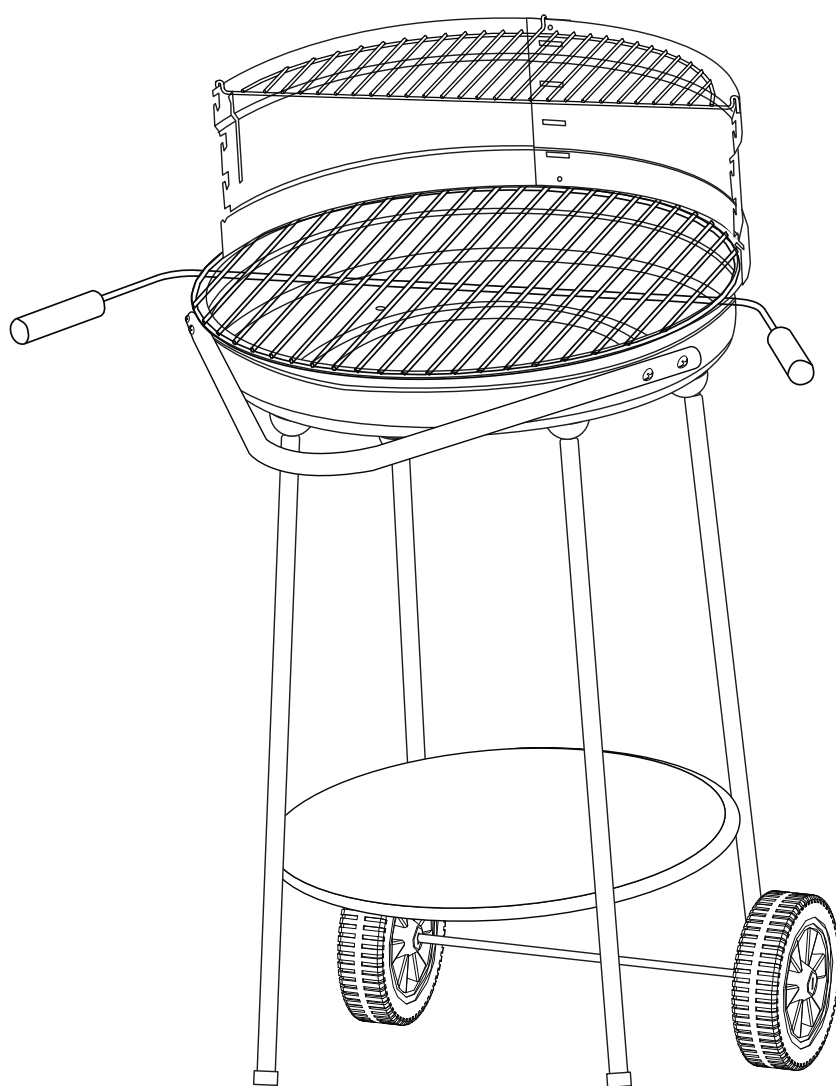
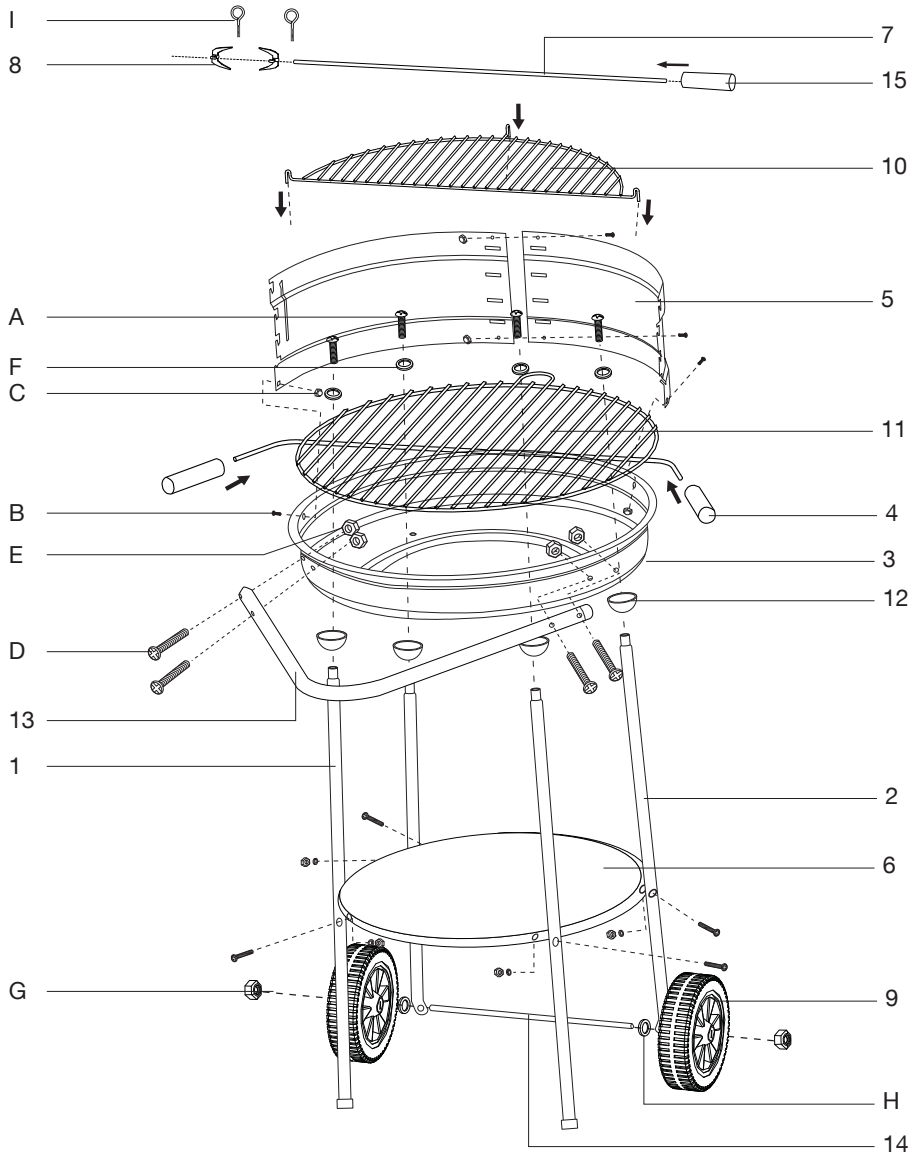










ADLER








EUROPE









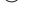


AD 6738

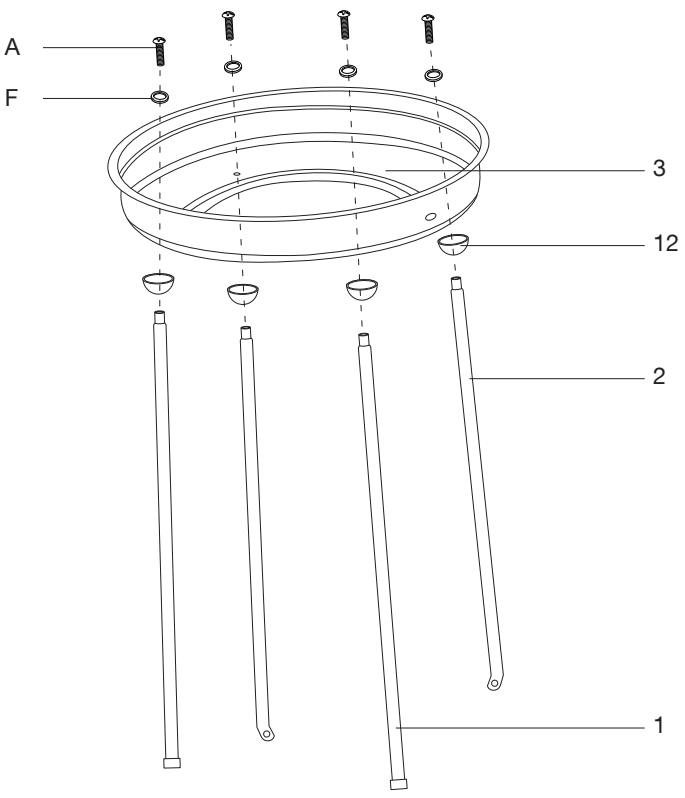




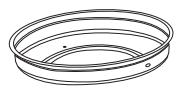



- 1 (2x) 
- 2 (2x) 
- 3 (1x) 
- 4 (2x) 
- 5 (1x) 
- 6 (1x) 
- 7 (1x) 
- 8 (2x) 

- 9 (2x) 
- 10 (1x) 
- 11 (1x) 
- 12 (4x) 
- 13 (1x) 
- 14 (1x) 
- 15 (1x) 

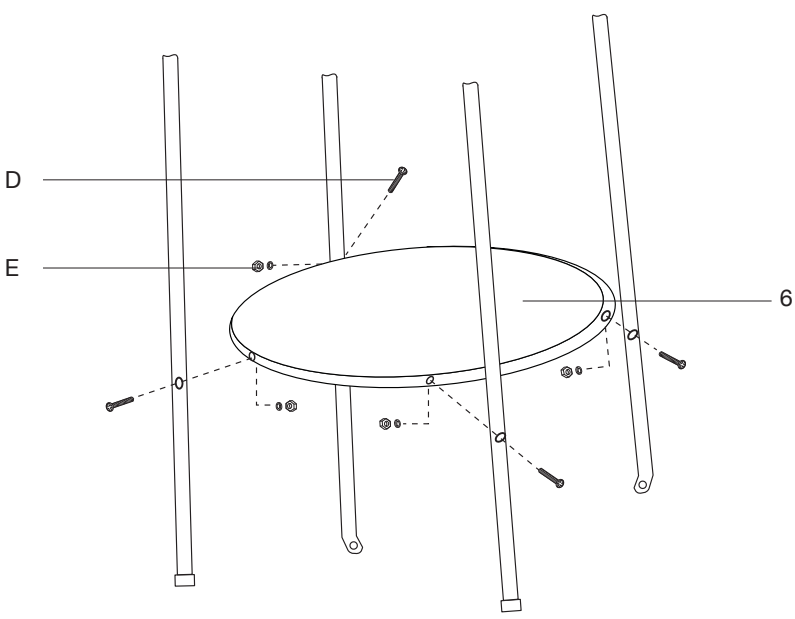
- A (4x) M6x25 
- B (4x) M5x10 
- C (4x) M5 
- D (8x) M5x30 
- E (8x) M5 
- F (4x) M6 
- G (2x) M8 
- H (2x) M8 
- I (2x) M4 




1







- 1 (2x) 
- 2 (2x) 
- 3 (1x) 
- 12 (4x) 
- A (4x) 
- F (4x) 

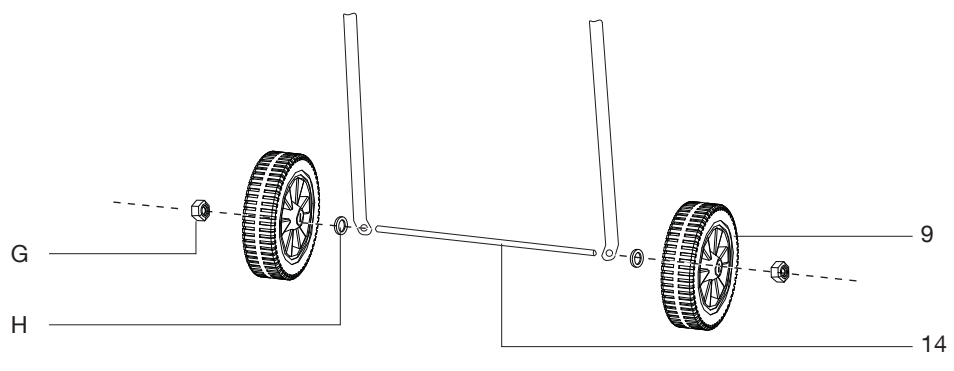
2






- 6 (1x) 
- D (4x) 
- E (4x) 

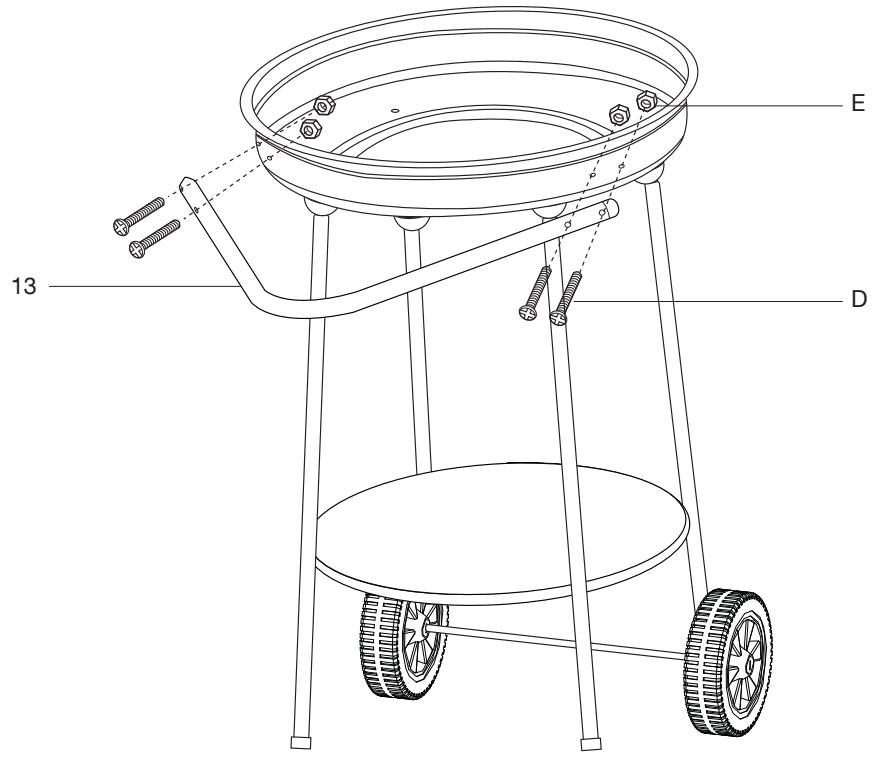
3

- 9 (2x) 
- 14 (1x) 
- G (2x) 
- H (2x) 

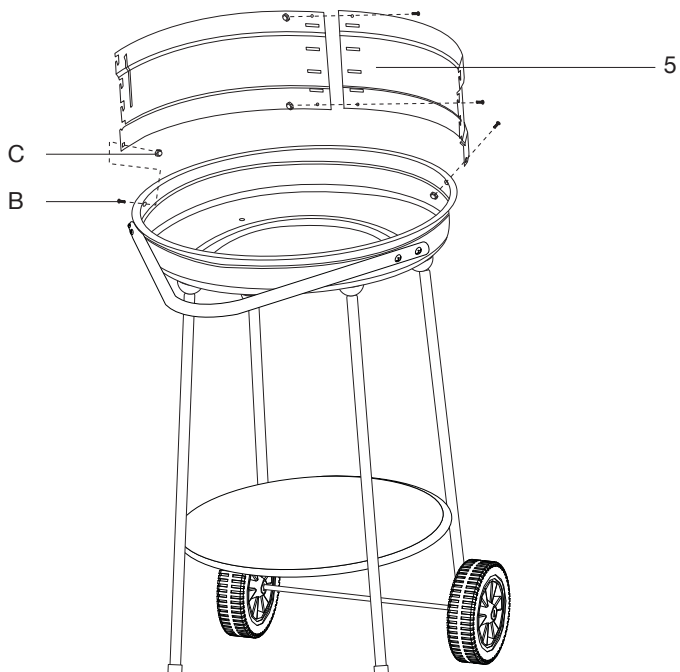


4

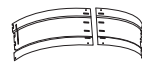
- 13 (1x) 
- D (4x) 
- E (4x) 



5



5 (1x)



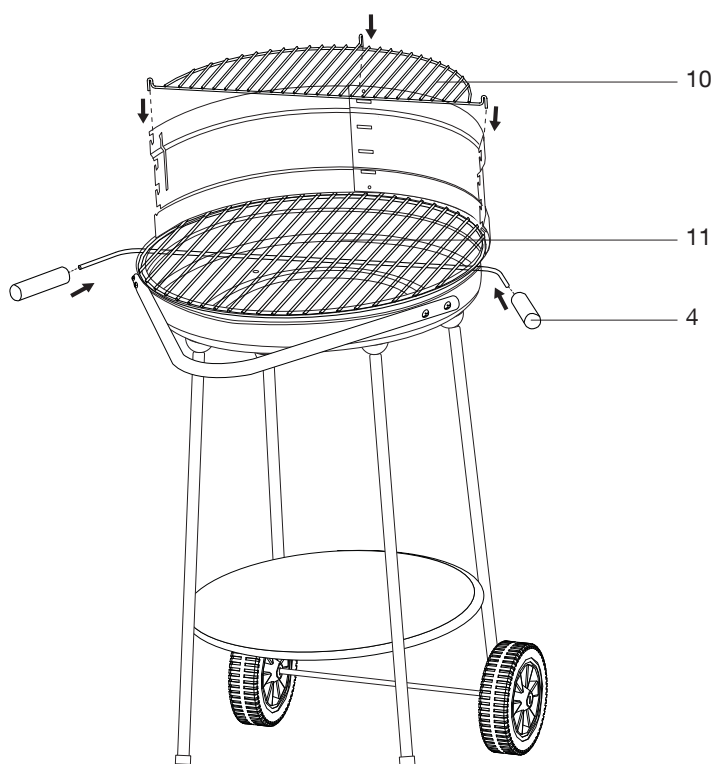
B (4x)



C (4x)



6



4 (2x)



10 (1x)







11 (1x)

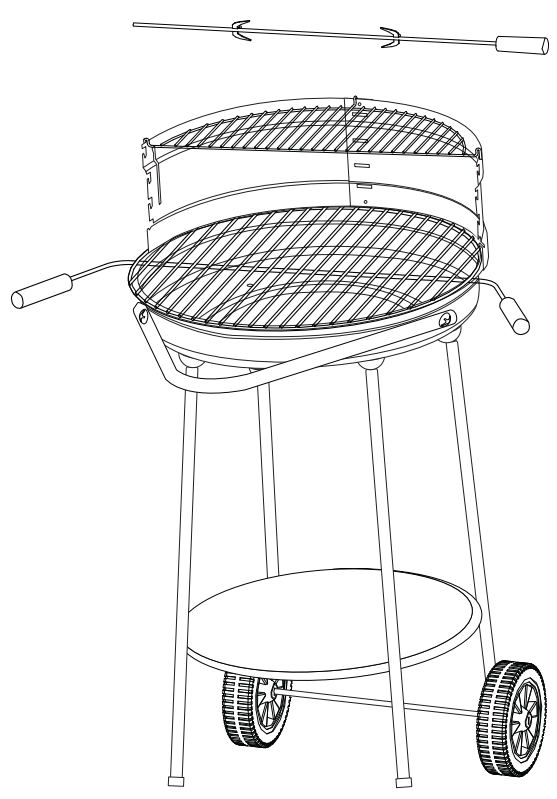


7



- 7 (1x) 
- 8 (2x) 
- 15 (1x) 
- 1 (2x) 

8



Care and Maintenance

Care

- Do not use water for cleaning the grill before it has cooled. The surface can be damaged.
- Tighten the screws if needed.
- Make sure that the air vents are not blocked by ashes.
- Store the charcoal in a dry place, making them easier to light. Use a plastic or metal container preferably, with a tight sealing lid.
- Store the grill in a dry place for extended storage.

Cleaning

After every use:

- Use a brass brush to scrape away food rests from the grill grate and other parts if needed.
- Do not use sharp objects to scrape grill's parts. The surface can be damaged.

Detailed cleaning:

1. Use warm water with washing-up liquid to clean the grill grate, charcoal grate and the entire grill.
2. Rinse completely with water.
3. Dry completely with paper towels. Do not let the grill air dry.
4. Brush vegetable oil onto the metal surfaces to prevent rust. However, do not use vegetable oil on the charcoal grate and the inside of the base.