

ADLER

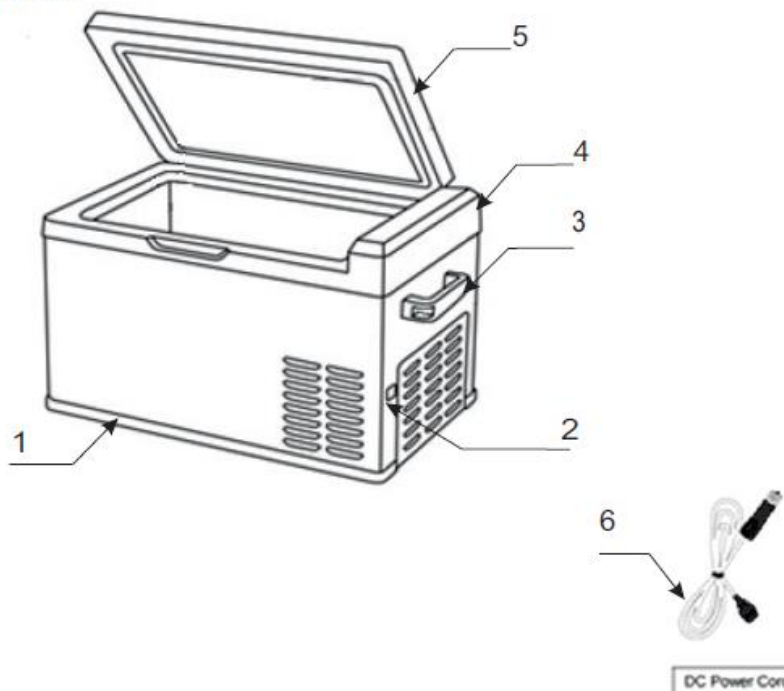
EUROPE



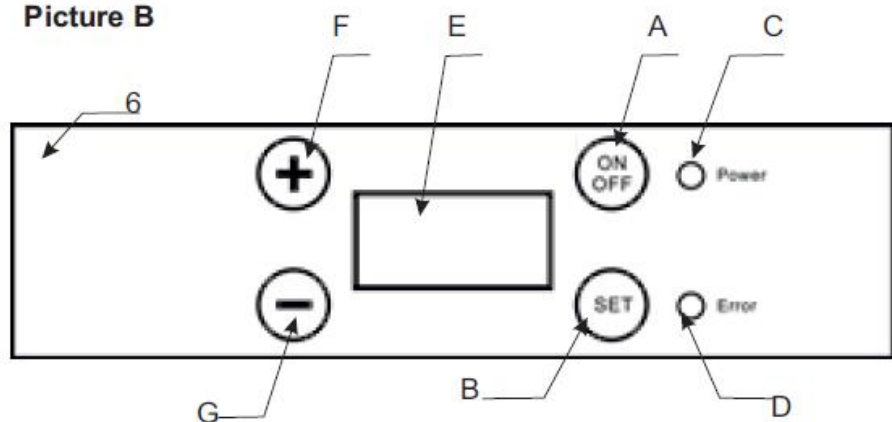
AD 8081

EN	User Manual	6	PL	Instrukcja obsługi	98
DE	Bedienungsanleitung	8	IT	Manuale d'uso	104
FR	Mode d'emploi	15	SV	Bruksanvisning	110
ES	Manual de usuario	21	BG	Ръководство за употреба	115
PT	Manual de Instruções	27	DA	Brugsanvisning	122
LT	Naudojimo instrukcija	33	SK	Používateľská príručka	127
LV	Lietošanas instrukcija	38	BS	Korisnički priručnik	133
ET	Kasutusjuhend	44	MK	Упатство за употреба	139
HU	Használati útmutató	50	HR	Korisnički priručnik	145
RO	Manual de utilizare	56	UK	Керівництво користувача	151
CS	Návod k použití	62	SR	Упутство за употребу	157
RU	Руководство пользователя	67	AR	دليل المستخدم	163
EL	Εγχειρίδιο χρήσης	74	AZ	İstifadəçi təlimatı	166
NL	Gebruikershandleiding	80	SQ	Manuali i përdorimit	172
SL	Navodila za uporabo	86	KA	ინსტრუქცია	178
FI	Käyttöohje	92			

Picture A



Picture B



AC: 220-240V~50/60Hz

DC: 12-24V \equiv

User Manual (EN)

GENERAL SAFETY CONDITIONS IMPORTANT SAFETY INSTRUCTIONS FOR USE READ CAREFULLY AND KEEP FOR FUTURE REFERENCE

1. Before using the device, read the instruction manual and follow the instructions contained therein. The manufacturer is not responsible for damage caused by using the device contrary to its intended use or improper operation.
2. The device is for non-commercial use only. Do not use for other purposes incompatible with its intended use.
3. The device should be connected to the "cigarette lighter" socket in the car with 12V or 24V, or to a 220-240 V ~ 50-60 Hz power outlet, as required. (Depending on the type of device, choose the appropriate power supply parameter).

In order to increase the safety of use, multiple electrical devices should not be connected to a single circuit at the same time.

4. Be especially careful when using the device when children are around. Do not allow children to play with the appliance do not allow children or persons unfamiliar with the appliance to use it.
5. **WARNING:** This equipment may be used by children over 8 years of age and persons with limited physical, sensory or mental ability, or persons without experience or familiarity with the equipment, if this is done under the supervision of a person responsible for their safety or they have been given instructions on the safe use of the equipment and are aware of the dangers associated with its use. Children should not play with the equipment. Cleaning and maintenance of the equipment should not be performed by children unless they are over 8 years of age and these activities are performed under supervision.
6. Always remove the plug from the power outlet after use by holding the outlet with your hand. **DO NOT** pull on the power cord.
7. Do not immerse the cord, plug and the entire device in water or other liquid. Do not expose the unit to weather conditions (rain, sun, etc.) or use in high humidity conditions (bathrooms, damp camping houses).
8. Periodically check the condition of the power cord. If the power cord is damaged, it should be replaced by a specialized repair facility to avoid danger.
9. Do not use the device with a damaged power cord or if it has been dropped or damaged in any other way or malfunctions. Do not repair the device

yourself, as there is a risk of electrocution. Return a damaged device to a competent service center for inspection or repair. Any repairs may be made only by authorized service centers. Improper repair may cause serious danger to the user.

10. Place the appliance on a cool stable, level surface that can withstand the weight of the appliance and all its contents, away from heating kitchen appliances such as an electric stove, gas burner, etc....

11. Do not use the device near flammable materials.

12. The power cord must not hang over the edge of the table or touch hot surfaces.

13. To provide additional protection, it is advisable to install in the electrical circuit, a residual current device (RCD) with a rated residual current of not more than 30 mA. In this regard, consult a specialist electrician.

14. Do not use the device if the connection sockets are wet.

15. When using the device in a car or boat, check that the fuse protecting the power supply system is in working order.

16. Protect the device from heat sources and sunlight.

17. Put already cooled products into the device.

18. Place the device in a place with proper ventilation. The distance from other objects should be at least 20 cm.

19. WARNING: Do not cover the ventilation holes in the housing of the device.

20. WARNING: Protect the circuit containing the refrigerant from damage.

21. WARNING: Do not use or store electrical equipment inside the food storage compartment.

22. WARNING: Opening the door for an extended period of time, may cause the temperature in the appliance chambers to rise significantly.

23. WARNING: Regularly clean surfaces that may come into contact with food.

24. WARNING: Store raw meat and fish in designated containers so that the products do not come into contact with each other, and so that they do not drip onto other food.

25. WARNING: If the refrigeration unit remains empty for a long time, turn it off, defrost, clean, dry and leave the door open to prevent mold from forming in the unit.

26. WARNING: Do not store explosive materials, such as cans containing flammable aerosol, etc., inside the refrigerator.

27. WARNING: When setting up the unit, make sure the power cord is not

pinched by the refrigerator, or damaged.

28. **WARNING:** Do not place extension cords or portable power supplies near or behind the unit.

29. **WARNING:** Do not use mechanical devices or agents to accelerate the defrosting process, other than those recommended by the manufacturer.

Before first use: Proper location

1. Before first use, remove all packaging and leave at least 15 cm of free space around the appliance (5 cm on the side, 10 cm on the back of the appliance).

2. Place the refrigerator in a dry and well-ventilated place. Store the refrigerator away from direct sunlight, heaters and corrosive gases.

NOTE: Since the operation of the unit is based on the compressor, a large space is required around the unit to allow for proper venting.

CAUTION: It is not recommended to move the unit if the floor is not smooth. Do not use if the refrigerator is tilted. If the refrigerator is dragged to the place to be used, place it upright and wait 10 minutes before using it. When moving the refrigerator, always use both handles to carry the unit as horizontally as possible. This is to protect the compressor and the sealed system

WARNING: Use at least two people to move and handle this appliance. Failure to heed this warning may result in back or other injuries.

3. If possible, store the portable refrigerator away from heat and direct sunlight.

4. The portable refrigerator is suitable for use in a car and camping, but the unit should not be exposed to rain or other harsh weather conditions.

5. The portable refrigerator should not be placed in a built-in or recessed area. The unit is designed to be freestanding.

6. Normal operation of the refrigerator depends on heat radiation from the condenser.

7. Clean the inner surface with a little lukewarm water and a soft cloth.

Note: When connecting the DC power cord, make sure the input is a 12 V ~ DC / 24 V power source.

IMPORTANT: Do not remove any warning, caution or product information labels from the portable car refrigerator.

DEVICE DESCRIPTION Portable refrigerator - Figure A

1. Base
2. Plug socket
3. Holder
4. Frame
5. Cover
6. Control panel
7. DC power cord - for use when traveling, plug directly into car cigarette lighter

CONTROL PANEL - Figure B

A - ON/OFF power button

B - SET button

C - Power indicator

D - Error indicator

E - LCD display

F - "+" button

G - "-" button

OPERATION

- When attempting to plug a portable refrigerator into a standard 12-volt outlet, the unit will not operate if the outlet has a voltage below 9.6 volts. The unit will restart when the voltage reaches 12.2 V or more.

- When trying to plug the unit into a standard 24-volt outlet, the unit will not operate if the outlet has a voltage of less than 21.3 volts. The device will restart when the voltage reaches 25.2 V or more.

- The unit can also be connected to 230V ~50/60Hz mains power after using an external power supply (not included). The recommended AC/DC power supply model is CR8076.1.

CONTROL PANEL (7) - Figure B

Your portable refrigerator uses a digital control system to adjust the thermostat.

* Power button (A) - ON. / OFF.

1. Connect the refrigerator to a power source, press the power button (A) once to turn the unit on.
2. Press the power button (A) again, the refrigerator will turn off.

* SET button :

Long press SET button for 3 seconds and enter advanced modes:

ITMODE OF VOLTAGE PROTECTION:

The unit has three battery protection functions that protect the normal operation of the refrigerator and protect the vehicle battery.

These three levels of battery protection:

H3 - high level of protection

for 12 volts: stops at 10.9 volts and starts at 12.2 volts.

for 24 V: stops at 23.8 V and starts operation at 25.2 V.

H2 - average protection level

for 12 V: stops at 9.7 V and starts operation at 11.0 V.

for 24 V: stops at 21.5 V and starts operation at 22.9 V.

H1 - low protection level:

for 12 V: stops at 9.6 V and starts operation at 10.9 V.

for 24 V: stops at 21.3 V and starts operation at 22.7 V.

Briefly press the "+" or "-" button to select the function. The function is set to medium protection level "H2" when the refrigerator is ready for the first use.

NOTES:

It is recommended to set the battery protection to H2 (medium level) when the unit is used in a car.

It is recommended to set the battery protection to H2 (medium level) or H1 (low level) if it is an external battery or a backup battery.

Due to the difference in output voltage from different outputs of the vehicle's power supply, if there is voltage protection (LCD display shows F1), the battery function may be reduced to a lower one (H3 is switched to H2 or H1).

* The "+" button (F) is used to increase the temperature or other settings described above.

* The "-" button (G) is used to lower the temperature or other settings described above.

* Power indicator (C):

- When the refrigerator is on, the indicator light is red.
- When the refrigerator is off, the light goes out.

* Error indicator (D):

- In case of a malfunction, the buzzer will ring continuously.
- Fault codes will appear on the screen.
- The fault indicator (D) will light up in blue.

* LCD display (E): shows

- Displays the temperature and other settings.
- Fault codes may appear on the screen, as below:

F1: Voltage failure

F2: Fan current failure

F3: Compressor start-up error

F4: Minimum compressor speed failure

F5: Controller temperature error

E0: Interrupted sensor circuit

E1: Sensor short circuit

The LCD display allows you to set the temperature from -20°C to +20°C. The realistically achieved temperature inside the unit depends on the external conditions. For example, at an ambient temperature of +25°C, the lowest achieved temperature inside the unit is -20°C. The unit does not have a heating function.

NOTE: If the system malfunctions, first check whether the battery voltage is correct. If the battery voltage is correct, wait 3 minutes before turning on the refrigerator. If the system still malfunctions after restarting the unit, contact the service center for assistance.

Common temperature settings for storage:

- Wine (from +6 °C to +18 °C)
- Vaccines, Insulin (from + 2 °C to - 8 °C)
- Fruits (from 4 °C to - 6 °C)
- Beverages (from 2 °C to - 5 °C)
- Meat (-10 °C)
- Ice cream (-15 °C)

Be cautious if you want to store medicines in the refrigerator. Before putting in the unit, food should be packed in containers / bags designed for this purpose.

CLEANING AND MAINTENANCE

Always unplug the unit before cleaning.

Clean with a soft, dry cloth using mild detergents. Do not use chemical solvents, as they may cause permanent damage or deformation to the unit.

TROUBLESHOOTING

Follow the troubleshooting guide below to solve common problems.

Problem I: The device does not work at all and shows no signs of power.

Possible cause 1: The device is not powered.

Solution to possible cause 1: Make sure the device is plugged in.

Possible cause 2: Insufficient power.

Solution for possible cause 2: Move the device to another outlet. Check the circuit breaker. (Refer to the nameplate on the back of the unit to determine the power consumption).

Possible cause 3: DC power cord

Solution for Possible Cause 4: Test the unit with another power supply, such as another vehicle with a known working DC outlet.

Possible cause 4: Disconnected wires.

Solution for possible cause 5: Contact customer service.

Problem II: The device makes strange sounds.

Possible cause 1: The device is not level.

Solution 1: Move the device to a flat, level surface.

Problem III: The unit makes a loud, continuous metallic tapping sound.

Possible Cause 1: The unit may have been sent on its side.

Solution 1: Turn off the unit. Leave the unit on a level surface for at least 24 hours and restart it.

Possible cause 2: Defective compressor

Solution 2: Contact customer service.

Problem IV: The unit operates for a while and then triggers the power cord or circuit breaker.

Possible cause: The device may be plugged into an outlet that does not supply adequate power.

Solution: Contact an electrician if the unit is operating in another room or circuit.

Problem V: The control panel lights flash randomly.

Possible cause: The unit may have a defective control panel.

Solution: Restart the device, and if the problem persists, contact customer service.

Problem VI: There is an HH error on the device

Possible cause: the ambient temperature exceeded 40 °C.

Solution: Restart the device, and if the problem persists, contact customer service.

Problem VII: There is an OC error in the device.

Possible cause: A thermostat error has been detected.

Solution: Restart the unit, and if the problem persists, contact customer service.

Problem VIII: An S.C. error has occurred in the unit.

Possible cause: A short circuit was detected in the thermostat.

Solution: Restart the unit, and if the problem persists, contact customer service.

Problem IX: The unit is powered, but the compressor does not work.

Possible cause 1: The ambient temperature is too low.

Solution 1: Move the unit to a warmer place.

Possible cause 2: Disconnected cable.

Solution 2: Contact customer service.

CAUTION: RISK OF FIRE / FLAMMABLE MATERIALS



TECHNICAL DATA

Capacity: 40 liters

Power supply:

- DC 12V / 24V - car cigarette lighter socket

- 230V ~50/60Hz - mains socket after using an external power adapter (not included)

Refrigerant: R600a / 40g

Climate class: S / SN

Insulation: C5H10

Rated power consumption: 45W

Maximum rated current: 3.7A

For the sake of the environment. Cardboard packaging and polyethylene (PE) bags should be disposed of in the appropriate containers for separate collection of municipal waste according to their description. If there are batteries in the device, remove them and separately return them to the collection and storage facility. Return the used device to a suitable collection and storage facility, as the hazardous substances in it may pose a threat to health and the environment. The marking on the product indicates that the device should not be disposed of in the container with municipal waste. Waste electrical equipment, is waste that contains substances harmful to humans, animals and the environment. These substances can lead to contamination of the soil, water or air, and through this they can get into the human body and lead to numerous health ailments, such as: vision, hearing, speech disorders, they can also lead to kidney, liver and heart damage, and cause skin diseases. Harmful substances can also have adverse effects on the respiratory and reproductive systems and lead to cancerous changes. Consumption of plants growing on the composted of soils, and products made from them may risk the above-mentioned health effects. **Do not dispose of the device in the municipal waste container!!!**



Service If you wish to purchase spare parts or report any complaints, please contact directly with the seller who issued the receipt.

Bedienungsanleitung (DE)

ALLGEMEINE SICHERHEITSBEDINGUNGEN
WICHTIGE SICHERHEITSHINWEISE FÜR DEN GEBRAUCH
SORGFÄLTIG LESEN UND AUFBEWAHREN

1. Lesen Sie die Bedienungsanleitung vor der Benutzung des Geräts und befolgen Sie die darin enthaltenen Anweisungen. Der Hersteller haftet nicht für Schäden, die durch nicht bestimmungsgemäßen Gebrauch oder unsachgemäße

Handhabung des Geräts entstehen.

2. Das Gerät ist nur für den nicht-kommerziellen Gebrauch bestimmt.

Verwenden Sie es nicht für andere Zwecke, die nicht mit seiner Bestimmung vereinbar sind.

3. Das Gerät sollte je nach Bedarf an eine "Zigarettenanzünder"-Steckdose im Auto mit 12V oder 24V oder an eine Netzsteckdose 220-240 V ~ 50-60 Hz angeschlossen werden. (Wählen Sie je nach Gerätetyp die entsprechenden Stromversorgungsparameter).

Um die Betriebssicherheit zu erhöhen, sollten nicht mehrere Elektrogeräte gleichzeitig an einen Stromkreis angeschlossen werden.

4. Seien Sie besonders vorsichtig, wenn Sie das Gerät in Anwesenheit von Kindern benutzen. Erlauben Sie Kindern nicht, mit dem Gerät zu spielen.

Erlauben Sie Kindern oder anderen Personen, die nicht mit dem Gerät vertraut sind, es nicht zu benutzen.

5. **WARNUNG:** Dieses Gerät kann von Kindern über 8 Jahren und Personen mit eingeschränkten körperlichen, sensorischen oder geistigen Fähigkeiten oder Personen ohne Erfahrung oder Kenntnis des Geräts benutzt werden, wenn dies unter der Aufsicht einer für ihre Sicherheit verantwortlichen Person geschieht oder wenn sie Anweisungen zum sicheren Gebrauch des Geräts erhalten haben und sich der mit dem Gebrauch verbundenen Gefahren bewusst sind. Kinder sollten nicht mit dem Gerät spielen. Die Reinigung und Wartung des Geräts sollte nicht von Kindern durchgeführt werden, es sei denn, sie sind älter als 8 Jahre und die Tätigkeit wird unter Aufsicht durchgeführt.

6. Ziehen Sie nach dem Gebrauch immer den Stecker aus der Steckdose, indem Sie die Steckdose mit der Hand festhalten. Ziehen Sie NICHT am Netzkabel.

7. Tauchen Sie das Kabel, den Stecker oder das gesamte Gerät NICHT in Wasser oder eine andere Flüssigkeit ein. Setzen Sie das Gerät nicht den Witterungsbedingungen (Regen, Sonne usw.) aus und verwenden Sie es nicht in feuchten Räumen (Badezimmer, feuchte Wohnmobile).

8. Überprüfen Sie regelmäßig den Zustand des Netzkabels. Wenn das Netzkabel beschädigt ist, muss es von einem Fachmann ausgetauscht werden, um Gefahren zu vermeiden.

9. Benutzen Sie das Gerät nicht mit einem beschädigten Netzkabel oder wenn es heruntergefallen ist oder auf andere Weise beschädigt wurde oder nicht richtig funktioniert. Reparieren Sie das Gerät nicht selbst, es besteht die Gefahr eines Stromschlags. Bringen Sie das beschädigte Gerät zur Inspektion oder Reparatur zu einer kompetenten Kundendienststelle. Reparaturen dürfen nur von autorisierten Servicestellen durchgeführt werden. Eine unsachgemäße

Reparatur kann eine ernsthafte Gefahr für den Benutzer darstellen.

10. Stellen Sie das Gerät auf eine kühle, stabile und ebene Fläche, die das Gewicht des Geräts und seines gesamten Inhalts tragen kann, und nicht in der Nähe von heißen Küchengeräten wie Elektroherd, Gasbrenner usw.

11. Verwenden Sie das Gerät nicht in der Nähe von brennbaren Materialien.

12. Das Netzkabel darf nicht über die Tischkante hängen oder heiße Oberflächen berühren.

13. Als zusätzlichen Schutz empfiehlt es sich, im Stromkreis einen Fehlerstromschutzschalter (RCD) mit einem Nennfehlerstrom von höchstens 30 mA zu installieren. Ziehen Sie dazu einen Elektrofachmann zu Rate.

14. Verwenden Sie das Gerät nicht, wenn die Anschlussbuchsen nass sind.

15. Wenn Sie das Gerät in einem Auto oder auf einem Boot benutzen, vergewissern Sie sich, dass die Sicherung des Stromnetzes in Ordnung ist.

16. Schützen Sie das Gerät vor Wärmequellen und Sonnenlicht.

17. Stellen Sie bereits gekühlte Produkte in das Gerät.

18. Stellen Sie das Gerät an einem gut belüfteten Ort auf. Der Abstand zu anderen Gegenständen sollte mindestens 20 cm betragen.

19. WARNUNG: Blockieren Sie nicht die Lüftungsöffnungen im Gerätegehäuse.

20. WARNUNG: Schützen Sie den Kreislauf, der das Kältemittel enthält, vor Beschädigungen.

21. WARNUNG: Verwenden oder lagern Sie keine elektrischen Geräte im Inneren des Lebensmittellagerfachs.

22. WARNUNG: Wenn die Tür über einen längeren Zeitraum geöffnet wird, kann die Temperatur in den Fächern des Geräts stark ansteigen.

23. WARNUNG: Reinigen Sie Oberflächen, die mit Lebensmitteln in Berührung kommen können, regelmäßig.

24. WARNUNG: Bewahren Sie rohes Fleisch und rohen Fisch in dafür vorgesehenen Behältern auf, damit die Produkte nicht miteinander in Berührung kommen und nicht auf andere Lebensmittel tropfen können.

25. WARNUNG: Wenn das Kühlgerät längere Zeit leer bleibt, schalten Sie es aus, tauen Sie es ab, reinigen und trocknen Sie es und lassen Sie die Tür offen, um Schimmelbildung im Gerät zu vermeiden.

26. WARNUNG: Bewahren Sie keine explosiven Materialien wie Dosen mit brennbarem Aerosol usw. im Kühlschrank auf.

27. WARNUNG: Achten Sie beim Aufstellen des Geräts darauf, dass das Netzkabel nicht durch den Kühlschrank eingeklemmt oder beschädigt wird.

28. WARNUNG: Legen Sie keine Verlängerungskabel oder tragbare Netzteile

in die Nähe oder hinter das Gerät.

29. WARNUNG: Verwenden Sie keine anderen als die vom Hersteller empfohlenen mechanischen Vorrichtungen oder Abtaubeschleuniger.

Vor dem ersten Gebrauch: Richtiger Standort

1. Entfernen Sie vor der ersten Inbetriebnahme alle Verpackungsmaterialien und lassen Sie um das Gerät herum einen Freiraum von mindestens 15 cm (5 cm an der Seite, 10 cm an der Rückseite des Geräts).

2. Stellen Sie den Kühlschrank an einem trockenen und gut belüfteten Ort auf. Lagern Sie den Kühlschrank fern von direktem Sonnenlicht, Heizungen und korrosiven Gasen.

HINWEIS: Da das Gerät mit einem Kompressor betrieben wird, ist um das Gerät herum ausreichend Platz erforderlich, um eine ordnungsgemäße Entlüftung zu ermöglichen.

HINWEIS: Es wird nicht empfohlen, das Gerät zu bewegen, wenn der Boden nicht glatt ist. Verwenden Sie das Gerät nicht, wenn es gekippt ist. Wenn der Kühlschrank an den Ort geschleppt wird, an dem er benutzt werden soll, stellen Sie ihn aufrecht hin und warten Sie 10 Minuten, bevor Sie ihn benutzen. Verwenden Sie beim Transport des Kühlschranks immer beide Griffe, um das Gerät so waagrecht wie möglich zu tragen. Dies dient dem Schutz des Kompressors und des abgedichteten Systems

WARNUNG: Lassen Sie dieses Gerät von mindestens zwei Personen transportieren und bedienen. Die Nichtbeachtung dieser Warnung kann zu Rücken- oder anderen Verletzungen führen.

3. Lagern Sie den tragbaren Kühlschrank nach Möglichkeit nicht in der Nähe von Hitze und direktem Sonnenlicht.

4. Der tragbare Kühlschrank ist für die Verwendung im Auto und auf dem Campingplatz geeignet, sollte aber nicht Regen oder anderen rauen Wetterbedingungen ausgesetzt werden.

5. Der tragbare Kühlschrank sollte nicht in einem Einbauplatz oder in einer Nische aufgestellt werden. Das Gerät ist für eine freistehende Aufstellung konzipiert.

6. Der normale Betrieb des Kühlschranks hängt von der Wärmeabstrahlung des Verflüssigers ab.

7. Reinigen Sie die Innenfläche mit etwas lauwarmem Wasser und einem weichen Tuch.

Hinweis: Achten Sie beim Anschluss des Gleichstromkabels darauf, dass der Eingang eine 12 V ~ DC / 24 V Stromquelle ist.

WICHTIG: Entfernen Sie keine Warn-, Vorsichts- oder Produktinformationsschilder von dem tragbaren Autokühlschrank.

GERÄTEBESCHREIBUNG Tragbarer Kühlschrank - Abbildung A

1. Sockel
2. Steckdose
3. Halterung
4. Rahmen
5. Deckel
6. Bedienfeld
7. Gleichstromkabel - für unterwegs, direkt in den Zigarettenanzünder des Autos einstecken

BEDIENFELD - Abbildung B

A - EIN/AUS-Schalter

B - SET-Taste

C - Betriebsanzeige

D - Fehleranzeige

E - LCD-Anzeige

F - "+"-Taste

G - "-"-Taste

BETRIEB

- Wenn Sie versuchen, den tragbaren Kühlschrank an eine normale 12-V-Steckdose anzuschließen, wird das Gerät nicht funktionieren, wenn die Spannung der Steckdose unter 9,6 V liegt. Das Gerät schaltet sich wieder ein, wenn die Spannung 12,2 V oder mehr erreicht.

- Wenn Sie versuchen, das Gerät an eine normale 24-Volt-Steckdose anzuschließen, funktioniert das Gerät nicht, wenn die Steckdose eine Spannung von weniger als 21,3 Volt aufweist. Das Gerät schaltet sich wieder ein, wenn die Spannung 25,2 V oder mehr erreicht.

- Bei Verwendung eines externen Netzteils (nicht im Lieferumfang enthalten) kann das Gerät auch an eine Netzspannung von 230 V ~50/60 Hz angeschlossen werden. Das empfohlene AC/DC-Netzteilmodell ist CR8076.1.

BEDIENFELD (7) - Abbildung B

Ihr tragbarer Kühlschrank verwendet ein digitales Steuersystem zur Einstellung des Thermostats.

* Einschalttaste (A) - ON. / AUS.

1. Schließen Sie den Kühlschrank an eine Stromquelle an und drücken Sie die Einschalttaste (A) einmal, um das Gerät einzuschalten.
2. Drücken Sie die Netztaaste (A) erneut, um den Kühlschrank auszuschalten.

* SET-Taste :

Halten Sie die SET-Taste 3 Sekunden lang gedrückt, um die erweiterten Modi aufzurufen:

ITMODUS DES SPANNUNGSSCHUTZES:

Das Gerät verfügt über drei Batterieschutzfunktionen, die den normalen Betrieb des Kühlschranks schützen und die Fahrzeugbatterie schützen.

Diese drei Stufen des Batterieschutzes:

H3 - hohe Schutzstufe

für 12 V: stoppt bei 10,9 V und beginnt bei 12,2 V.

für 24 V: stoppt bei 23,8 V und startet bei 25,2 V.

H2 - mittleres Schutzniveau

für 12 V: stoppt bei 9,7 V und startet bei 11,0 V.

für 24 V: stoppt bei 21,5 V und startet bei 22,9 V.

H1 - niedriges Schutzniveau:

für 12 V: stoppt bei 9,6 V und startet bei 10,9 V.

für 24 V: stoppt bei 21,3 V und startet bei 22,7 V.

Drücken Sie kurz die Taste "+" oder "-", um die Funktion zu wählen. Die Funktion ist auf die mittlere Schutzstufe "H2" eingestellt, wenn der Kühlschrank zum ersten Mal in Betrieb genommen wird.

HINWEIS:

Es wird empfohlen, den Batterieschutz auf H2 (mittlere Stufe) einzustellen, wenn das Gerät in einem Auto verwendet wird.

Es wird empfohlen, den Batterieschutz auf H2 (mittleres Niveau) oder H1 (niedriges Niveau) einzustellen, wenn es sich um eine externe Batterie oder eine Backup-Batterie handelt.

Aufgrund der unterschiedlichen Ausgangsspannung der verschiedenen Ausgänge der Fahrzeugstromversorgung kann die Batteriefunktion bei einem Spannungsschutz (LCD-Display zeigt F1 an) auf einen niedrigeren Wert reduziert werden (H3 wird auf H2 oder H1 umgeschaltet).

* Mit der '+'-Taste (F) können Sie die Temperatur oder andere oben beschriebene Einstellungen erhöhen.

* Mit der '-'-Taste (G) können Sie die Temperatur oder andere oben beschriebene Einstellungen verringern.

* Betriebsanzeige (C):

- Wenn der Kühlschrank eingeschaltet ist, leuchtet die Anzeige rot.
- Wenn der Kühlschrank ausgeschaltet wird, erlischt die Leuchte.

* Fehleranzeige (D):

- Im Falle einer Störung ertönt der Summer kontinuierlich.
- Die Fehlercodes werden auf dem Bildschirm angezeigt.
- Die Störungsanzeige (D) leuchtet blau auf.

* LCD-Anzeige (E): zeigt

- Zeigt die Temperatur und andere Einstellungen an.
- Auf dem Bildschirm können Fehlercodes erscheinen (siehe unten):

F1: Spannungsausfall

F2: Lüfterstromfehler

F3: Fehler beim Anlauf des Verdichters

F4: Fehler bei minimaler Verdichterdrehzahl

F5: Fehler der Regler Temperatur

E0: Unterbrochener Fühlerkreis

E1: Fühlerkurzschluss

Auf der LCD-Anzeige kann die Temperatur von -20°C bis +20°C eingestellt werden. Die tatsächlich erreichte Temperatur im Inneren des Geräts hängt von den äußeren Bedingungen ab. Bei einer Umgebungstemperatur von +25°C beträgt die niedrigste im Gerät erreichte Temperatur beispielsweise -20°C. Das Gerät verfügt nicht über eine Heizfunktion.

HINWEIS: Wenn das System nicht funktioniert, überprüfen Sie zunächst, ob die Batteriespannung korrekt ist. Wenn die Batteriespannung korrekt ist, warten Sie 3 Minuten, bevor Sie den Kühlschrank einschalten. Wenn das System nach dem Neustart des Geräts immer noch nicht richtig funktioniert, wenden Sie sich an den Kundendienst.

Übliche Temperatureinstellungen für die Lagerung:

- Wein (+ 6 °C bis +18 °C)
- Impfstoffe, Insulin (von + 2 °C bis - 8 °C)
- Obst (von 4 °C bis - 6 °C)
- Getränke (2 °C bis - 5 °C)
- Fleisch (-10 °C)
- Speiseeis (-15 °C)

Seien Sie vorsichtig, wenn Sie Medikamente im Kühlschrank aufbewahren wollen und verpacken Sie die Lebensmittel in dafür vorgesehene Behälter/Beutel, bevor Sie sie in das Gerät stellen.

REINIGUNG UND WARTUNG

Ziehen Sie vor der Reinigung des Geräts immer den Netzstecker.

Reinigen Sie das Gerät mit einem weichen, trockenen Tuch und milden Reinigungsmitteln. Verwenden Sie keine chemischen Lösungsmittel, da diese das Gerät dauerhaft beschädigen oder verformen können.

FEHLERSUCHE

Befolgen Sie die nachstehende Anleitung zur Fehlerbehebung, um häufige Probleme zu beheben.

Problem I: Das Gerät funktioniert überhaupt nicht und zeigt kein Anzeichen von Strom an.

Mögliche Ursache 1: Das Gerät ist nicht eingeschaltet.

Lösung für mögliche Ursache 1: Stellen Sie sicher, dass das Gerät angeschlossen ist.

Mögliche Ursache 2: Unzureichende Stromversorgung.

Lösung für die mögliche Ursache 2: Stellen Sie das Gerät an eine andere Steckdose. Überprüfen Sie den Schutzschalter. (Die Stromaufnahme ist auf dem Typenschild auf der Rückseite des Geräts angegeben).

Mögliche Ursache 3: DC-Netzkabel

Lösung für mögliche Ursache 4: Testen Sie das Gerät mit einer anderen Stromquelle, z. B. einem anderen Fahrzeug mit einer bekanntermaßen funktionierenden Gleichstromsteckdose.

Mögliche Ursache 4: Abgetrennte Drähte.

Lösung für mögliche Ursache 5: Wenden Sie sich an den Kundendienst.

Problem II: Das Gerät macht seltsame Geräusche.

Mögliche Ursache 1: Das Gerät ist nicht waagrecht.

Lösung 1: Stellen Sie das Gerät auf eine flache, ebene Oberfläche.

Problem III: Das Gerät macht ein lautes, anhaltendes metallisches Klopfgeräusch.

Mögliche Ursache 1: Das Gerät kann auf die Seite gelegt worden sein.

Lösung 1: Schalten Sie das Gerät aus. Lassen Sie das Gerät mindestens 24 Stunden lang auf einer ebenen Fläche stehen und starten Sie es erneut.

Mögliche Ursache 2: Defekter Kompressor

Lösung 2: Wenden Sie sich an den Kundendienst.

Problem IV: Das Gerät läuft eine Zeit lang und löst dann das Netzkabel oder den Schutzschalter aus.

Mögliche Ursache: Das Gerät ist möglicherweise an eine Steckdose angeschlossen, die nicht genügend Strom liefert.

Lösung: Wenden Sie sich an einen Elektriker, wenn das Gerät in einem anderen Raum oder Stromkreis betrieben wird.

Problem V: Die Lichter auf dem Bedienfeld blinken unregelmäßig.

Mögliche Ursache: Das Gerät hat möglicherweise ein defektes Bedienfeld.

Lösung: Starten Sie das Gerät neu. Wenn das Problem weiterhin besteht, wenden Sie sich an den Kundendienst.

Problem VI: Am Gerät ist ein HH-Fehler aufgetreten

Mögliche Ursache: Die Umgebungstemperatur hat 40°C überschritten.

Lösung: Starten Sie das Gerät neu, und wenn das Problem weiterhin besteht, wenden Sie sich an den Kundendienst.

Problem VII: Im Gerät ist ein OC-Fehler aufgetreten.

Mögliche Ursache: Es wurde ein Thermostatfehler festgestellt.

Lösung: Starten Sie das Gerät neu, und wenn das Problem weiterhin besteht, wenden Sie sich an den Kundendienst.

Problem VIII: Im Gerät ist ein S.C.-Fehler aufgetreten.

Mögliche Ursache: Es wurde ein Kurzschluss im Thermostat festgestellt.

Lösung: Starten Sie das Gerät neu und wenden Sie sich an den Kundendienst, wenn das Problem weiterhin besteht.

Problem IX: Das Gerät ist eingeschaltet, aber der Kompressor funktioniert nicht.

Mögliche Ursache 1: Die Umgebungstemperatur ist zu niedrig.

Lösung 1: Stellen Sie das Gerät an einen wärmeren Ort.

Mögliche Ursache 2: Abgeklemmtes Kabel.

Lösung 2: Wenden Sie sich an den Kundendienst.

VORSICHT: FEUERGEFAHR / BRENNBARES MATERIAL



TECHNISCHE DATEN

Fassungsvermögen: 40 Liter

Stromanschluss:

- DC 12V / 24V - Zigarettenanzünderbuchse

- 230V ~50/60Hz - Netzsteckdose nach Verwendung eines externen Netzteils (nicht im Lieferumfang enthalten)

Kältemittel: R600a / 40g

Klimaklasse: S / SN

Isolierung: C5H10

Nennleistungsaufnahme: 45W

Maximaler Nennstrom: 3,7A

Der Umwelt zuliebe. Pappverpackungen und Polyethylen (PE)-Beutel müssen in den entsprechenden Behältern für die getrennte Sammlung von Siedlungsabfällen entsprechend ihrer Beschreibung entsorgt werden. Wenn das Gerät Batterien enthält, müssen diese entfernt und separat in einer Sammel- und Lagereinrichtung entsorgt werden. Das Altgerät muss zu einer geeigneten Sammel- und Lagerstelle gebracht werden, da die darin enthaltenen gefährlichen Stoffe eine Gefahr für die Gesundheit und die Umwelt darstellen können. Die Kennzeichnung auf dem Produkt weist darauf hin, dass das Gerät nicht über die Hausmülltonne entsorgt werden darf. Elektroaltgeräte sind Abfälle, die Stoffe enthalten, die für Menschen, Tiere und die Umwelt schädlich sind. Diese Stoffe können den Boden, das Wasser oder die Luft verunreinigen, wodurch sie in den menschlichen Körper gelangen und zu einer Reihe von Gesundheitsproblemen wie Seh-, Hör- und Sprachstörungen, Nieren-, Leber- und Herzschäden sowie Hauterkrankungen führen können. Die Schadstoffe können sich auch negativ auf die Atemwege und das Fortpflanzungssystem auswirken und zu krebsartigen Veränderungen führen. Der Verzehr von Pflanzen, die auf den betroffenen Böden wachsen, und von Produkten, die daraus hergestellt werden, kann zu den oben genannten gesundheitlichen Auswirkungen führen. **Entsorgen Sie das Gerät nicht über die Hausmülltonne!**



Kundendienst Wenn Sie Ersatzteile kaufen möchten oder Beschwerden haben, wenden Sie sich bitte wenden Sie sich bitte direkt an den Händler, der die Quittung ausgestellt hat.

Mode d'emploi (FR)

CONDITIONS GÉNÉRALES DE SÉCURITÉ
INSTRUCTIONS DE SÉCURITÉ IMPORTANTES POUR L'UTILISATION
LIRE ATTENTIVEMENT ET CONSERVER POUR RÉFÉRENCE
ULTÉRIEURE

1. Lisez le mode d'emploi avant d'utiliser l'appareil et suivez les instructions qu'il contient. Le fabricant n'est pas responsable des dommages causés par une utilisation de l'appareil non conforme à sa destination ou par une mauvaise manipulation.
2. L'appareil est destiné à un usage non commercial uniquement. Ne l'utilisez pas à d'autres fins incompatibles avec l'usage auquel il est destiné.
3. L'appareil doit être branché, selon les besoins, sur une prise "allume-cigare" de 12 ou 24 V dans la voiture, ou sur une prise de courant 220-240 V ~ 50-60 Hz. (Selon le type d'appareil, sélectionner le paramètre d'alimentation approprié).
Afin d'accroître la sécurité d'utilisation, plusieurs appareils électriques ne doivent pas être branchés simultanément sur un même circuit.
4. Soyez particulièrement vigilant lorsque vous utilisez l'appareil en présence d'enfants. Ne laissez pas les enfants jouer avec l'appareil. Ne laissez pas les enfants ou toute personne non familiarisée avec l'appareil l'utiliser.
5. **AVERTISSEMENT** : Cet appareil peut être utilisé par des enfants de plus de 8 ans et des personnes dont les capacités physiques, sensorielles ou mentales sont réduites, ou des personnes sans expérience ni connaissance de l'appareil, si cela se fait sous la surveillance d'une personne responsable de leur sécurité ou si elles ont reçu des instructions sur l'utilisation sûre de l'appareil et sont conscientes des dangers liés à son utilisation. Les enfants ne doivent pas jouer avec l'équipement. Le nettoyage et l'entretien de l'équipement ne doivent pas être effectués par des enfants, sauf s'ils sont âgés de plus de 8 ans et que l'activité est effectuée sous surveillance.
6. Après utilisation, retirez toujours la fiche de la prise de courant en la tenant avec la main. Ne tirez PAS sur le cordon d'alimentation.
7. NE PAS immerger le cordon, la fiche ou l'ensemble de l'appareil dans l'eau ou tout autre liquide. N'exposez pas l'appareil aux intempéries (pluie, soleil, etc.) et ne l'utilisez pas dans des conditions humides (salles de bains, camping-cars humides).
8. Vérifiez régulièrement l'état du cordon d'alimentation. Si le cordon d'alimentation est endommagé, il doit être remplacé par un réparateur spécialisé afin d'éviter tout danger.

9. N'utilisez pas l'appareil si le cordon d'alimentation est endommagé, s'il est tombé, s'il a été endommagé d'une autre manière ou s'il ne fonctionne pas correctement. Ne réparez pas l'appareil vous-même, car il y a un risque d'électrocution. Apportez l'appareil endommagé à un centre de service compétent pour qu'il soit inspecté ou réparé. Les réparations ne peuvent être effectuées que par des centres de service agréés. Une réparation incorrecte peut présenter un risque grave pour l'utilisateur.
10. Placez l'appareil sur une surface plane, stable et fraîche, capable de supporter le poids de l'appareil et de tout son contenu, à l'écart des appareils de cuisine chauds tels que : cuisinière électrique, brûleur à gaz, etc....
11. N'utilisez pas l'appareil à proximité de matériaux inflammables.
12. Le cordon d'alimentation ne doit pas pendre du bord de la table ni toucher des surfaces chaudes.
13. Pour une protection supplémentaire, il est conseillé d'installer dans le circuit électrique un dispositif à courant différentiel résiduel (DDR) dont le courant résiduel nominal ne dépasse pas 30 mA. Un électricien spécialisé doit être consulté à cet égard.
14. N'utilisez pas l'appareil si les prises de raccordement sont mouillées.
15. Lors de l'utilisation de l'appareil dans une voiture ou sur un bateau, vérifiez que le fusible protégeant le système d'alimentation électrique est opérationnel.
16. Protéger l'appareil des sources de chaleur et des rayons du soleil.
17. Placer les produits déjà refroidis dans l'appareil.
18. Placez l'appareil dans un endroit correctement ventilé. La distance par rapport à d'autres objets doit être d'au moins 20 cm.
19. AVERTISSEMENT : Ne pas obstruer les orifices de ventilation du boîtier de l'appareil.
20. AVERTISSEMENT : Protégez le circuit contenant le réfrigérant contre les dommages.
21. AVERTISSEMENT : N'utilisez pas et ne rangez pas d'appareils électriques à l'intérieur du compartiment de stockage des aliments.
22. AVERTISSEMENT : L'ouverture de la porte pendant une période prolongée peut entraîner une augmentation significative de la température dans les compartiments de l'appareil.
23. AVERTISSEMENT : Nettoyez régulièrement les surfaces susceptibles d'entrer en contact avec les aliments.
24. AVERTISSEMENT : Conservez la viande et le poisson crus dans des récipients spécifiques afin que les produits n'entrent pas en contact les uns avec les autres et qu'ils ne s'égouttent pas sur d'autres aliments.

25. **ATTENTION** : Si le groupe frigorifique reste vide pendant une période prolongée, éteignez-le, dégivrez-le, nettoyez-le, séchez-le et laissez la porte ouverte afin d'éviter la formation de moisissures dans le groupe.
26. **AVERTISSEMENT** : Ne stockez pas de matériaux explosifs tels que des boîtes contenant des aérosols inflammables, etc. à l'intérieur du réfrigérateur.
27. **AVERTISSEMENT** : Lors de l'installation de l'appareil, veillez à ce que le cordon d'alimentation ne soit pas coincé par le réfrigérateur ou endommagé.
28. **AVERTISSEMENT** : Ne placez pas de rallonges ou d'alimentations portables à proximité ou derrière l'appareil.
29. **AVERTISSEMENT** : N'utilisez pas de dispositifs mécaniques ou d'accélérateurs de dégivrage autres que ceux recommandés par le fabricant.

Avant la première utilisation : Emplacement correct

1. Avant la première utilisation, retirez tous les emballages et laissez un espace libre d'au moins 15 cm autour de l'appareil (5 cm sur les côtés, 10 cm à l'arrière de l'appareil).

2. Placez le réfrigérateur dans un endroit sec et bien ventilé. Conservez le réfrigérateur à l'abri de la lumière directe du soleil, des appareils de chauffage et des gaz corrosifs.

REMARQUE : Comme l'appareil fonctionne avec un compresseur, il faut prévoir un espace suffisant autour de l'appareil pour permettre une bonne ventilation.

REMARQUE : Il n'est pas recommandé de déplacer l'appareil si le sol n'est pas lisse. Ne pas utiliser le réfrigérateur s'il est incliné. Si le réfrigérateur est traîné jusqu'à l'endroit où il doit être utilisé, placez-le à la verticale et attendez 10 minutes avant de l'utiliser. Lorsque vous déplacez le réfrigérateur, utilisez toujours les deux poignées pour transporter l'appareil le plus horizontalement possible. Cela permet de protéger le compresseur et le système d'étanchéité

AVERTISSEMENT : Utilisez au moins deux personnes pour déplacer et manipuler cet appareil. Le non-respect de cet avertissement peut entraîner des blessures au dos ou autres.

3. Dans la mesure du possible, rangez le réfrigérateur portable à l'abri de la chaleur et de la lumière directe du soleil.

4. Le réfrigérateur portable peut être utilisé dans la voiture et au camping, mais il ne doit pas être exposé à la pluie ou à d'autres conditions météorologiques difficiles.

5. Le réfrigérateur portable ne doit pas être placé dans un endroit encastré ou en retrait. L'appareil est conçu pour être autonome.

6. Le fonctionnement normal du réfrigérateur dépend du rayonnement thermique du condenseur.

7. Nettoyez la surface interne avec un peu d'eau tiède et un chiffon doux.

Remarque : Lors du branchement du cordon d'alimentation CC, assurez-vous que l'entrée est une source d'alimentation 12 V ~ CC / 24 V.

IMPORTANT : Ne retirez pas les étiquettes d'avertissement, de précaution ou d'information sur le produit du réfrigérateur portable pour voiture.

DESCRIPTION DE L'APPAREIL Réfrigérateur portable - Figure A

1. Socle
2. Prise de courant
3. Support
4. Cadre
5. Couverture
6. Panneau de contrôle
7. Câble d'alimentation CC - pour les déplacements, brancher directement sur l'allume-cigare de la voiture

PANNEAU DE CONTRÔLE - Figure B

A - Bouton d'alimentation ON/OFF

B - Bouton SET

C - Indicateur de puissance

D - Indicateur d'erreur

- E - Écran LCD
- F - Bouton "+"
- G - Bouton "-"

FONCTIONNEMENT

- Lorsque vous essayez de brancher le réfrigérateur portable sur une prise standard de 12 V, l'appareil ne fonctionnera pas si la tension de la prise est inférieure à 9,6 V. L'appareil redémarre lorsque la tension atteint 12,2 V ou plus.
- Si vous essayez de brancher l'appareil sur une prise standard de 24 volts, l'appareil ne fonctionnera pas si la tension de la prise est inférieure à 21,3 volts. L'appareil redémarre lorsque la tension atteint 25,2 V ou plus.
- L'appareil peut également être branché sur le secteur 230V ~50/60Hz en utilisant un bloc d'alimentation externe (non inclus). Le modèle d'alimentation AC/DC recommandé est le CR8076.1.

PANNEAU DE CONTRÔLE (7) - Figure B

Votre réfrigérateur portable utilise un système de commande numérique pour régler le thermostat.

* Bouton d'alimentation (A) - ON. / OFF.

1. Connectez le réfrigérateur à une source d'alimentation, appuyez une fois sur le bouton d'alimentation (A) pour mettre l'appareil en marche.
2. Appuyez à nouveau sur le bouton d'alimentation (A) pour éteindre le réfrigérateur.

* Bouton SET :

Appuyez sur la touche SET pendant 3 secondes pour accéder aux modes avancés :

ITMODE DE PROTECTION DE LA TENSION :

L'appareil dispose de trois fonctions de protection de la batterie qui assurent le fonctionnement normal du réfrigérateur et protègent la batterie du véhicule.

Ces trois niveaux de protection de la batterie :

H3 - niveau de protection élevé

pour 12 V : s'arrête à 10,9 V et démarre à 12,2 V.

pour 24 V : arrêt à 23,8 V et démarrage à 25,2 V.

H2 - niveau de protection moyen

pour 12 V : s'arrête à 9,7 V et démarre à 11,0 V.

pour 24 V : arrêt à 21,5 V et démarrage à 22,9 V.

H1 - niveau de protection bas :

pour 12 V : arrêt à 9,6 V et démarrage à 10,9 V.

pour 24 V : arrêt à 21,3 V et démarrage à 22,7 V.

Appuyez brièvement sur la touche "+" ou "-" pour sélectionner la fonction. La fonction est réglée sur le niveau de protection moyen "H2" lorsque le réfrigérateur est prêt à être utilisé pour la première fois.

REMARQUE :

Il est recommandé de régler la protection de la batterie sur H2 (niveau moyen) lorsque l'appareil est utilisé dans une voiture.

Il est recommandé de régler la protection de la batterie sur H2 (niveau moyen) ou H1 (niveau faible) s'il s'agit d'une batterie externe ou d'une batterie de secours.

En raison de la différence de tension de sortie entre les différentes sorties de l'alimentation électrique du véhicule, s'il existe une protection de tension (l'écran LCD affiche F1), la fonction de la batterie peut être réduite à un niveau inférieur (H3 est commuté sur H2 ou H1).

* Le bouton "+" (F) permet d'augmenter la température ou d'autres réglages décrits ci-dessus.

* Le bouton "-" (G) permet de diminuer la température ou d'autres paramètres décrits ci-dessus.

* Indicateur d'alimentation (C) :

- Lorsque le réfrigérateur est en marche, le voyant est rouge.
- Lorsque le réfrigérateur est éteint, le voyant s'éteint.

* Indicateur d'erreur (D) :

- En cas d'anomalie, le buzzer sonne en continu.
- Les codes d'erreur s'affichent à l'écran.

- L'indicateur de défaut (D) s'allume en bleu.

* L'écran LCD (E) : affiche

- Affiche la température et les autres réglages.

- Des codes d'erreur peuvent apparaître à l'écran, comme ci-dessous :

F1 : Défaut de tension

F2 : Défaut de courant du ventilateur

F3 : Défaut de démarrage du compresseur

F4 : Défaut de vitesse minimale du compresseur

F5 : Défaut de température du régulateur

E0 : Circuit de capteur interrompu

E1 : Court-circuit du capteur

L'écran LCD permet de régler la température de -20°C à +20°C. La température réelle atteinte à l'intérieur de l'unité dépend des conditions extérieures. Par exemple, à une température ambiante de +25°C, la température la plus basse atteinte à l'intérieur de l'appareil est de -20°C. L'appareil n'a pas de fonction de chauffage.

NOTE : En cas de dysfonctionnement du système, vérifiez d'abord que la tension de la batterie est correcte. Si la tension de la batterie est correcte, attendez 3 minutes avant de mettre le réfrigérateur en marche. Si le système fonctionne toujours mal après avoir redémarré l'appareil, contactez le service après-vente pour obtenir de l'aide.

Réglages de température courants pour le stockage :

- Vin (+ 6 °C à +18 °C)

- Vaccins, insuline (de + 2 °C à - 8 °C)

- Fruits (de 4 °C à - 6 °C)

- Boissons (de 2 °C à - 5 °C)

- Viande (-10 °C)

- Glaces (-15 °C)

Attention si vous souhaitez conserver des médicaments dans le réfrigérateur. Emballez les aliments dans des récipients / sacs prévus à cet effet avant de les mettre dans l'appareil.

NETTOYAGE ET ENTRETIEN

Débranchez toujours l'appareil avant de le nettoyer.

Nettoyez l'appareil avec un chiffon doux et sec et des détergents doux. Ne pas utiliser de solvants chimiques car ils peuvent endommager ou déformer l'appareil de manière permanente.

DÉPANNAGE

Suivez le guide de dépannage ci-dessous pour résoudre les problèmes courants.

Problème I : L'appareil ne fonctionne pas du tout et ne montre aucun signe d'alimentation.

Cause possible 1 : L'appareil n'est pas alimenté.

Solution à la cause possible 1 : Assurez-vous que l'appareil est connecté.

Cause possible 2 : L'appareil n'est pas suffisamment alimenté.

Solution pour la cause possible 2 : Déplacez l'appareil sur une autre prise. Vérifiez le disjoncteur. (Reportez-vous à la plaque signalétique située à l'arrière de l'appareil pour déterminer la consommation de courant).

Cause possible 3 : Câble d'alimentation CC

Solution pour la cause possible 4 : Testez l'appareil avec une autre source d'alimentation, par exemple un autre véhicule dont la prise de courant continu fonctionne.

Cause possible 4 : Fils déconnectés.

Solution pour la cause possible 5 : Contactez le service clientèle.

Problème II : L'appareil émet des bruits étranges.

Cause possible 1 : L'appareil n'est pas à niveau.

Solution 1 : Déplacez l'appareil sur une surface plane et horizontale.

Problème III : L'appareil émet un son métallique fort et continu.

Cause possible 1 : L'appareil a peut-être été envoyé sur le côté.

Solution 1 : Éteignez l'appareil. Laissez l'appareil sur une surface plane pendant au moins 24 heures et redémarrez-le.

Cause possible 2 : Compresseur défectueux

Solution 2 : Contactez le service clientèle.

Problème IV : L'appareil fonctionne pendant un certain temps puis déclenche le cordon d'alimentation ou le disjoncteur.

Cause possible : L'appareil est peut-être branché sur une prise qui n'est pas suffisamment alimentée.
 Solution : Contactez un électricien si l'appareil fonctionne dans une autre pièce ou sur un autre circuit.

Problème V : Les lumières du panneau de contrôle clignotent de manière aléatoire.
 Cause possible : Le panneau de commande de l'appareil est peut-être défectueux.
 Solution : Redémarrez l'appareil et si le problème persiste, contactez le service clientèle.

Problème VI : L'appareil présente une erreur HH
 Cause possible : La température ambiante a dépassé 40°C.
 Solution : Redémarrez l'appareil et si le problème persiste, contactez le service clientèle.

Problème VII : Une erreur d'OC s'est produite dans l'appareil.
 Cause possible : Une erreur de thermostat a été détectée.
 Solution : Redémarrez l'appareil et si le problème persiste, contactez le service clientèle.

Problème VIII : Une erreur de S.C. s'est produite dans l'appareil.
 Cause possible : Un court-circuit a été détecté dans le thermostat.
 Solution : Redémarrez l'appareil et si le problème persiste, contactez le service clientèle.

Problème IX : L'appareil est sous tension mais le compresseur ne fonctionne pas.
 Cause possible 1 : La température ambiante est trop basse.
 Solution 1 : Déplacez l'appareil dans un endroit plus chaud.
 Cause possible 2 : Câble déconnecté.
 Solution 2 : Contactez le service clientèle.

ATTENTION : RISQUE D'INCENDIE / MATERIEL INFLAMMABLE



DONNÉES TECHNIQUES

Capacité : 40 litres

Alimentation électrique :

- DC 12V / 24V - prise allume-cigare

- 230V ~50/60Hz - prise de courant après utilisation d'un bloc d'alimentation externe (non inclus)

Réfrigérant : R600a / 40g

Classe climatique : S / SN

Isolation : CSH10

Consommation électrique nominale : 45W

Courant nominal maximum : 3,7A

Pour le bien de l'environnement. Les emballages en carton et les sacs en polyéthylène (PE) doivent être jetés dans les conteneurs appropriés pour la collecte sélective des déchets municipaux, conformément à leur description. Si l'appareil contient des piles, celles-ci doivent être retirées et éliminées séparément dans un centre de collecte et de stockage. L'appareil usagé doit être déposé dans un centre de collecte et de stockage approprié, car les substances dangereuses qu'il contient peuvent présenter un risque pour la santé et l'environnement. Le marquage sur le produit indique que l'appareil ne doit pas être jeté dans la poubelle municipale. Les déchets d'équipements électriques sont des déchets qui contiennent des substances nocives pour l'homme, les animaux et l'environnement. Ces substances peuvent contaminer le sol, l'eau ou l'air et, par ce biais, pénétrer dans le corps humain et entraîner un certain nombre de problèmes de santé, tels que des troubles de la vision, de l'audition et de l'élocution, ainsi que des lésions des reins, du foie et du cœur, et des maladies de la peau. Les substances nocives peuvent également avoir des effets néfastes sur les systèmes respiratoire et reproductif et entraîner des changements cancéreux. La consommation de plantes poussant sur les sols affectés et de produits fabriqués à partir de ces sols peut entraîner les effets susmentionnés sur la santé. **Ne pas jeter l'appareil dans la poubelle municipale !**

Service après-vente Si vous souhaitez acheter des pièces de rechange ou si vous avez des réclamations à

Manual de usuario (ES)

CONDICIONES GENERALES DE SEGURIDAD INSTRUCCIONES DE USO IMPORTANTES LEA ATENTAMENTE Y CONSÉRVELAS PARA FUTURAS CONSULTAS

1. Lea el manual de instrucciones antes de utilizar el aparato y siga las instrucciones que contiene. El fabricante no se hace responsable de los daños causados por un uso del aparato no conforme con su destino o por una manipulación inadecuada.
2. El aparato es sólo para uso no comercial. No lo utilice para ningún otro fin incompatible con su uso previsto.
3. El aparato debe conectarse, según sea necesario, a una toma de "encendedor de cigarrillos" de automóvil con un voltaje de 12 V o 24 V, o a una toma de corriente de 220-240 V ~ 50-60 Hz. (Según el tipo de aparato, seleccione el parámetro de alimentación adecuado).
Para aumentar la seguridad de uso, no deben conectarse simultáneamente varios aparatos eléctricos a un mismo circuito.
4. Tenga especial cuidado cuando utilice el aparato en presencia de niños. No permita que los niños jueguen con el aparato. No permita que los niños o cualquier persona no familiarizada con el aparato lo utilicen.
5. **ADVERTENCIA:** Este aparato puede ser utilizado por niños mayores de 8 años y personas con capacidades físicas, sensoriales o mentales reducidas, o personas sin experiencia o conocimiento del aparato, si lo hacen bajo la supervisión de una persona responsable de su seguridad o si han recibido instrucciones sobre el uso seguro del aparato y son conscientes de los peligros asociados a su uso. Los niños no deben jugar con el equipo. La limpieza y el mantenimiento del equipo no deben ser realizados por niños, a menos que sean mayores de 8 años y la actividad se lleve a cabo bajo supervisión.
6. Retire siempre el enchufe de la toma de corriente después de su uso, sujetando la toma con la mano. **NO** tire del cable de alimentación.
7. **NO** sumerja el cable, el enchufe ni todo el aparato en agua ni en ningún otro líquido. No exponga el aparato a la intemperie (lluvia, sol, etc.) ni lo utilice en lugares húmedos (cuartos de baño, autocaravanas húmedas).

8. Compruebe periódicamente el estado del cable de alimentación. Si el cable de alimentación está dañado, debe ser sustituido por un reparador especializado para evitar peligros.
9. No utilice el aparato con el cable de alimentación dañado o si se ha caído o dañado de cualquier otra forma o no funciona correctamente. No repare el aparato usted mismo, ya que existe riesgo de descarga eléctrica. Lleve el aparato dañado a un centro de servicio competente para su inspección o reparación. Las reparaciones sólo deben ser realizadas por centros de servicio autorizados. Una reparación inadecuada puede suponer un grave riesgo para el usuario.
10. Coloque el aparato sobre una superficie fresca, estable y nivelada que pueda soportar el peso del aparato y de todo su contenido, lejos de aparatos de cocina calientes como: cocina eléctrica, quemador de gas, etc.
11. No utilice el aparato cerca de materiales inflamables.
12. El cable de alimentación no debe colgar del borde de la mesa ni tocar superficies calientes.
13. Para una protección adicional, es aconsejable instalar en el circuito eléctrico un dispositivo de corriente residual (RCD) con una corriente residual nominal no superior a 30 mA. Para ello, consulte a un electricista especializado.
14. No utilice el aparato si las tomas de conexión están mojadas.
15. Cuando utilice el aparato en un coche o en un barco, compruebe que el fusible que protege el sistema de alimentación eléctrica está operativo.
16. Proteja el aparato de fuentes de calor y de la luz solar.
17. Coloque los productos ya enfriados en la unidad.
18. Coloque la unidad en un lugar bien ventilado. La distancia a otros objetos debe ser de al menos 20 cm.
19. **ADVERTENCIA:** No bloquee las aberturas de ventilación de la carcasa del aparato.
20. **ADVERTENCIA:** Proteja el circuito que contiene el refrigerante para que no sufra daños.
21. **ADVERTENCIA:** No utilice ni almacene equipos eléctricos dentro del compartimento de almacenamiento de alimentos.
22. **ADVERTENCIA:** Abrir la puerta durante un periodo prolongado de tiempo, puede hacer que la temperatura en los compartimentos del aparato aumente significativamente.
23. **ADVERTENCIA:** Limpie regularmente las superficies que puedan entrar en contacto con los alimentos.

24. **ADVERTENCIA:** Guarde la carne y el pescado crudos en recipientes específicos para que los productos no entren en contacto entre sí, y para que no goteen sobre otros alimentos.
25. **ADVERTENCIA:** Si la unidad de refrigeración permanece vacía durante un largo periodo de tiempo, apáguela, descongélela, límpiela, séquela y deje la puerta abierta para evitar la formación de moho en la unidad.
26. **ADVERTENCIA:** No guarde materiales explosivos como latas que contengan aerosoles inflamables, etc. dentro del frigorífico.
27. **ADVERTENCIA:** Cuando instale el aparato, asegúrese de que el cable de alimentación no quede aprisionado por el frigorífico ni resulte dañado.
28. **ADVERTENCIA:** No coloque alargadores ni fuentes de alimentación portátiles cerca o detrás del aparato.
29. **ADVERTENCIA:** No utilice dispositivos mecánicos o aceleradores de descongelación distintos de los recomendados por el fabricante.

Antes del primer uso: Ubicación correcta

1. Antes del primer uso, retire todo el embalaje y deje al menos 15 cm de espacio libre alrededor del aparato (5 cm en el lateral, 10 cm en la parte posterior del aparato).

2. Coloque el frigorífico en un lugar seco y bien ventilado. Almacene el frigorífico alejado de la luz solar directa, calefactores y gases corrosivos.

NOTA: Como el funcionamiento del aparato se basa en un compresor, se requiere un espacio amplio alrededor del aparato para permitir una ventilación adecuada.

NOTA: No se recomienda mover el aparato si el suelo no es liso. No lo utilice si el frigorífico está inclinado. Si arrastra el frigorífico hasta el lugar de uso, colóquelo en posición vertical y espere 10 minutos antes de utilizarlo. Cuando traslade la nevera, utilice siempre ambas asas para transportar la unidad lo más horizontalmente posible. Esto es para proteger el compresor y el sistema de sellado

ADVERTENCIA: Utilice al menos dos personas para mover y manipular este aparato. La inobservancia de esta advertencia puede provocar lesiones en la espalda o de otro tipo.

3. Si es posible, guarde el frigorífico portátil alejado del calor y de la luz solar directa.

4. La nevera portátil es adecuada para su uso en el coche y en el camping, pero la unidad no debe exponerse a la lluvia ni a otras condiciones climáticas adversas.

5. El frigorífico portátil no debe colocarse empotrado o encastrado. El aparato está diseñado para ser independiente.

6. El funcionamiento normal del frigorífico depende de la radiación de calor del condensador.

7. Limpie la superficie interna con un poco de agua tibia y un paño suave.

Nota: Al conectar el cable de alimentación de CC, asegúrese de que la entrada sea una fuente de alimentación de 12 V ~ CC / 24 V.

IMPORTANTE: No retire ninguna etiqueta de advertencia, precaución o información del producto de la nevera portátil para coche.

DESCRIPCIÓN DEL DISPOSITIVO Nevera portátil - Figura A

1. Base
2. Enchufe
3. Soporte
4. Marco
5. Tapa
6. Panel de control
7. Cable de alimentación de CC - para utilizarlo cuando se viaja, conéctelo directamente al encendedor del coche

PANEL DE CONTROL - Figura B

A - Botón de encendido ON/OFF

B - Botón SET

C - Indicador de encendido

D - Indicador de error

E - Pantalla LCD

F - Botón "+"

G - Botón "-"

FUNCIONAMIENTO

- Cuando intente conectar el frigorífico portátil a una toma estándar de 12 V, la unidad no funcionará si la toma tiene un voltaje inferior a 9,6 V. La unidad se reiniciará cuando el voltaje alcance 12,2 V o más.

- Cuando intente enchufar el aparato a una toma estándar de 24 V, el aparato no funcionará si la toma tiene un voltaje inferior a 21,3 voltios. La unidad se reiniciará cuando el voltaje alcance 25,2 V o más.

- La unidad también puede conectarse a la red eléctrica de 230 V ~50/60 Hz si se utiliza una fuente de alimentación externa (no incluida). El modelo de fuente de alimentación CA/CC recomendado es CR8076.1.

PANEL DE CONTROL (7) - Figura B

Su frigorífico portátil utiliza un sistema de control digital para ajustar el termostato.

* Botón de encendido (A) - ON. / OFF.

1. Conecte la nevera a una fuente de alimentación, pulse el botón de encendido (A) una vez para encender la unidad.
2. Pulse de nuevo el botón de encendido (A), la nevera se apagará.

* Botón SET :

Mantenga pulsado el botón SET durante 3 segundos y acceda a los modos avanzados:

ITMODO DE PROTECCIÓN DE TENSIÓN:

La unidad dispone de tres funciones de protección de la batería que protegen el funcionamiento normal del frigorífico y protegen la batería del vehículo.

Estos tres niveles de protección de la batería:

H3 - nivel de protección alto

para 12 V: se detiene a 10,9 V y arranca a 12,2 V.

para 24 V: se detiene a 23,8 V y arranca a 25,2 V.

H2 - nivel de protección medio

para 12 V: se detiene a 9,7 V y arranca a 11,0 V.

para 24 V: se detiene a 21,5 V y arranca a 22,9 V.

H1 - nivel de protección bajo:

para 12 V: se detiene a 9,6 V y arranca a 10,9 V.

para 24 V: se detiene a 21,3 V y arranca a 22,7 V.

Pulse brevemente el botón "+" o "-" para seleccionar la función. La función se ajusta al nivel de protección medio "H2" cuando el frigorífico está listo para su primer uso.

NOTA:

Se recomienda ajustar la protección de la batería a H2 (nivel medio) cuando la unidad se utilice en un coche.

Se recomienda ajustar la protección de la batería a H2 (nivel medio) o H1 (nivel bajo) si se trata de una batería externa o una batería de reserva.

Debido a la diferencia de tensión de salida de las distintas salidas de la fuente de alimentación del vehículo, si hay protección de tensión (la pantalla LCD muestra F1), la función de batería puede reducirse a un nivel inferior (H3 se cambia a H2 o H1).

* El botón "+" (F) se utiliza para aumentar la temperatura u otros ajustes descritos anteriormente.

* El botón "-" (G) se utiliza para disminuir la temperatura u otros ajustes descritos anteriormente.

* Indicador de encendido (C):

- Cuando el frigorífico está encendido, el indicador luminoso es de color rojo.

- Cuando el frigorífico está apagado, la luz se apaga.

* Indicador de error (D):

- En caso de avería, el zumbador emite un sonido continuo.
- Los códigos de avería aparecerán en la pantalla.
- El indicador de avería (D) se iluminará en azul.

* Pantalla LCD (E): muestra

- Muestra la temperatura y otros ajustes.
- Pueden aparecer códigos de avería en la pantalla, como se indica a continuación:

F1: Fallo de tensión

F2: Fallo de corriente del ventilador

F3: Fallo de arranque del compresor

F4: Fallo de velocidad mínima del compresor

F5: Fallo de temperatura del regulador

E0: Circuito del sensor interrumpido

E1: Cortocircuito del sensor

La pantalla LCD permite ajustar la temperatura de -20°C a +20°C. La temperatura real alcanzada dentro de la unidad depende de las condiciones externas. Por ejemplo, en una temperatura ambiente de +25°C, la temperatura más baja alcanzada dentro de la unidad es -20°C. La unidad no tiene una función de calefacción.

NOTA: Si el sistema no funciona correctamente, compruebe primero que el voltaje de la batería es correcto. Si el voltaje de la batería es correcto, espere 3 minutos antes de encender el refrigerador. Si el sistema sigue funcionando mal después de reiniciar el aparato, póngase en contacto con el servicio técnico para obtener asistencia.

Ajustes comunes de temperatura para almacenamiento:

- Vino (+ 6 °C a +18 °C)
- Vacunas, insulina (de + 2 °C a - 8 °C)
- Fruta (de 4 °C a - 6 °C)
- Bebidas (de 2 °C a - 5 °C)
- Carne (de -10 °C)
- Helados (-15 °C)

Tenga cuidado si desea guardar medicamentos en el frigorífico. Empaque los alimentos en recipientes / bolsas diseñados para este fin antes de introducirlos en el aparato.

LIMPIEZA Y MANTENIMIENTO

Desenchufe siempre el aparato antes de limpiarlo.

Limpie con un paño suave y seco utilizando detergentes suaves. No utilice disolventes químicos, ya que pueden causar daños o deformaciones permanentes en el aparato.

SOLUCIÓN DE PROBLEMAS

Siga la siguiente guía para solucionar los problemas más comunes.

Problema I: La unidad no funciona en absoluto y no muestra ningún signo de alimentación.

Possible causa 1: El aparato no recibe alimentación.

Solución a la posible causa 1: Asegúrese de que el aparato está conectado.

Possible causa 2: Alimentación insuficiente.

Solución a la posible causa 2: Traslade el aparato a otra toma de corriente. Compruebe el disyuntor. (Consulte la placa de características situada en la parte posterior del aparato para determinar el consumo de corriente).

Possible causa 3: Cable de alimentación de CC

Solución para la posible causa 4: Pruebe el aparato con otra fuente de alimentación, por ejemplo, otro vehículo con una toma de CC que se sepa que funciona.

Possible causa 4: Cables desconectados.

Solución para la posible causa 5: Póngase en contacto con el servicio de atención al cliente.

Problema II: El aparato hace ruidos extraños.

Possible causa 1: El aparato no está nivelado.

Solución 1: Coloque el aparato en una superficie plana y nivelada.

Problema III: El aparato emite un golpeteo metálico fuerte y continuo.

Possible causa 1: Es posible que la unidad se haya enviado de lado.

Solución 1: Apague la unidad. Deje la unidad sobre una superficie plana durante al menos 24 horas y vuelva a encenderla.

Posible causa 2: Compresor defectuoso

Solución 2: Póngase en contacto con el servicio de atención al cliente.

Problema IV: La unidad funciona durante un rato y luego se dispara el cable de alimentación o el disyuntor.

Posible causa: El aparato puede estar enchufado a una toma de corriente que no suministra la potencia adecuada.

Solución: Póngase en contacto con un electricista si el aparato funciona en otra habitación o circuito.

Problema V: Las luces del panel de control parpadean aleatoriamente.

Posible causa: El aparato puede tener un panel de control defectuoso.

Solución: Reinicie el aparato y, si el problema persiste, póngase en contacto con el servicio de atención al cliente.

Problema VI: Se ha producido un error de HH en el aparato

Posible causa: La temperatura ambiente ha superado los 40°C.

Solución: Reinicie el dispositivo y si el problema persiste, póngase en contacto con el servicio de atención al cliente.

Problema VII: Se ha producido un error OC en la unidad.

Posible causa: Se ha detectado un error en el termostato.

Solución: Reinicie la unidad y, si el problema persiste, póngase en contacto con el servicio de atención al cliente.

Problema VIII: Se ha producido un error de S.C. en el aparato.

Posible causa: Se ha detectado un cortocircuito en el termostato.

Solución: Reinicie el aparato y si el problema persiste, contacte con el servicio de atención al cliente.

Problema IX: El aparato recibe corriente pero el compresor no funciona.

Posible causa 1: La temperatura ambiente es demasiado baja.

Solución 1: Traslade la unidad a un lugar más cálido.

Posible causa 2: Cable desconectado.

Solución 2: Póngase en contacto con el servicio de atención al cliente.

PRECAUCIÓN: PELIGRO DE INCENDIO / MATERIAL INFLAMABLE



DATOS TÉCNICOS

Capacidad: 40 litros

Alimentación eléctrica:

- DC 12V / 24V - toma de mechero

- 230V ~50/60Hz - toma de corriente tras utilizar una fuente de alimentación externa (no incluida)

Refrigerante: R600a / 40g

Clase climática: S / SN

Aislamiento: C5H10

Consumo nominal: 45W

Corriente nominal máxima: 3,7A

Por el bien del medio ambiente Los embalajes de cartón y las bolsas de polietileno (PE) deben desecharse en los contenedores adecuados para la recogida selectiva de residuos urbanos según su descripción. Si hay pilas en el aparato, deben retirarse y eliminarse por separado en un centro de recogida y almacenamiento. El aparato usado debe llevarse a un centro de recogida y almacenamiento adecuado, ya que las sustancias peligrosas que contiene pueden suponer un riesgo para la salud y el medio ambiente. El marcado del producto indica que el aparato no debe desecharse en el contenedor municipal de residuos.

Los residuos de aparatos eléctricos son residuos que contienen sustancias nocivas para las personas, los animales y el medio ambiente. Estas sustancias pueden contaminar el suelo, el agua o el aire, y a través de ello pueden entrar en el cuerpo humano y provocar una serie de problemas de salud, como problemas de visión, audición, habla, también pueden dañar los riñones, el hígado y el corazón, y causar enfermedades de la piel. Las sustancias nocivas también pueden tener efectos adversos en los sistemas respiratorio y reproductor y provocar cambios cancerígenos. El consumo de plantas que crecen en los suelos afectados, y



de productos elaborados a partir de ellas, puede provocar los efectos mencionados sobre la salud. **No deseche el equipo en el contenedor de basura municipal**
Servicio técnico Si desea adquirir piezas de repuesto o tiene alguna reclamación, diríjase póngase en contacto directamente con el distribuidor que emitió el recibo.

Manual de Instruções (PT)

CONDIÇÕES GERAIS DE SEGURANÇA INSTRUÇÕES DE SEGURANÇA IMPORTANTES PARA UTILIZAÇÃO LER ATENTAMENTE E GUARDAR PARA FUTURA REFERÊNCIA

1. Leia o manual de instruções antes de utilizar o aparelho e siga as instruções nele contidas. O fabricante não se responsabiliza por danos causados por uma utilização do aparelho que não esteja de acordo com a sua finalidade ou por um manuseamento incorreto.

2. O aparelho destina-se exclusivamente a uma utilização não comercial. Não utilizar para qualquer outro fim incompatível com a sua utilização prevista.

3. O aparelho deve ser ligado, conforme necessário, a uma tomada de "isqueiro" de automóvel com uma tensão de 12V ou 24V, ou a uma tomada eléctrica de 220-240 V ~ 50-60 Hz. (Em função do tipo de aparelho, seleccionar o parâmetro de alimentação adequado).

Para aumentar a segurança de utilização, não devem ser ligados vários aparelhos eléctricos ao mesmo tempo num único circuito.

4. Tenha especial cuidado quando utilizar o aparelho na presença de crianças. Não permitir que as crianças brinquem com o aparelho não permitir que crianças ou pessoas não familiarizadas com o aparelho o utilizem.

5. AVISO: Este aparelho pode ser utilizado por crianças com mais de 8 anos de idade e por pessoas com capacidades físicas, sensoriais ou mentais reduzidas, ou por pessoas sem experiência ou conhecimento do aparelho, desde que o façam sob a supervisão de uma pessoa responsável pela sua segurança ou se lhes tiverem sido dadas instruções sobre a utilização segura do aparelho e se tiverem conhecimento dos perigos associados à sua utilização. As crianças não devem brincar com o equipamento. A limpeza e a manutenção do equipamento não devem ser efectuadas por crianças, a menos que tenham mais de 8 anos de idade e que a atividade seja realizada sob supervisão.

6. Retire sempre a ficha da tomada eléctrica depois de a utilizar, segurando-a com a mão. NÃO puxar pelo cabo de alimentação.

7. NÃO mergulhar o cabo, a ficha ou todo o aparelho em água ou em qualquer outro líquido. Não exponha o aparelho às condições atmosféricas (chuva, sol,

etc.) nem o utilize em condições de humidade (casas de banho, autocaravanas húmidas).

8. Verificar periodicamente o estado do cabo de alimentação. Se o cabo de alimentação estiver danificado, deve ser substituído por um reparador especializado para evitar qualquer perigo.

9. Não utilize o aparelho com um cabo de alimentação danificado ou se este tiver caído ou sido danificado de qualquer outra forma ou se não estiver a funcionar corretamente. Não repare o aparelho por si próprio, pois existe o risco de choque elétrico. Leve o aparelho danificado a um centro de assistência técnica competente para inspeção ou reparação. As reparações só podem ser efectuadas por centros de assistência autorizados. Uma reparação incorrecta pode representar um risco grave para o utilizador.

10. Colocar o aparelho sobre uma superfície fria, estável e plana que suporte o peso do aparelho e de todo o seu conteúdo, longe de aparelhos de cozinha quentes, tais como: fogão elétrico, fogão a gás, etc.

11. Não utilizar o aparelho perto de materiais inflamáveis.

12. O cabo de alimentação não deve ficar pendurado na borda da mesa ou tocar em superfícies quentes.

13. Para proteção adicional, é aconselhável instalar no circuito elétrico um dispositivo de corrente residual (RCD) com uma corrente residual nominal não superior a 30 mA. Para este efeito, deve ser consultado um electricista especializado.

14. Não utilizar o aparelho se as tomadas de ligação estiverem molhadas.

15. Quando utilizar o aparelho num automóvel ou num barco, verifique se o fusível que protege o sistema de alimentação eléctrica está operacional.

16. Proteger o aparelho de fontes de calor e da luz solar.

17. Colocar produtos já arrefecidos no aparelho.

18. Colocar o aparelho num local bem ventilado. A distância em relação a outros objectos deve ser de, pelo menos, 20 cm.

19. **ATENÇÃO:** Não bloquear as aberturas de ventilação da caixa do aparelho.

20. **ATENÇÃO:** Proteger o circuito que contém o refrigerante contra danos.

21. **AVISO:** Não utilize nem guarde equipamento elétrico no interior do compartimento de conservação dos alimentos.

22. **ATENÇÃO:** Abrir a porta durante um período de tempo prolongado pode provocar um aumento significativo da temperatura nos compartimentos do aparelho.

23. **AVISO:** Limpe regularmente as superfícies que podem entrar em contacto com os alimentos.

24. AVISO: Guarde a carne e o peixe crus em recipientes específicos para que os produtos não entrem em contacto uns com os outros e para que não pinguem para outros alimentos.

25. AVISO: Se a unidade de refrigeração permanecer vazia durante um longo período de tempo, desligue-a, descongele, limpe, seque e deixe a porta aberta para evitar a formação de bolor na unidade.

26. AVISO: Não guarde materiais explosivos, tais como latas que contenham aerossóis inflamáveis, etc., no interior do frigorífico.

27. AVISO: Ao instalar o aparelho, certifique-se de que o cabo de alimentação não está preso pelo frigorífico nem danificado.

28. AVISO: Não coloque cabos de extensão ou fontes de alimentação portáteis perto ou atrás do aparelho.

29. ATENÇÃO: Não utilizar dispositivos mecânicos ou aceleradores de descongelação para além dos recomendados pelo fabricante.

Antes da primeira utilização: Localização correcta

1. Antes da primeira utilização, retirar todas as embalagens e deixar pelo menos 15 cm de espaço livre à volta do aparelho (5 cm de lado, 10 cm na parte de trás do aparelho).

2. Colocar o frigorífico num local seco e bem ventilado. Guarde o frigorífico longe da luz solar direta, de aquecedores e de gases corrosivos.

NOTA: Uma vez que o funcionamento do aparelho se baseia no compressor, é necessário um espaço amplo à volta do aparelho para permitir uma ventilação adequada.

NOTA: Não se recomenda a deslocação da unidade se o chão não for liso. Não utilizar se o frigorífico estiver inclinado. Se o frigorífico for arrastado para o local a utilizar, coloque-o na vertical e aguarde 10 minutos antes de o utilizar. Quando deslocar o frigorífico, utilize sempre as duas pegas para transportar o aparelho o mais horizontalmente possível. Isto serve para proteger o compressor e o sistema de vedação

ATENÇÃO: Utilize pelo menos duas pessoas para deslocar e manusear este aparelho. A inobservância deste aviso pode provocar lesões nas costas ou outras.

3. Se possível, guarde o frigorífico portátil longe do calor e da luz solar direta.

4. O frigorífico portátil é adequado para ser utilizado no carro e no parque de campismo, mas a unidade não deve ser exposta à chuva ou a outras condições climatéricas adversas.

5. O frigorífico portátil não deve ser colocado num local embutido ou encastrado. O aparelho foi concebido para ser independente.

6. O funcionamento normal do frigorífico depende da radiação de calor do condensador.

7. Limpar a superfície interna com um pouco de água morna e um pano macio.

Nota: Ao ligar o cabo de alimentação CC, certifique-se de que a entrada é uma fonte de alimentação de 12 V ~ CC / 24 V.

IMPORTANTE: Não retire quaisquer etiquetas de aviso, de precaução ou de informação do produto do frigorífico para automóvel portátil.

DESCRIÇÃO DO DISPOSITIVO Frigorífico portátil - Figura A

1. Base 2. Tomada de ligação

3. Suporte 4. Moldura

5. Tampa 6. Painel de controlo

7. Cabo de alimentação CC - para utilização em viagem, ligar diretamente ao isqueiro do automóvel

PAINEL DE CONTROLO - Figura B

A - Botão de alimentação ON/OFF

B - Botão SET

C - Indicador de alimentação

D - Indicador de erro

E - Ecrã LCD

F - Botão "+"

G - Botão "-"

FUNCIONAMENTO

- Ao tentar ligar o frigorífico portátil a uma tomada normal de 12 V, a unidade não funcionará se a tomada tiver uma tensão inferior a 9,6 V. A unidade reiniciar-se-á quando a tensão atingir 12,2 V ou mais.

- Ao tentar ligar o aparelho a uma tomada normal de 24 V, o aparelho não funcionará se a tomada tiver uma tensão inferior a 21,3 V. O aparelho reiniciar-se-á quando a tensão atingir 25,2 V ou mais.

- A unidade também pode ser ligada à rede eléctrica de 230V ~50/60Hz quando se utiliza uma fonte de alimentação externa (não incluída). O modelo de fonte de alimentação CA/CC recomendado é o CR8076.1.

PAINEL DE CONTROLO (7) - Figura B

O seu frigorífico portátil utiliza um sistema de controlo digital para ajustar o termóstato.

* Botão de alimentação (A) - ON. / OFF.

1. Ligue o frigorífico a uma fonte de alimentação, prima o botão de alimentação (A) uma vez para ligar a unidade.
2. Se premir novamente o botão de alimentação (A), o frigorífico desliga-se.

* Botão SET :

Pressione longamente o botão SET por 3 segundos e entre nos modos avançados:

ITMODE DE PROTECÇÃO DE TENSÃO:

A unidade tem três funções de protecção da bateria que protegem o funcionamento normal do frigorífico e protegem a bateria do veículo.

Estes três níveis de protecção da bateria:

H3 - nível de protecção elevado

para 12 V: pára a 10,9 V e arranca a 12,2 V.

para 24 V: pára a 23,8 V e arranca a 25,2 V.

H2 - nível de protecção médio

para 12 V: pára a 9,7 V e arranca a 11,0 V.

para 24 V: pára a 21,5 V e arranca a 22,9 V.

H1 - nível de protecção baixo:

para 12 V: pára a 9,6 V e arranca a 10,9 V.

para 24 V: pára a 21,3 V e arranca a 22,7 V.

Premir brevemente o botão "+" ou "-" para seleccionar a função. A função está definida para o nível de protecção médio "H2" quando o frigorífico está pronto para a primeira utilização.

NOTA:

Recomenda-se que a protecção da bateria seja definida para H2 (nível médio) quando a unidade é utilizada num automóvel.

Recomenda-se que defina a protecção da bateria para H2 (nível médio) ou H1 (nível baixo) se for uma bateria externa ou uma bateria de reserva.

Devido à diferença na tensão de saída das diferentes saídas da fonte de alimentação do veículo, se houver protecção de tensão (o visor LCD mostra F1), a função da bateria pode ser reduzida para uma mais baixa (H3 é comutado para H2 ou H1).

* O botão "+" (F) é utilizado para aumentar a temperatura ou outras definições descritas acima.

* O botão "-" (G) é utilizado para diminuir a temperatura ou outras definições descritas acima.

* Indicador de alimentação (C):

- Quando o frigorífico está ligado, o indicador luminoso fica vermelho.

- Quando o frigorífico está desligado, a luz apaga-se.

* Indicador de erro (D):

- Em caso de avaria, o sinal sonoro toca continuamente.
- Os códigos de avaria aparecem no ecrã.
- O indicador de avaria (D) acende-se a azul.

* Ecrã LCD (E): mostra

- Apresenta a temperatura e outras definições.
- Podem aparecer códigos de avaria no ecrã, como se segue:

F1: Falha de tensão

F2: Falha na corrente do ventilador

F3: Defeito no arranque do compressor

F4: Defeito na velocidade mínima do compressor

F5: Defeito na temperatura do controlador

E0: Circuito do sensor interrompido

E1: Curto-circuito do sensor

O ecrã LCD permite que a temperatura seja definida de -20°C a $+20^{\circ}\text{C}$. A temperatura real alcançada no interior da unidade depende das condições externas. Por exemplo, a uma temperatura ambiente de $+25^{\circ}\text{C}$, a temperatura mais baixa alcançada no interior da unidade é de -20°C . A unidade não tem uma função de aquecimento.

NOTA: Se o sistema funcionar mal, verifique primeiro se a tensão da bateria está correcta. Se a tensão da bateria estiver correcta, aguarde 3 minutos antes de ligar o frigorífico. Se o sistema continuar a funcionar mal depois de reiniciar o aparelho, contacte o serviço de assistência para obter ajuda.

Ajustes de temperatura comuns para armazenamento:

- Vinho ($+6^{\circ}\text{C}$ a $+18^{\circ}\text{C}$)
- Vacinas, insulina (de $+2^{\circ}\text{C}$ a -8°C)
- Frutas (de 4°C a -6°C)
- Bebidas (de 2°C a -5°C)
- Carne (-10°C)
- Gelados (-15°C)

Tenha cuidado se quiser guardar medicamentos no frigorífico. Embale os alimentos em recipientes/sacos concebidos para o efeito antes de os colocar na unidade.

LIMPEZA E MANUTENÇÃO

Desligue sempre o aparelho da tomada antes de o limpar.

Limpar com um pano macio e seco, utilizando detergentes suaves. Não utilize solventes químicos, pois podem provocar danos permanentes ou deformações no aparelho.

RESOLUÇÃO DE PROBLEMAS

Siga o guia de resolução de problemas abaixo para resolver problemas comuns.

Problema I: A unidade não funciona de todo e não apresenta sinais de energia.

Causa possível 1: O aparelho não está a funcionar.

Solução para a causa possível 1: Verificar se o aparelho está ligado.

Causa possível 2: Alimentação insuficiente.

Solução para a causa possível 2: Deslocar o aparelho para outra tomada. Verificar o disjuntor. (Consultar a placa de características na parte de trás do aparelho para determinar o consumo de corrente).

Causa possível 3: Cabo de alimentação CC

Solução para a causa 4: Testar o aparelho com outra fonte de alimentação, por exemplo, outro veículo com uma tomada de corrente contínua que funcione.

Causa possível 4: Fios desligados.

Solução para a causa possível 5: Contactar o serviço de apoio ao cliente.

Problema II: O aparelho emite ruídos estranhos.

Causa possível 1: O aparelho não está nivelado.

Solução 1: Deslocar o aparelho para uma superfície plana e nivelada.

Problema III: O aparelho emite um som metálico alto e contínuo de batida.

Causa possível 1: O aparelho pode ter sido colocado de lado.

Solução 1: Desligar o aparelho. Deixar o aparelho numa superfície plana durante pelo menos 24 horas e voltar a ligá-

lo.

Causa possível 2: Compressor defeituoso

Solução 2: Contactar o serviço de apoio ao cliente.

Problema IV: A unidade funciona durante algum tempo e depois dispara o cabo de alimentação ou o disjuntor.

Causa possível: O aparelho pode estar ligado a uma tomada que não fornece energia adequada.

Solução: Contactar um electricista se o aparelho estiver a funcionar noutra divisão ou circuito.

Problema V: As luzes do painel de controlo piscam aleatoriamente.

Causa possível: O aparelho pode ter um painel de controlo defeituoso.

Solução: Reinicie o aparelho e, se o problema persistir, contacte o serviço de apoio ao cliente.

Problema VI: Ocorreu um erro HH no aparelho

Causa possível: A temperatura ambiente excedeu os 40°C.

Solução: Reinicie o dispositivo e, se o problema persistir, contacte o serviço de apoio ao cliente.

Problema VII: Ocorreu um erro de OC na unidade.

Causa possível: Foi detectado um erro no termóstato.

Solução: Reinicie a unidade e, se o problema persistir, contacte o serviço de apoio ao cliente.

Problema VIII: Ocorreu um erro de S.C. na unidade.

Causa possível: Foi detectado um curto-circuito no termóstato.

Solução: Reiniciar o aparelho e, se o problema persistir, contactar o serviço de apoio ao cliente.

Problema IX: A unidade está ligada mas o compressor não está a funcionar.

Causa possível 1: A temperatura ambiente é demasiado baixa.

Solução 1: Deslocar a unidade para um local mais quente.

Causa possível 2: Cabo desligado.

Solução 2: Contactar o serviço de apoio ao cliente.

CUIDADO: PERIGO DE INCÊNDIO / MATERIAL INFLAMÁVEL



DADOS TÉCNICOS

Capacidade: 40 litros

Alimentação eléctrica:

- DC 12V / 24V - tomada de isqueiro

- 230V ~50/60Hz - tomada de rede eléctrica após utilização de uma fonte de alimentação externa (não incluída)

Refrigerante: R600a / 40g

Classe climática: S / SN

Isolamento: C5H10

Consumo nominal de energia: 45W

Corrente nominal máxima: 3,7A

Para proteção do ambiente. As embalagens de cartão e os sacos de polietileno (PE) devem ser eliminados nos contentores adequados para a recolha selectiva de resíduos urbanos, de acordo com a sua descrição. Se o aparelho contiver pilhas, estas devem ser retiradas e eliminadas separadamente num centro de recolha e armazenamento. O aparelho usado deve ser levado para um local de recolha e armazenamento adequado, uma vez que as substâncias perigosas que contém podem constituir um risco para a saúde e para o ambiente. A marcação no produto indica que o aparelho não deve ser deitado no contentor do lixo municipal. Os resíduos de equipamentos eléctricos são resíduos que contém substâncias nocivas para os seres humanos, os animais e o ambiente. Estas substâncias podem contaminar o solo, a água ou o ar e, através disso, podem entrar no corpo humano e provocar uma série de problemas de saúde, tais como perturbações da visão, da audição e da fala, podendo também danificar os rins, o fígado e o coração e provocar doenças de pele. As substâncias nocivas podem também ter efeitos adversos nos sistemas



respiratório e reprodutivo e provocar alterações cancerígenas. O consumo de plantas que crescem nos solos afectados e de produtos fabricados a partir deles pode provocar os efeitos na saúde acima referidos. **Não deitar o equipamento no contentor do lixo municipal!**

Assistência técnica Se desejar adquirir peças sobresselentes ou se tiver alguma reclamação a fazer, contacte directamente o revendedor que emitiu o recibo.

Naudojimo instrukcija (LT)

BENDROSIOS SAUGOS SĄLYGOS SVARBŪS NAUDOJIMO SAUGOS NURODYMAI ATIDŽIAI PERSKAITYKITE IR SAUGOKITE ATEITYJE

1. Prieš naudodami prietaisą perskaitykite naudojimo instrukciją ir laikykitės joje pateiktų nurodymų. Gamintojas neatsako už žalą, padarytą naudojant prietaisą ne pagal paskirtį arba netinkamai su juo elgiantis.
2. Prietaisas skirtas tik nekomerciniam naudojimui. Nenaudokite jo jokiais kitais tikslais, nesuderinamais su jo paskirtimi.
3. Prietaisą pagal poreikį reikia prijungti prie automobilio "cigarečių žiebtuvėlio" lizdo, kuriame yra 12 arba 24 V įtampa, arba prie 220-240 V ~ 50-60 Hz elektros tinklo lizdo. (Priklausomai nuo prietaiso tipo, pasirinkite atitinkamą maitinimo parametą).
Siekiant padidinti naudojimo saugumą, prie vienos grandinės vienu metu negalima jungti kelių elektros prietaisų.
4. Būkite ypač atsargūs naudodami prietaisą, kai šalia yra vaikų. Neleiskite vaikams žaisti su prietaisu neleiskite juo naudotis vaikams ar kitiems asmenims, kurie nėra susipažinę su prietaisu.
5. **ĮSPĖJIMAS:** Šį prietaisą gali naudoti vyresni nei 8 metų vaikai ir asmenys su ribotais fiziniais, jutimais ar protiniais gebėjimais arba asmenys, neturintys patirties ar žinių apie prietaisą, jei tai daroma prižiūrint asmeniui, atsakingam už jų saugą, arba jei jiems buvo pateiktos instrukcijos dėl saugaus prietaiso naudojimo ir jie žino su prietaiso naudojimu susijusius pavojus. Vaikai neturėtų žaisti su įranga. Valyti ir prižiūrėti įrangos neturėtų vaikai, nebent jie yra vyresni nei 8 metų ir ši veikla atliekama prižiūrint.
6. Po naudojimo visada ištraukite kištuką iš elektros lizdo, laikydami jį ranka. **NEBANDYKITE** traukti už elektros tinklo laido.
7. **NEMERKITE** laido, kištuko ar viso įrenginio į vandenį ar bet kokį kitą skystį. Nelaikykite prietaiso oro sąlygose (lietuje, saulėje ir pan.) ir nenaudokite jo drėgnose patalpose (vonios kambariuose, drėgnuose nameliuose ant ratų).

8. Periodiškai tikrinkite maitinimo laidų būklę. Jei maitinimo laidas pažeistas, jį turi pakeisti specializuotas remontininkas, kad būtų išvengta pavojaus.
9. Nenaudokite prietaiso su pažeistu maitinimo laidu arba jei jis buvo numestas, kitaip pažeistas ar netinkamai veikia. Neremontuokite prietaiso patys, nes kyla elektros smūgio pavojus. Pažeistą prietaisą nuneškite į kompetentingą aptarnavimo centrą, kad jis būtų patikrintas arba suremontuotas. Bet kokius remonto darbus gali atlikti tik įgalioti techninės priežiūros centrai. Netinkamas remontas gali kelti rimtą pavojų naudotojui.
10. Pastatykite prietaisą ant vėsaus, stabilaus, lygaus paviršiaus, galinčio išlaikyti prietaiso ir viso jo turinio svorį, atokiau nuo karštų virtuvės prietaisų, tokių kaip: elektrinė viryklė, dujinis degiklis ir t. t.....
11. Nenaudokite prietaiso šalia degių medžiagų.
12. Maitinimo laidas neturi kaboti per stalo kraštą ir liesti karštų paviršių.
13. Papildomai apsaugai elektros grandinėje patartina įrengti liekamosios srovės įtaisą (RCD), kurio vardinė liekamoji srovė neviršija 30 mA. Šiuo klausimu reikėtų kreiptis į specialistą elektriką.
14. Nenaudokite prietaiso, jei prijungimo lizdai yra drėgni.
15. Naudodami prietaisą automobilyje arba laive, patikrinkite, ar veikia elektros maitinimo sistemą saugantis saugiklis.
16. Saugokite prietaisą nuo šilumos šaltinių ir saulės spindulių.
17. Į prietaisą dėkite jau atvėsintus produktus.
18. Įrenginį statykite tinkamai vėdinamoje vietoje. Atstumas nuo kitų objektų turi būti ne mažesnis kaip 20 cm.
19. ĮSPĖJIMAS: neuždenkite prietaiso korpuse esančių vėdinimo angų.
20. ĮSPĖJIMAS: Apsaugokite grandinę, kurioje yra šaldymo agentas, nuo pažeidimų.
21. ĮSPĖJIMAS: Nenaudokite ir nelaikykite elektros įrangos maisto laikymo skyriuje.
22. ĮSPĖJIMAS: Atidarius dureles ilgesniam laikui, gali labai pakilti temperatūra prietaiso skyriuose.
23. ĮSPĖJIMAS: reguliariai valykite paviršius, kurie gali liestis su maistu.
24. ĮSPĖJIMAS: Žalią mėsą ir žuvį laikykite tam skirtuose induose, kad produktai nesiliestų vienas su kitu ir kad jie nepatektų ant kitų maisto produktų.
25. ĮSPĖJIMAS: Jei šaldymo įrenginys ilgesnį laiką lieka tuščias, išjunkite jį, atitirpinkite, išvalykite, išdžiovinkite ir palikite atidarytas dureles, kad įrenginyje nesusidarytų pelėsis.
26. ĮSPĖJIMAS: Šaldytuve nelaikykite sprogių medžiagų, pavyzdžiui,

skardinių su degių aerozoliu ir pan.

27. ĮSPĖJIMAS: statydami prietaisą įsitikinkite, kad maitinimo laidas nėra prispaustas šaldytuvo ar pažeistas.

28. ĮSPĖJIMAS: netieskite prailgintuvų ar nešiojamųjų maitinimo šaltinių šalia prietaiso ar už jo.

29. ĮSPĖJIMAS: Nenaudokite mechaninių prietaisų ar atitirpinimo greitintuvų, išskyrus tuos, kuriuos rekomenduoja gamintojas.

Prieš pirmą naudojimą: Tinkama vieta

1. Prieš pirmą kartą naudodami nuimkite visą pakuotę ir aplink prietaisą palikite bent 15 cm laisvos vietos (5 cm šone, 10 cm prietaiso gale).

2. Pastatykite šaldytuvą sausoje ir gerai vėdinamoje vietoje. Šaldytuvą laikykite atokiau nuo tiesioginių saulės spindulių, šildytuvų ir korozinių dujų.

PASTABA: Kadangi prietaisas veikia su kompresoriumi, aplink prietaisą reikia pakankamai erdvės, kad būtų galima tinkamai ventiliuoti orą.

PASTABA: Nerekomenduojama perkelti įrenginio, jei grindys nėra lygios. Nenaudokite, jei šaldytuvą yra pasviręs. Jei šaldytuvą tempiamas į vietą, kurioje bus naudojamas, pastatykite jį vertikaliai ir prieš naudodami palaukite 10 minučių. Perkeldami šaldytuvą, visada naudokite abi rankenas, kad prietaisas būtų perkeltas kuo horizontaliau. Taip siekiama apsaugoti kompresorių ir sandarinimo sistemą

ĮSPĖJIMAS: šiam prietaisui perkelti ir tvarkyti naudokite bent du žmones. Nepaisydami šio įspėjimo, galite susižaloti nugarą arba patirti kitų sužalojimų.

3. Jei įmanoma, nešiojamąjį šaldytuvą laikykite atokiau nuo karščio ir tiesioginių saulės spindulių.

4. Nešiojamasis šaldytuvą tinka naudoti automobilyje ir stovyklavietėje, tačiau prietaiso negalima laikyti po lietumi ar kitomis atšiauriomis oro sąlygomis.

5. Nešiojamojo šaldytuvo nereikėtų statyti įmontuotoje ar įdubusioje vietoje. Prietaisas skirtas statyti laisvai.

6. Įprastas šaldytuvo veikimas priklauso nuo kondensatoriaus skleidžiamos šilumos.

7. Vidinį paviršių valykite trupučiu drungno vandens ir minkšta šluoste.

Pastaba: Jungdami nuolatinės srovės maitinimo laidą, įsitikinkite, kad įvestis yra 12 V ~ DC / 24 V maitinimo šaltinis.

SVARBU: Nenuimkite nuo nešiojamojo automobilinio šaldytuvo jokių įspėjimų, įspėjimų ar gaminio informacijos etikečių.

ĮRENGINIO APRAŠYMAS Nešiojamasis šaldytuvai - A pav

1. Pagrindas 2. Kištukinis lizdas

3. Laikiklis 4. Rėmas

5. Dangtis 6. Valdymo skydelis

7. Nuolatinės srovės maitinimo laidas - naudoti keliaujant, įkišti tiesiai į automobilio cigarečių žiebtuvėlį

VALDYMO PANELIS - B pav

A - Įjungimo / išjungimo įjungimo mygtukas

B - SET mygtukas

C - maitinimo indikatorius

D - klaidos indikatorius

E - LCD ekranas

F - "+" mygtukas

G - "-" mygtukas

VALDYMAS

- Bandant prijungti nešiojamąjį šaldytuvą prie standartinio 12 V lizdo, įrenginys neveiks, jei lizdo įtampa bus mažesnė nei 9,6 V. Įrenginys vėl įsijungs, kai įtampa pasieks 12,2 V ar daugiau.

- Bandant prijungti prietaisą prie standartinio 24 V lizdo, prietaisas neveiks, jei lizdo įtampa bus mažesnė nei 21,3 V.

Įrenginys vėl įsijungs, kai įtampa pasieks 25,2 V ar daugiau.

- Prietaisą taip pat galima prijungti prie 230 V ~50/60 Hz elektros tinklo, kai naudojamas išorinis maitinimo šaltinis (į komplektą neįtrauktas). Rekomenduojamas kintamosios / nuolatinės srovės maitinimo šaltinio modelis yra CR8076.1.

VALDYMO PANELIS (7) - B pav

Jūsų nešiojamame šaldytuve termostatui reguliuoti naudojama skaitmeninė valdymo sistema.

* Maitinimo mygtukas (A) - ON (įjungta). / OFF.

1. Prijunkite šaldytuvą prie maitinimo šaltinio, vieną kartą paspauskite maitinimo mygtuką (A), kad įjungtumėte įrenginį.

2. Paspauskite maitinimo mygtuką (A) dar kartą, šaldytuvą išsijungs.

* SET mygtukas :

Ilgai paspauskite SET mygtuką 3 sekundes ir įeikite į išplėstinius režimus:

ĮTAMPŲ APSAUGOS REŽIMAS:

Įrenginys turi tris akumuliatoriaus apsaugos funkcijas, kurios apsaugo įprastą šaldytuvo veikimą ir saugo transporto priemonės akumuliatorių.

Šie trys akumuliatoriaus apsaugos lygiai:

H3 - aukštas apsaugos lygis

12 V: sustoja esant 10,9 V įtampai ir pradeda veikti esant 12,2 V įtampai.

24 V: sustoja esant 23,8 V ir įsijungia esant 25,2 V.

H2 - vidutinis apsaugos lygis

12 V: sustoja esant 9,7 V įtampai ir įsijungia esant 11,0 V įtampai.

24 V: sustoja esant 21,5 V ir įsijungia esant 22,9 V.

H1 - žemas apsaugos lygis:

12 V: sustoja esant 9,6 V ir įsijungia esant 10,9 V.

24 V: sustoja esant 21,3 V ir įsijungia esant 22,7 V.

Trumpai paspauskite mygtuką "+" arba "-", kad pasirinktumėte funkciją. Kai šaldytuvą yra paruoštas pirmam naudojimui, funkcija nustatoma į vidutinį apsaugos lygį "H2".

DĖMESIO: JEI ŠALDYTUVAS VEIKIA KAIP ŠALDYTUVAS, KURĮ NORITE NAUDOTI, GALITE JĮ NAUDOTI TIK TADA, KAI JIS YRA IŠJUNGTAS:

Kai įrenginys naudojamas automobilyje, rekomenduojama nustatyti akumuliatoriaus apsaugą "H2" (vidutinis lygis).

Rekomenduojama nustatyti akumuliatoriaus apsaugą į H2 (vidutinis lygis) arba H1 (žemas lygis), jei naudojamas išorinis akumuliatorius arba atsarginis akumuliatorius.

Dėl skirtingų automobilio maitinimo šaltinio išėjimų išėjimo įtampos skirtumo, jei yra apsauga nuo įtampos (LCD ekrane rodoma F1), akumuliatoriaus funkciją galima sumažinti iki žemesnės (H3 perjungama į H2 arba H1).

* Mygtukas "+" (F) naudojamas temperatūrai arba kitiems pirmiau aprašytiems nustatymams padidinti.

* Mygtukas "-" (G) naudojamas temperatūrai arba kitiems pirmiau aprašytiems nustatymams sumažinti.

* Maitinimo indikatorius (C):

- Kai šaldytuvą įjungtas, indikatorius šviečia raudonai.

- Kai šaldytuvą išjungiamas, lemputė užgesa.

* Klaidų indikatorius (D):

- Gedimo atveju nuolat skamba garsinis signalas.

- Ekrane bus rodomi gedimų kodai.

- Gedimo indikatorius (D) užsidegs mėlynai.

* LCD ekranas (E): rodo

- Rodoma temperatūra ir kiti nustatymai.

- Ekrane gali būti rodomi gedimų kodai, kaip nurodyta toliau:

F1: įtampos gedimas

F2: ventiliatoriaus srovės gedimas

F3: Kompresoriaus paleidimo gedimas

F4: minimalaus kompresoriaus sūkių dažnio gedimas

F5: Valdiklio temperatūros triktis

E0: nutrūkusi jutiklio grandinė

E1: Trumpas jutiklio jungimas

LCD ekrane galima nustatyti temperatūrą nuo -20 °C iki +20 °C. Realiai pasiekiamą temperatūrą įrenginio viduje priklauso nuo išorinių sąlygų. Pavyzdžiui, esant +25 °C aplinkos temperatūrai, žemiausia pasiekta temperatūra įrenginio viduje yra -20 °C. Įrenginys neturi šildymo funkcijos.

PASTABA: Jei sistema veikia netinkamai, pirmiausia patikrinkite, ar teisingai įjungta akumuliatoriaus įtampa. Jei akumuliatoriaus įtampa teisinga, prieš įjungdami šaldytuvą palaukite 3 minutes. Jei iš naujo įjungus prietaisą sistema vis dar veikia netinkamai, kreipkitės pagalbos į aptarnavimo tarnybą.

Įprasti laikymo temperatūros nustatymai:

- Vynas (nuo +6 °C iki +18 °C)

- Vakcinos, insulinas (nuo +2 °C iki -8 °C)

- Vaisiai (nuo 4 °C iki -6 °C)

- Gėrimai (nuo 2 °C iki -5 °C)

- Mėsa (-10 °C)

- Ledai (-15 °C)

Būkite atsargūs, jei šaldytuve norite laikyti vaistus. Prieš dėdami maistą į šaldytuvą, supakuokite jį į tam skirtus indus / maišelius.

VALYMAS IR PRIEŽIŪRA

Prieš valydami visada atjunkite prietaisą nuo elektros tinklo.

Valykite minkšta, sausa šluoste, naudodami švelnius ploviklius. Nenaudokite cheminių tirpiklių, nes jie gali negrįžtamai sugadinti arba deformuoti prietaisą.

TRIKČIŲ ŠALINIMAS

Norėdami išspręsti dažniausiai pasitaikančias problemas, vadovaukitės toliau pateiktu trikčių šalinimo vadovu.

I problema: įrenginys neveikia ir nerodo jokių maitinimo požymių.

Galima priežastis 1: Įrenginys nėra maitinamas.

1 galimos priežasties sprendimas: Įsitikinkite, kad įrenginys yra prijungtas.

Galima priežastis 2: Nepakankamas maitinimas.

Galimos 2 priežasties sprendimas: Perkelkite prietaisą į kitą lizdą. Patikrinkite grandinės pertraukiklį. (Norėdami nustatyti suvartojamos srovės kiekį, žr. prietaiso galinėje pusėje esančią vardinę lentelę).

Galima 3 priežastis: nuolatinės srovės maitinimo kabelis

4 galimos priežasties sprendimas: išbandykite prietaisą su kitu maitinimo šaltiniu, pvz., kitu automobiliu su žinomu veikiančiu nuolatinės srovės lizdu.

Galima 4 priežastis: Atjungti laidai.

5 galimos priežasties sprendimas: Kreipkitės į klientų aptarnavimo tarnybą.

II problema: Įrenginys skleidžia keistus garsus.

Galima priežastis 1: Įrenginys nėra lygus.

Sprendimas 1: Perkelkite prietaisą ant lygaus, lygaus paviršiaus.

III problema: Įrenginys skleidžia garsų, nenutrūkstamą metalinio stuksenimo garsą.

Galima priežastis 1: Įrenginys galėjo būti pasiūstas ant šono.

1 sprendimas: Išjunkite įrenginį. Palikite įrenginį ant lygaus paviršiaus bent 24 valandoms ir vėl įjunkite.

Galima 2 priežastis: Sugedęs kompresorius

2 sprendimas: Kreipkitės į klientų aptarnavimo tarnybą.

IV problema: Įrenginys kurį laiką veikia, o paskui suveikia maitinimo laidas arba grandinės pertraukiklis.

Galima priežastis: Prietaisas gali būti įjungtas į elektros lizdą, kuris netiekia tinkamos galios.

Sprendimas: Kreipkitės į elektriką, jei prietaisas veikia kitoje patalpoje arba grandinėje.

V problema: Valdymo skydelio lemputės mirksi atsitiktinai.

Galima priežastis: Gali būti, kad prietaisas turi sugedusį valdymo skydelį.

Sprendimas: Paleiskite prietaisą iš naujo ir, jei problema išlieka, kreipkitės į klientų aptarnavimo tarnybą.

VI problema: Prietaise įvyko HH klaida

Galima priežastis: Aplinkos temperatūra viršijo 40 °C.

Sprendimas: Iš naujo paleiskite prietaisą ir, jei problema išlieka, kreipkitės į klientų aptarnavimo tarnybą.

VII problema: Įrenginyje įvyko OC klaida.

Galima priežastis: Aptikta termostato klaida.

Sprendimas: Iš naujo įjunkite įrenginį ir, jei problema išlieka, kreipkitės į klientų aptarnavimo tarnybą.

VIII problema: Įrenginyje įvyko S.C. klaida.

Galima priežastis: Termostate aptiktas trumpasis jungimas.

Sprendimas: Iš naujo įjunkite prietaisą ir, jei problema išlieka, kreipkitės į klientų aptarnavimo tarnybą.

IX problema: Įrenginys įjungtas, tačiau kompresorius neveikia.

Galima priežastis 1: Aplinkos temperatūra yra per žema.

Sprendimas 1: Perkelkite įrenginį į šiltesnę vietą.

Galima priežastis 2: Atjungtas kabelis.

2 sprendimas: kreipkitės į klientų aptarnavimo tarnybą.

ĮSPĖJIMAS: GAISRO PAVOJUS / DEGI MEDŽIAGA



TECHNINIAI DUOMENYS

Talpa: 40 litrų

Maitinimo šaltinis:

- Nuolatinės srovės 12 V / 24 V - cigarečių uždegiklio lizdas

- 230V ~50/60Hz - tinklo lizdas, jei naudojamas išorinis maitinimo blokas (neįtrauktas į komplektą)

Šaldymo medžiaga: R600a / 40g

Klimato klasė: S / SN

Izoliacija: C5H10

Vardinis suvartojamos galios kiekis: 45W

Didžiausia vardinė srovė: 3,7 A

Aplinkosaugos sumetimais. Kartono pakuotes ir polietileno (PE) maišelius reikia išmesti į atitinkamus rūšiuojamojo komunalinių atliekų surinkimo konteinerius pagal jų aprašymą. Jei prietaise yra baterijų, jas reikia išimti ir išmesti atskirai į atliekų surinkimo ir saugojimo vietą. Panaudotą prietaisą reikia nuvežti į atitinkamą surinkimo ir saugojimo vietą, nes jame esančios pavojingos medžiagos gali kelti pavojų sveikatai ir aplinkai. Ant gaminio esantis ženklas nurodo, kad prietaiso negalima išmesti į komunalinių atliekų konteinerį. Elektros įrangos atliekos - tai atliekos, kuriose yra žmonėms, gyvūnams ir aplinkai kenksmingų medžiagų. Šios medžiagos gali užteršti dirvožemį, vandenį ar orą, o per tai jos gali patekti į žmogaus organizmą ir sukelti įvairių sveikatos sutrikimų, pavyzdžiui, regos, klausos, kalbos sutrikimų, taip pat gali pažeisti inkstus, kepenis ir širdį, sukelti odos ligas. Kenksmingos medžiagos taip pat gali turėti neigiamą poveikį kvėpavimo ir reprodukcinėi sistemoms ir sukelti vėžinius pokyčius. Augalų, augančių paveiktame dirvožemyje, ir iš jų pagamintų produktų vartojimas gali sukelti minėtą poveikį sveikatai. **Neišmeskite įrangos į komunalinių atliekų konteinerį!**

Paslauga Jei norite įsigyti atsarginių dalių arba turite nusiskundimų, kreipkitės į tiesiogiai kreipkitės į kvitą išdavusį pardavėją.

Lietošanas instrukcija (LV)

VISPĀRĪGIE DROŠĪBAS NOSACĪJUMI
SVARĪGI LIETOŠANAS DROŠĪBAS NORĀDĪJUMI
UZMANĪGI IZLASIET UN SAGLABĀJIET TURPMĀKAI ATSAUCEI

1. Pirms ierīces lietošanas izlasiet lietošanas instrukciju un ievērojiet tajā ietvertos norādījumus. Ražotājs nav atbildīgs par bojājumiem, kas radušies, lietojot ierīci neatbilstoši tās paredzētajam lietojumam vai nepareizi lietojot.
2. Ierīce ir paredzēta tikai nekomerciālai lietošanai. Neizmantojiet ierīci citiem mērķiem, kas nav saderīgi ar tās paredzēto lietojumu.
3. Ierīce pēc vajadzības jāpievieno automašīnas "cigarešu šķiltavas" kontaktligzdai ar 12V vai 24V spriegumu vai elektrotīkla 220-240 V ~ 50-60 Hz rozetei. (Atkarībā no ierīces tipa izvēlieties atbilstošo barošanas avota parametru).
- Lai paaugstinātu lietošanas drošību, vienai ķēdē nedrīkst vienlaikus pieslēgt vairākas elektroierīces.
4. Īpaši uzmanīgi lietojiet ierīci, ja tās klātbūtnē ir bērni. Neļaujiet bērniem spēlēties ar ierīci neļaujiet bērniem vai personām, kas nav pazīstamas ar ierīci, to lietot.
5. **BRĪDINĀJUMS:** Šo ierīci drīkst lietot bērni, kas vecāki par 8 gadiem, un personas ar ierobežotām fiziskajām, maņu vai garīgajām spējām vai personas bez pieredzes un zināšanām par ierīci, ja to dara par viņu drošību atbildīgas personas uzraudzībā vai ja viņi ir saņēmuši norādījumus par ierīces drošu lietošanu un ir informēti par bīstamību, kas saistīta ar ierīces lietošanu. Bērni nedrīkst spēlēties ar aprīkojumu. Iekārtas tīrīšanu un apkopi nedrīkst veikt bērni, ja vien viņi nav vecāki par 8 gadiem un darbība tiek veikta uzraudzībā.
6. Pēc lietošanas vienmēr izņemiet kontaktdakšu no elektriskās rozetes, turot to ar roku. **NEPAŅEMIET** elektrotīkla vadu.
7. **NEPIEMĒRTĪT** vadu, kontaktdakšu vai visu ierīci ūdenī vai jebkādā citā šķidrumā. Nepakļaujiet ierīci laikapstākļu iedarbībai (lietus, saule u. c.) un nelietojiet to mitros apstākļos (vannas istabās, mitros dzīvojamo māju apstākļos).
8. Periodiski pārbaudiet strāvas vada stāvokli. Ja strāvas vads ir bojāts, lai izvairītos no briesmām, tas jānomaina specializētam remontdarbu uzņēmumam.
9. Neizmantojiet ierīci ar bojātu strāvas vadu vai ja tā ir nokritusi vai citādi bojāta, vai nedarbojas pareizi. Neremontējiet ierīci paši, jo pastāv elektrošoka risks. Bojāto ierīci nogādājiet kompetentā servisa centrā pārbaudei vai remontam. Jebkādus remontdarbus drīkst veikt tikai autorizēti servisa centri. Neatbilstošs remonts var radīt nopietnu risku lietotājam.
10. Novietojiet ierīci uz vēsas, stabilas, līdzenas virsmas, kas var izturēt ierīces un visa tās satura svaru, prom no karstām virtuves ierīcēm, piemēram, elektriskās plīts, gāzes degļa u. c.....

11. Nelietojiet ierīci viegli uzliesmojošu materiālu tuvumā.
12. Strāvas vads nedrīkst karāties pāri galda malai vai pieskarties karstām virsmām.
13. Lai nodrošinātu papildu aizsardzību, ieteicams elektriskajā ķēdē uzstādīt atdalītās strāvas ierīci (RCD), kuras nominālā atdalītā strāva nepārsniedz 30 mA. Šajā jautājumā jākonsultējas ar speciālistu elektriķi.
14. Neizmantojiet ierīci, ja savienojuma kontaktligzdas ir mitras.
15. Lietojot ierīci automašīnā vai uz kuģa, pārbaudiet, vai darbojas strāvas padeves sistēmas aizsargdrošinātājs.
16. Sargājiet ierīci no karstuma avotiem un saules gaismas.
17. Ievietojiet ierīcē jau atdzesētus produktus.
18. Novietojiet ierīci pareizi vēdināmā vietā. Attālumam no citiem priekšmetiem jābūt vismaz 20 cm.
19. BRĪDINĀJUMS: Neaizsprostojiet ventilācijas atveres ierīces korpusā.
20. BRĪDINĀJUMS: Aizsargājiet aukstumaģentu saturošo ķēdi no bojājumiem.
21. BRĪDINĀJUMS: Nelietojiet un neglabājiet elektroiekārtas pārtikas uzglabāšanas nodalījumā.
22. BRĪDINĀJUMS: Atverot durvis uz ilgāku laiku, var ievērojami paaugstināties temperatūra ierīces nodalījumos.
23. BRĪDINĀJUMS: regulāri tīriet virsmas, kas var nonākt saskarē ar pārtikas produktiem.
24. BRĪDINĀJUMS: Jēlgaļu un zivis uzglabājiet tam paredzētos traukos, lai produkti nesaskartos viens ar otru un lai tie nenokristu uz citiem pārtikas produktiem.
25. BRĪDINĀJUMS: Ja aukstumiekārta ilgāku laiku paliek tukša, izslēdziet to, atkausējiet, iztīriet, nosusiniet un atstājiet durvis atvērtas, lai novērstu pelējuma veidošanos iekārtā.
26. BRĪDINĀJUMS: Ledusskapja iekšpusē neuzglabājiet sprādzienbīstamus materiālus, piemēram, bundžas ar uzliesmojošu aerosolu u. c.
27. BRĪDINĀJUMS: Uzstādot ierīci, pārliecinieties, ka ledusskapis nav saspiedis vai sabojājis strāvas vadu.
28. BRĪDINĀJUMS: ierīces tuvumā vai aiz tās nenovietojiet pagarinātājus vai pārnēsājamos barošanas avotus.
29. BRĪDINĀJUMS: Neizmantojiet mehāniskas ierīces vai atkausēšanas paātrinātājus, izņemot ražotāja ieteiktos.

Pirms pirmās lietošanas reizes: Pareiza atrašanās vieta

1. Pirms pirmās lietošanas noņemiet visu iepakojumu un atstājiet vismaz 15 cm brīvu vietu ap ierīci (5 cm sānos, 10 cm

ierīces aizmugurē).

2. Novietojiet ledusskapi sausā un labi vēdināmā vietā. Uzglabājiet ledusskapi tālu no tiešiem saules stariem, sildītājiem un kodīgām gāzēm.

PIEZĪME: Tā kā ierīces darbība ir balstīta uz kompresoru, ap ierīci ir nepieciešams pietiekami daudz vietas, lai nodrošinātu pareizu ventilāciju.

PIEZĪME: Ierīci nav ieteicams pārvietot, ja grīda nav gluda. Neizmantojiet, ja ledusskapis ir sasniedzis. Ja ledusskapis ir pārvilkts uz lietojamo vietu, pirms lietošanas novietojiet to vertikāli un pagaidiet 10 minūtes. Pārvietojot ledusskapi, vienmēr izmantojiet abus rokturus, lai pārvietotu ierīci pēc iespējas horizontālāk. Tas tiek darīts, lai aizsargātu kompresoru un hermētisko sistēmu

BRĪDINĀJUMS: Šīs ierīces pārvietošanai un pārvietošanai izmantojiet vismaz divus cilvēkus. Neievērojot šo brīdinājumu, varat gūt muguras vai citas traumas.

3. Ja iespējams, pārvietojamo ledusskapi uzglabājiet tālu no karstuma un tiešiem saules stariem.

4. Portatīvais ledusskapis ir piemērots lietošanai automašīnā un kempingā, taču ierīci nedrīkst pakļaut lietum vai citiem skarbiem laika apstākļiem.

5. Pārnēsājamo ledusskapi nedrīkst novietot iebūvētā vai padziļinātā vietā. Ierīce ir paredzēta novietošanai brīvstāvošā stāvoklī.

6. Ledusskapja normāla darbība ir atkarīga no siltuma izstarpes no kondensatora.

7. Notīriet iekšējo virsmu ar nedaudz remdena ūdens un mīkstu drānu.

Piezīme: Pievienojot līdzstrāvas barošanas vadu, pārliecinieties, ka ieejas avots ir 12 V ~ līdzstrāvas / 24 V barošanas avots.

Svarīgi: Nenovāciet no portatīvā auto ledusskapja brīdinājuma, brīdinājuma vai produkta informācijas uzlīmes.

Ierīces apraksts Portatīvais ledusskapis - A attēls

1. Pamatne 2. Iespraužamā kontaktligzda

3. Turētājs 4. Rāmis

5. Vāks 6. Vadības panelis

7. Līdzstrāvas barošanas kabelis - izmantošanai ceļojuma laikā, pievienojiet tieši automašīnas cigarešu aizdedzinātājā

KONTROLPANEĻA - B attēls

A - ieslēgšanas/izslēgšanas poga

B - SET poga

C - strāvas indikators

D - kļūdas indikators

E - LCD displejs

F - "+" poga

G - poga "-"

DARBĪBA

- Mēģinot pievienot portatīvo ledusskapi standarta 12 V kontaktligzdai, ierīce nedarbosies, ja kontaktligzdas spriegums būs zemāks par 9,6 V. Ierīce sāks darboties no jauna, kad spriegums sasniegs 12,2 V vai vairāk.

- Mēģinot pieslēgt ierīci standarta 24 V kontaktligzdai, ierīce nedarbosies, ja kontaktligzdas spriegums būs mazāks par 21,3 V. Ierīce ieslēgsies no jauna, kad spriegums sasniegs 25,2 V vai vairāk.

- Ierīci var pieslēgt arī 230 V ~ 50/60 Hz elektrotīklam, izmantojot ārējo barošanas avotu (nav iekļauts komplektā). Ieteicamais AC/DC barošanas avota modelis ir CR8076.1.

KONTROLES PANELIS (7) - B attēls

Jūsu portatīvajā ledusskapī termostata regulēšanai tiek izmantota digitālā vadības sistēma.

* Iedarbināšanas poga (A) - ieslēgts. / IZSLĒGTS.

1. Pievienojiet ledusskapi strāvas avotam, vienreiz nospiediet ieslēgšanas pogu (A), lai ieslēgtu ierīci.

2. Nospiediet ieslēgšanas pogu (A) vēlreiz, un ledusskapis izslēgsies.

* SET poga :

Ilgstoši nospiediet SET pogu uz 3 sekundēm un ievadiet uzlabotos režīmus:

SPRIEGUMA AIZSARDZĪBAS REŽĪMS:

Ierīcei ir trīs akumulatora aizsardzības funkcijas, kas aizsargā ledusskapja normālu darbību un aizsargā transportlīdzekļa akumulatoru.

Šie trīs akumulatora aizsardzības līmeņi:

H3 - augsts aizsardzības līmenis

12 V: apstājas pie 10,9 V un sākas pie 12,2 V.

24 V: apstājas pie 23,8 V un sākas pie 25,2 V.

H2 - vidējs aizsardzības līmenis

12 V: apstājas pie 9,7 V un sākas pie 11,0 V.

24 V: apstājas pie 21,5 V un sākas pie 22,9 V.

H1 - zems aizsardzības līmenis:

12 V: apstājas pie 9,6 V un sākas pie 10,9 V.

24 V: apstājas pie 21,3 V un sākas pie 22,7 V.

Īsi nospiediet pogu "+" vai "-", lai izvēlētos funkciju. Kad ledusskapis ir gatavs pirmajai lietošanai, funkcija tiek iestatīta uz vidējo aizsardzības līmeni "H2".

PIEZĪME:

Ieteicams iestatīt akumulatora aizsardzību uz H2 (vidējais līmenis), ja ierīce tiek izmantota automašīnā.

Ja tas ir ārējais akumulators vai rezerves akumulators, ieteicams iestatīt akumulatora aizsardzību uz H2 (vidējs līmenis) vai H1 (zems līmenis).

Ņemot vērā atšķirīgo izejas spriegumu no dažādām transportlīdzekļa barošanas avota izejām, ja ir sprieguma aizsardzība (LCD displejā tiek rādīts F1), akumulatora funkciju var samazināt līdz zemākai (H3 tiek pārslēgts uz H2 vai H1).

* Pogu "+" (F) izmanto, lai palielinātu temperatūru vai citus iepriekš aprakstītos iestatījumus.

* Pogu "-" (G) izmanto, lai samazinātu temperatūru vai citus iepriekš aprakstītos iestatījumus.

* Enerģijas indikators (C):

- Kad ledusskapis ir ieslēgts, indikatora gaisma ir sarkana.

- Kad ledusskapis ir izslēgts, indikatora gaisma nodziest.

* Kļūdas indikators (D):

- Bojājuma gadījumā skaņas signāls skan nepārtraukti.

- Uz ekrāna parādīsies kļūdu kodi.

- Bojājumu indikators (D) iedegas zilā krāsā.

* LCD displejs (E): parāda

- Parāda temperatūru un citus iestatījumus.

- Ekrānā var parādīties kļūdu kodi, kā norādīts turpmāk:

F1: sprieguma kļūme

F2: ventilatora strāvas traucējums

F3: Kompresora palaišanas kļūme

F4: minimālā kompresora apgriezīenu skaita kļūme

F5: Kontroliera temperatūras kļūda

E0: Pārtraukta sensora ķēde

E1: Sensora īssavienojums

LCD displejā var iestatīt temperatūru no -20 °C līdz +20 °C. Reāli sasniegtā temperatūra ierīces iekšienē ir atkarīga no ārējiem apstākļiem. Piemēram, ja apkārtējās vides temperatūra ir +25 °C, zemākā sasniegtā temperatūra ierīces iekšpusē ir -20 °C. Ierīcei nav sildīšanas funkcijas.

PIEZĪME: Ja sistēma nedarbojas pareizi, vispirms pārbaudiet, vai akumulatora spriegums ir pareizs. Ja akumulatora spriegums ir pareizs, pirms ledusskapja ieslēgšanas pagaidiet 3 minūtes. Ja pēc ierīces atkārtotas iedarbināšanas sistēma joprojām darbojas nepareizi, sazinieties ar servisa dienestu, lai saņemtu palīdzību.

Kopējie uzglabāšanas temperatūras iestatījumi:

- Vīns (+ 6 °C līdz + 18 °C)

- Vакcīnas, insulīns (no + 2 °C līdz - 8 °C)

- Augļi (no 4 °C līdz - 6 °C)

- Dzērieni (no 2 °C līdz - 5 °C)
- Gaļa (-10 °C)
- Saldējums (-15 °C)

Esiet uzmanīgi, ja vēlaties ledusskapī uzglabāt medikamentus. Pirms ievietošanas ledusskapī iepakojiet pārtiku šim nolūkam paredzētos traukos/ maisiņos.

TĪRĪŠANA UN APKOPE

Pirms tīrīšanas vienmēr atvienojiet ierīci no tīkla.

Tīriet ar mīkstu, sausu drānu, izmantojot maigus mazgāšanas līdzekļus. Neizmantojiet ķīmiskus šķīdinātājus, jo tie var radīt neatgriezeniskus ierīces bojājumus vai deformāciju.

PROBLĒMU NOVĒRŠANA

Lai atrisinātu biežāk sastopamās problēmas, sekojiet tālāk sniegtajai problēmu novēršanas rokasgrāmatai.

I problēma: Ierīce nedarbojas vispār un nerāda nekādas jaudas pazīmes.

Iespējamais cēlonis 1: Ierīcei nav strāvas.

Iespējamā 1. cēloņa risinājums: Pārlicinieties, vai ierīce ir pieslēgta.

Iespējamais cēlonis Nr. 2: Nepietiekama jauda.

Iespējamā cēloņa risinājums 2: Pārvietojiet ierīci uz citu kontaktlīdzi. Pārbaudiet ķēdes pārtraucēju. (Lai noteiktu strāvas patēriņu, skatiet ierīces aizmugurē redzamo nominālpārspriegumu).

Iespējamais cēlonis Nr. 3: Līdzstrāvas barošanas kabelis

Iespējamā 4. cēloņa risinājums: Pārbaudiet ierīci, izmantojot citu barošanas avotu, piemēram, citu transportlīdzekli ar zināmu funkcionējošu līdzstrāvas kontaktlīdzi.

Iespējamais cēlonis Nr. 4: atvienoti vadi.

5. iespējamā cēloņa risinājums: Sazinieties ar klientu apkalpošanas dienestu.

II problēma: Ierīce rada divvainus trokšņus.

Iespējamais cēlonis 1: Ierīce nav horizontālā stāvoklī.

Risinājums 1: Pārvietojiet ierīci uz līdzenas, līdzenas virsmas.

Problēma III: Ierīce izdod skaļu, nepārtrauktu metāla piesitiena skaņu.

Iespējamais cēlonis 1: ierīce, iespējams, ir novietota uz sāniem.

Risinājums 1: Izslēdziet ierīci. Atstājiet ierīci uz līdzenas virsmas vismaz uz 24 stundām un atkārtoti ieslēdziet.

Iespējamais cēlonis Nr. 2: Bojāts kompresors

Risinājums Nr. 2: Sazinieties ar klientu apkalpošanas dienestu.

IV problēma: Ierīce kādu laiku darbojas un pēc tam ieslēdzas strāvas vads vai ķēdes pārtraucējs.

Iespējamais cēlonis: Ierīce var būt pieslēgta kontaktlīdzī, kas nepiegādā pietiekamu strāvas padevi.

Risinājums: Sazinieties ar elektriķi, ja ierīce darbojas citā telpā vai ķēdē.

V problēma: vadības paneļa gaismas mirgo nejauši.

Iespējamais cēlonis: Ierīcei var būt bojāts vadības panelis.

Risinājums: Restartējiet ierīci un, ja problēma saglabājas, sazinieties ar klientu apkalpošanas dienestu.

VI problēma: Ierīcē ir HH kļūda

Iespējamais cēlonis: Apkārtējās vides temperatūra ir pārsniegusi 40 °C.

Risinājums: Restartējiet ierīci un, ja problēma saglabājas, sazinieties ar klientu apkalpošanas dienestu.

VII problēma: Ierīcē ir notikusi OC kļūda.

Iespējamais cēlonis: Ir konstatēta termostata kļūda.

Risinājums: Restartējiet ierīci un, ja problēma saglabājas, sazinieties ar klientu apkalpošanas dienestu.

VIII problēma: Ierīcē ir notikusi S.C. kļūda.

Iespējamais cēlonis: termostatā tika konstatēts īssavienojums.

Risinājums: Restartējiet ierīci un, ja problēma saglabājas, sazinieties ar klientu apkalpošanas dienestu.

IX problēma: Ierīce ir ieslēgta, bet kompresors nedarbojas.

Iespējamais cēlonis 1: apkārtējās vides temperatūra ir pārāk zema.

Risinājums 1: Pārvietojiet ierīci uz siltāku vietu.

Iespējamais cēlonis Nr. 2: Atvienots kabelis.

Risinājums Nr. 2: Sazinieties ar klientu apkalpošanas dienestu.

BRĪDINĀJUMS: UGUNSBĪSTAMĪBA / UZLIESMOJOŠS MATERIĀLS



TEHNISKIE DATI

Ietilpība: 40 litri

Barošanas avots:

- Līdzstrāvas 12V / 24V - cigarešu aizdedzinātāja ligzda

- 230V ~ 50/60Hz - elektrotfīkla kontaktligzda, izmantojot ārējo barošanas bloku (nav iekļauts komplektā)

Aukstumnesējs: R600a / 40g

Klimata klase: S / SN

Izolācija: C5H10

Nominālais enerģijas patēriņš: 45W

Maksimālā nominālā strāva: 3,7 A

Vides aizsardzībai. Kartona iepakojums un polietilēna (PE) maisiņi jāizmet atbilstošos konteineros, kas paredzēti sadzīves atkritumu dalītai savākšanai atbilstoši to aprakstam. Ja ierīcē ir baterijas, tās ir jāizņem un jāiznīcina atsevišķi savākšanas un uzglabāšanas vietā. Izlietotā ierīce jānogādā piemērotā savākšanas un uzglabāšanas vietā, jo tajā esošās bīstamās vielas var apdraudēt veselību un vidi. Uz izstrādājuma esošais marķējums norāda, ka ierīci nedrīkst izmest sadzīves atkritumu konteinerā. Elektrisko iekārtu atkritumi ir atkritumi, kas satur cilvēkiem, dzīvniekiem un videi kaitīgas vielas. Šīs vielas var piesārņot augsni, ūdeni vai gaisu, un caur to tās var nokļūt cilvēka organismā un izraisīt virkni veselības problēmu, piemēram, redzes, dzirdes, runas traucējumus, var arī bojāt nieres, aknas un sirdi, kā arī izraisīt ādas slimības. Kaitīgās vielas var arī nelabvēlīgi ietekmēt elpošanas un reproduktīvo sistēmu un izraisīt vēža izmaiņas. Augu, kas aug uz skartās augsnes, un no tiem ražotu produktu lietošana uzturā var izraisīt iepriekš minēto ietekmi uz veselību. **Neizmetiet iekārtas sadzīves atkritumu tvertnē!**

Pakalpojums Ja vēlaties iegādāties rezerves daļas vai jums ir kādas sūdzības, lūdzu, sazinieties ar sazinieties tieši ar tirgotāju, kas izdevis čeku.



Kasutusjuhend (ET)

ÜLDISED OHUTUSTINGIMUSED

OLULISED OHUTUSJUHISED KASUTAMISEKS

LOE HOOLIKALT JA HOIA ALLES EDASPIDISEKS KASUTAMISEKS

1. Enne seadme kasutamist lugege kasutusjuhendit ja järgige selles sisalduvaid juhiseid. Tootja ei vastuta kahjustuste eest, mis on põhjustatud seadme mittesihipärasest kasutamisest või ebaõigest käsitlemisest.
2. Seade on mõeldud ainult mittekaubanduslikuks kasutamiseks. Ärge kasutage seadet muul otstarbel, mis ei sobi kokku selle ettenähtud kasutusega.
3. Seade tuleb vastavalt vajadusele ühendada auto "sigaretisüütaja" pistikupessa 12V või 24V või võrgupistikupessa 220-240 V ~ 50-60 Hz. (Sõltuvalt seadme tüübist valige sobiv toiteallika parameeter).

Kasutusohutuse suurendamiseks ei tohiks ühe vooluahela külge ühendada korraga mitut elektriseadet.

4. Olge eriti ettevaatlik, kui kasutate seadet laste juuresolekul. Ärge lubage lastel seadmega mängida ärge lubage lastel või kellelgi, kes ei ole seadmega tuttav, seadet kasutada.

5. HOIATUS: Seda seadet võivad kasutada üle 8-aastased lapsed ja isikud, kellel on vähenenud füüsilised, sensoorsed või vaimsed võimed või isikud, kellel puuduvad kogemused või teadmised seadme kohta, kui seda tehakse nende ohutuse eest vastutava isiku järelevalve all või kui neile on antud juhised seadme ohutu kasutamise kohta ja nad on teadlikud seadme kasutamisega seotud ohtudest. Lapsed ei tohiks seadmetega mängida. Lapsed ei tohiks seadmeid puhastada ega hooldada, välja arvatud juhul, kui nad on üle 8 aasta vanad ja seda tehakse järelevalve all.

6. Pärast kasutamist tõmmake alati pistik pistikupesast välja, hoides seda käega kinni. ÄRGE tõmmake pistikupesast.

7. ÄRGE kastke kaablit, pistikut või kogu seadet vette või mõnda muusse vedelikku. Ärge pange seadet välja ilmastikutingimustele (vihm, päike jne.) ega kasutage seda niisketes tingimustes (vannitoas, niisketes elamutes).

8. Kontrollige regulaarselt toitejuhtme seisundit. Kui toitejuhe on kahjustatud, tuleb see ohu vältimiseks välja vahetada spetsiaalse remonditöökoja poolt.

9. Ärge kasutage seadet kahjustatud toitejuhtmega või kui see on maha kukkunud või muul viisil kahjustatud või ei tööta korralikult. Ärge parandage seadet ise, sest esineb elektrilöögi oht. Viige kahjustatud seade kontrollimiseks või parandamiseks pädevasse teeninduskeskusesse. Igasugust remonti võivad teostada ainult volitatud teeninduskeskused. Ebaõige remont võib kujutada endast tõsist ohtu kasutajale.

10. Asetage seade jahedale, stabiilsele ja tasasele pinnale, mis suudab kanda seadme ja kogu selle sisu kaalu, eemal kuumadest köögiseadmetest, nagu näiteks elektripliit, gaasipliit jne.....

11. Ärge kasutage seadet tuleohtlike materjalide lähedal.

12. Toitejuhe ei tohi rippuda üle lauaserva ega puudutada kuuma pinda.

13. Täiendava kaitse tagamiseks on soovitatav paigaldada vooluahelasse jäävoolukaitseseade (RCD), mille nimivoolutugevus ei ületa 30 mA. Sellega seoses tuleks konsulteerida elektrispetsialistiga.

14. Ärge kasutage seadet, kui ühenduspesad on märjad.

15. Kui kasutate seadet autos või paadis, kontrollige, et vooluvõrku kaitsev kaitselüliti oleks töökorras.

16. Kaitske seadet soojusallikate ja päikesevalguse eest.

17. Asetage seadmesse juba jahutatud tooted.
18. Asetage seade korralikult ventileeritavasse kohta. Kaugus teistest esemetest peaks olema vähemalt 20 cm.
19. HOIATUS: Ärge blokeeri seadme korpuses olevaid ventilatsiooniasasid.
20. HOIATUS: Kaitske külmutusainet sisaldavat vooluringi kahjustuste eest.
21. HOIATUS: Ärge kasutage ega hoiustage elektriseadmeid toidutaruumis.
22. HOIATUS: Ukse pikemaajaline avamine võib põhjustada seadmeruumi temperatuuri märkimisväärset tõusu.
23. HOIATUS: Puhastage regulaarselt pindu, mis võivad toiduga kokku puutuda.
24. HOIATUS: Hoidke toorest liha ja kala selleks ettenähtud mahutites, et tooted ei puutuksid omavahel kokku ja et need ei tilguksid teistele toiduainetele.
25. HOIATUS: Kui külmutusseade jääb pikemaks ajaks tühjaks, lülitage see välja, sulatage, puhastage, kuivatage ja jätke uks lahti, et vältida hallituse tekkimist seadmesse.
26. HOIATUS: Ärge hoidke külmkapis plahvatusohtlikke materjale, näiteks tuleohtlikku aerosooli sisaldavaid purke jms.
27. HOIATUS: Seadme seadistamisel veenduge, et toitejuhe ei oleks külmiku poolt kinni pigistatud või kahjustatud.
28. HOIATUS: Ärge asetage pikendusjuhtmeid või teisaldatavaid toiteallikaid seadme lähedale või taha.
29. HOIATUS: Ärge kasutage muid mehaanilisi seadmeid või sulatamise kiirendeid kui tootja poolt soovitatud.

Enne esmakordset kasutamist: Õige asukoht

1. Enne esmakordset kasutamist eemaldage kogu pakend ja jätke seadme ümber vähemalt 15 cm vaba ruumi (5 cm küljel, 10 cm seadme tagaküljel).

2. Asetage külmkapp kuiva ja hästi ventileeritud kohta. Hoidke külmkappi eemal otsesest päikesevalgusest, kütteseadmetest ja söövitavatest gaasidest.

MÄRKUS: Kuna seadme töö põhineb kompressoril, on seadme ümber vaja piisavalt ruumi, et võimaldada nõuetekohast ventilatsiooni.

MÄRKUS: Seadet ei ole soovitatav liigutada, kui põrand ei ole sile. Ärge kasutage, kui külmik on kallutatud. Kui külmik on lohistatud kasutuskohata, asetage see püsti ja oodake enne kasutamist 10 minutit. Külmiku teisaldamisel kasutage alati mõlemat käepidet, et kanda seadet võimalikult horisontaalselt. See kaitseb kompressorit ja tihendatud süsteemi

HOIATUS: Kasutage selle seadme teisaldamiseks ja käsitsemiseks vähemalt kahte inimest. Selle hoiatuse eiramine võib põhjustada selja- või muid vigastusi.

3. Kui võimalik, hoidke teisaldatavat külmikut soojuste ja otsese päikesevalguse eest kaitstult.

4. Kaasaskantav külmik sobib kasutamiseks autos ja telkimispaigas, kuid seade ei tohi sattuda vihma või muude raskete ilmastikutingimuste kätte.

5. Kaasaskantavat külmikut ei tohiks paigutada sisseehitatud või süvistatud ruumi. Seade on mõeldud vabalt seisvaks.

6. Külmiku normaalne töö sõltub kondensaatori soojuskiirgusest.

7. Puhastage sisepinda vähese leige vee ja pehme lapiga.

Märkus: Kui ühendate alalisvoolu toitejuhtme, veenduge, et sisendiks on 12 V ~ DC / 24 V vooluallikas.

TÄHELEPANU: Ärge eemaldage teisaldatavalt autokülmkapilt ühtegi hoiatus-, hoiatus- või tootekirjeldust.

SEADME KIRJELDUS Kaasaskantav autokülmik - joonis A

1. Alus
2. Pistikupesa
3. Hoidja
4. Raam
5. Kaane
6. Juhtpaneel
7. Alalisvoolu toitekaabel - kasutamiseks reisil, ühendatakse otse auto sigaretisüütajasse

Juhtpaneel - joonis B

A - sisse/välja lülitamise nupp

B - SET-nupp

C - toiteindikaator

D - veaindikaator

E - LCD-ekraan

F - nupp "+"

G - "-" nupp

TÖÖTAMINE

- Kui proovite ühendada kaasaskantavat külmikut tavalisse 12 V pistikupessa, ei tööta seade, kui pistikupesa pinge on alla 9,6 V. Seade käivitub uuesti, kui pinge jõuab 12,2 V või rohkem.

- Kui seadet üritatakse ühendada standardse 24-voldise pistikupesa külge, ei tööta seade, kui pistikupesa pinge on alla 21,3 volti. Seade käivitub uuesti, kui pinge saavutab 25,2 V või rohkem.

- Seadet saab ühendada ka 230 V ~50/60 Hz vooluvõrku, kui kasutada välist toiteallikat (ei kuulu komplekti).

Soovitav AC/DC toiteallika mudel on CR8076.1.

KONTROLLIPANEL (7) - joonis B

Teie teisaldatav külmik kasutab termostaadi reguleerimiseks digitaalset juhtimissüsteemi.

* Toitenupp (A) - ON. / OFF.

1. Ühendage külmik vooluallikaga, vajutage üks kord toitenuppu (A), et seade sisse lülitada.
2. Vajutage uuesti toitenuppu (A), külmik lülitub välja.

* SET-nupp :

Vajutage pikalt 3 sekundit nuppu SET ja sisenege täiustatud režiimidesse:

ITREŽIIM PINGEKAITSE:

Seadmel on kolm aku kaitsefunktsiooni, mis kaitsevad külmiku normaalset tööd ja kaitsevad sõiduki akut.

Need kolm aku kaitse taset:

H3 - kõrge kaitsetase

12 V puhul: peatub 10,9 V juures ja algab 12,2 V juures.

24 V puhul: peatub 23,8 V juures ja käivitub 25,2 V juures.

H2 - keskmine kaitsetase

12 V puhul: peatub 9,7 V juures ja käivitub 11,0 V juures.

24 V puhul: peatub 21,5 V juures ja käivitub 22,9 V juures.

H1 - madal kaitsetase:

12 V puhul: peatub 9,6 V juures ja käivitub 10,9 V juures.

24 V puhul: peatub 21,3 V juures ja käivitub 22,7 V juures.

Funktsiooni valimiseks vajutage lühidalt nuppu "+" või "-". Funktsioon on seadistatud keskmisele kaitsetasemele "H2", kui külmik on valmis esimeseks kasutamiseks.

MÄRKUS:

Kui seadet kasutatakse autos, on soovitatav seadistada aku kaitsefunktsioon H2 (keskmine tase).

Kui tegemist on välise aku või varuakuga, on soovitatav seadistada aku kaitse tasemele H2 (keskmine tase) või H1 (madal tase).

Sõiduki erinevate väljundite väljundpinge erinevuse tõttu võib aku funktsiooni vähendada madalamale tasemele (H3 lülitatakse H2 või H1 peale), kui on olemas pingekaitse (LCD-ekraanil kuvatakse F1).

* Nappu "+" (F) kasutatakse temperatuuri või muude eespool kirjeldatud seadete suurendamiseks.

* Nappu "-" (G) kasutatakse temperatuuri või muude eespool kirjeldatud seadete vähendamiseks.

* Toiteindikaator (C):

- Kui külmik on sisse lülitatud, on märgutuli punane.

- Kui külmik on välja lülitatud, kustub märgutuli.

* Veaindikaator (D):

- Vea korral heliseb pidevalt helisignaal.

- Ekraanile ilmuvad veakoodid.

- Rikkeindikaator (D) süttib siniselt.

* LCD-ekraan (E): näitab

- Näitab temperatuuri ja muid seadistusi.

- Ekraanile võivad ilmuda veakoodid, nagu allpool:

F1: Pinge rike

F2: ventilaatori vooluahäire

F3: kompressori käivitamisviga

F4: kompressori minimaalse pöörlemiskiiruse viga

F5: Regulaatori temperatuuri rike

E0: katkestatud anduri vooluahel

E1: Anduri lühis

LCD-ekraan võimaldab temperatuuri seadistada vahemikus -20 °C kuni +20 °C. Tegelik saavutatud temperatuur seadme sees sõltub välistest tingimustest. Näiteks, kui välistemperatuur on +25°C, on madalaim saavutatud temperatuur seadme sees -20°C. Seadmel puudub küttefunktsioon.

MÄRKUS: Kui süsteem ei tööta korralikult, kontrollige esmalt, kas aku pinge on õige. Kui aku pinge on õige, oodake 3 minutit enne külmiku sisselülitamist. Kui pärast seadme taaskäivitamist on süsteem ikka veel häiritud, võtke abi saamiseks ühendust teenindusega.

Üldised temperatuuriseadistused säilitamiseks:

- Vein (+ 6 °C kuni +18 °C)

- Vaktsiinid, insuliin (+ 2 °C kuni - 8 °C)

- Puuviljad (4 °C kuni - 6 °C)

- Joogid (2 °C kuni - 5 °C)

- Liha (-10 °C)

- Jäätis (-15 °C)

Olge ettevaatlik, kui soovite ravimeid külmikus hoida. pakendage toit enne seadmesse panemist selleks ettenähtud mahutitesse/kottidesse.

PUHASTAMINE JA HOOLDUS

Enne puhastamist tõmmake seade alati vooluvõrgust välja.

Puhastage pehme, kuiva lapiga, kasutades mahedaid puhastusvahendeid. Ärge kasutage keemilisi lahusteid, kuna need võivad seadet jäädavalt kahjustada või deformeeruda.

VEAOTSING

Järgige alljärgnevat veaotsingu juhendit, et lahendada tavalisi probleeme.

Probleem I: Seade ei tööta üldse ja ei näita mingeid märke toiteallikatest.

Võimalik põhjus 1: Seade ei saa voolu.

Võimaliku põhjuse 1 lahendus: Veenduge, et seade on ühendatud.

Võimalik põhjus 2: Ebapiisav toide.

Võimaliku põhjuse 2 lahendus: Viige seade teise pistikupessa. Kontrollige kaitselüliti. (Voolutarbimise määramiseks vaadake seadme tagaküljel olevale nimesildile).

Võimalik põhjus 3: alalisvoolu toitekaabel

Võimaliku 4. põhjuse lahendus: testige seadet teise toiteallikaga, nt teise sõidukiga, millel on teadaolevalt toimiv alalisvoolu pistikupesa.

Võimalik põhjus 4: lahti ühendatud juhtmed.

Võimaliku põhjuse 5 lahendus: Võtke ühendust klienditeenindusega.

Probleem II: Seade teeb kummalist müra.

Võimalik põhjus 1: Seade ei ole tasandatud.

Lahendus 1: Viige seade tasasele ja tasasele pinnale.

Probleem III: Seade teeb valju, pidevat metalset koputavat heli.

Võimalik põhjus 1: Seade võib olla küljele saadetud.

Lahendus 1: Lülitage seade välja. Jätke seade vähemalt 24 tunniks tasasele pinnale ja käivitage uuesti.

Võimalik põhjus 2: Defektne kompressor

Lahendus 2: Võtke ühendust klienditeenindusega.

Probleem IV: Seade töötab mõnda aega ja seejärel käivitub toitejuhe või kaitselüliti.

Võimalik põhjus: Seade võib olla ühendatud pistikupessa, mis ei anna piisavat voolu.

Lahendus: Võtke ühendust elektrikuga, kui seade töötab teises ruumis või vooluahelas.

Probleem V: Juhtpaneeli tuled vilguvad juhuslikult.

Võimalik põhjus: Seadmel võib olla vigane juhtpaneel.

Lahendus: Käivitage seade uuesti ja kui probleem püsib, võtke ühendust klienditeenindusega.

Probleem VI: Seadmel on HH-viga

Võimalik põhjus: Ümbritseva keskkonna temperatuur ületas 40 °C.

Lahendus: Käivitage seade uuesti ja kui probleem püsib, võtke ühendust klienditeenindusega.

VII probleem: Seadmes on ilmnenud OC-viga.

Võimalik põhjus: On tuvastatud termostaadi viga.

Lahendus: Käivitage seade uuesti ja kui probleem püsib, võtke ühendust klienditeenindusega.

VIII probleem: Seadmes on ilmnenud S.C. viga.

Võimalik põhjus: Termostaadis tuvastati lühis.

Lahendus: Käivitage seade uuesti ja kui probleem püsib, võtke ühendust klienditeenindusega.

Probleem IX: Seade on vooluga, kuid kompressor ei tööta.

Võimalik põhjus 1: Ümbritseva keskkonna temperatuur on liiga madal.

Lahendus 1: Viige seade soojemasse kohta.

Võimalik põhjus 2: Ühendamata kaabel.

Lahendus 2: Võtke ühendust klienditeenindusega.

ETTEVAATUST: TULEOHTLIK / TULEOHTLIK MATERJAL



TEHNILISED ANDMED

Mahutavus: 40 liitrit

Toiteallikas:

- DC 12V / 24V - sigaretisüütaja pistikupesa

- 230V ~50/60Hz - võrgupesa pärast välise toiteallika kasutamist (ei kuulu komplekti)

Külmutusaine: R600a / 40g

Kliimakklass: S / SN

Isolatsioon: C5H10

Nimivõimsuse tarbimine: 45W

Maksimaalne nimivool: 3,7A



Keskkonna huvides. Pappakendid ja poliüetüleenist (PE) kotid tuleb vastavalt kirjeldusele visata sobivatesse konteineritesse olmejäätmete eraldi kogumiseks. Kui seadmes on patareid, tuleb need eemaldada ja eraldi kogumis- ja ladustamiskohas ära visata. Kasutatud seade tuleb viia sobivasse kogumis- ja ladustamisasutusse, kuna selles sisalduvad ohtlikud ained võivad kujutada endast ohtu tervisele ja keskkonnale. Tootel olev märgistus näitab, et seadet ei tohi kõrvaldada olmejäätmete konteinerisse. Elektrijäätmed on jäätmed, mis sisaldavad inimestele, loomadele ja keskkonnale kahjulikke aineid. Need ained võivad reostada pinnast, vett või õhku ning selle kaudu võivad nad sattuda inimkehasse ja põhjustada mitmeid terviseprobleeme, näiteks nägemis-, kuulmis- ja kõnepuudulikkust, võivad kahjustada ka neerusid, maksa ja südant ning põhjustada nahahaigusi. Kahjulikud ained võivad avaldada kahjulikku mõju ka hingamis- ja reproduktiivüsteemile ning põhjustada vähkkasvaja muutusi. Mõjutatud muldadel kasvavate taimede ja neist valmistatud toodete tarbimine võib põhjustada eespool nimetatud tervisemõjusid. **Ärge visake seadmeid olmejäätmete prügikasti!**

Teenindus Kui soovite osta varuosasid või kui teil on kaebusi, siis palun võtke ühendust võtke otse ühendust edasimüüjaga, kes väljastas kviitungi.

Használati útmutató (HU)

ÁLTALÁNOS BIZTONSÁGI FELTÉTELEK FONTOS BIZTONSÁGI UTASÍTÁSOK A HASZNÁLATHOZ FIGYELMESEN OLVASSA EL ÉS ŐRIZZE MEG A KÉSŐBBI HASZNÁLATRA

1. A készülék használata előtt olvassa el a kezelési útmutatót, és kövesse az abban foglalt utasításokat. A gyártó nem vállal felelősséget a készülék nem rendeltetésszerű használatából vagy helytelen kezeléséből eredő károkért.
2. A készülék kizárólag nem kereskedelmi célú használatra szolgál. Ne használja más, a rendeltetésszerű használatával össze nem egyeztethető célra.
3. A készüléket szükség szerint 12V vagy 24V feszültségű autós "szivargyújtó" aljzathoz vagy 220-240 V ~ 50-60 Hz-es hálózati aljzathoz kell csatlakoztatni. (A készülék típusától függően válassza ki a megfelelő áramellátási paramétert). A használat biztonságának növelése érdekében nem szabad egyszerre több elektromos készüléket egy áramkörhöz csatlakoztatni.
4. Legyen különösen óvatos a készülék használatakor, ha gyermekek vannak jelen. Ne engedje, hogy a gyermekek játszanak a készülékkel ne engedje, hogy gyermekek vagy a készüléket nem ismerő személyek használják a készüléket.
5. FIGYELMEZTETÉS: Ezt a készüléket 8 évnél idősebb gyermekek és csökkent fizikai, érzékszervi vagy szellemi képességű személyek, illetve a készülékkel kapcsolatos tapasztalattal vagy ismeretekkel nem rendelkező személyek akkor használhatják, ha ezt a biztonságukért felelős személy felügyelete mellett teszik, vagy ha a készülék biztonságos használatára vonatkozó utasításokat kaptak, és tisztában vannak a készülék használatával kapcsolatos veszélyekkel. Gyermekek nem játszhatnak a berendezéssel. A

berendezés tisztítását és karbantartását gyermekek csak akkor végezhetik, ha elmúltak 8 évesek, és a tevékenységet felügyelet mellett végzik.

6. Használat után mindig húzza ki a dugót a konnektorból úgy, hogy a kezével megfogja a konnektort. NE húzza meg a hálózati kábelt.

7. NE merítse a kábelt, a dugót vagy az egész készüléket vízbe vagy bármilyen más folyadékba. Ne tegye ki a készüléket időjárás körülményeknek (eső, nap stb.), és ne használja párás körülmények között (fürdőszoba, párás lakókocsi).

8. Rendszeresen ellenőrizze a tápkábel állapotát. Ha a tápkábel megsérült, a veszély elkerülése érdekében szakszervizben kell kicserélni.

9. Ne használja a készüléket sérült tápkábelrel, vagy ha a készüléket leejtették, vagy más módon megsérült, illetve nem működik megfelelően. Ne javítsa meg a készüléket saját maga, mert áramütés veszélye áll fenn. A sérült készüléket vigye el ellenőrzésre vagy javításra egy illetékes szervizbe. Bármilyen javítást csak az erre felhatalmazott szervizközpontok végezhetnek. A nem megfelelő javítás komoly veszélyt jelenthet a felhasználóra nézve.

10. A készüléket olyan hűvös, stabil, vízszintes felületre helyezze, amely képes elviselni a készülék és annak teljes tartalmának súlyát, távol a forró konyhai berendezésektől, mint például: elektromos tűzhely, gázégő, stb.....

11. Ne használja a készüléket gyúlékony anyagok közelében.

12. A tápkábel nem lóghat az asztal széle fölé, és nem érintkezhet forró felületekkel.

13. A további védelem érdekében ajánlatos az elektromos áramkörbe egy olyan hibásáramú készüléket (RCD) beszerezni, amelynek névleges hibaáramú értéke nem haladja meg a 30 mA-t. Ezzel kapcsolatban villanyszerelő szakemberrel kell konzultálni.

14. Ne használja a készüléket, ha a csatlakozóaljzatok nedvesek.

15. Ha a készüléket autóban vagy hajón használja, ellenőrizze, hogy az áramellátó rendszert védő biztosíték működőképes-e.

16. Védje a készüléket a hőforrásoktól és a napfénytől.

17. Helyezzen már lehűtött termékeket a készülékbe.

18. Helyezze a készüléket megfelelően szellőztetett helyre. A más tárgyaktól való távolságnak legalább 20 cm-nek kell lennie.

19. FIGYELMEZTETÉS: Ne zárja el a készülékház szellőzőnyílásait.

20. FIGYELMEZTETÉS: Védje a hűtőközeget tartalmazó áramkört a károsodástól.

21. FIGYELMEZTETÉS: Ne használjon vagy tároljon elektromos készülékeket az élelmiszer-tároló rekeszben.

22. FIGYELMEZTETÉS: Ha hosszabb időre kinyitja az ajtót, a készüléktérben

jelentősen megemelkedhet a hőmérséklet.

23. FIGYELMEZTETÉS: Rendszeresen tisztítsa meg az élelmiszerekkel érintkezésbe kerülő felületeket.

24. FIGYELMEZTETÉS: A nyers húst és halat erre a célra szolgáló tárolóedényekben tárolja, hogy a termékek ne érintkezzenek egymással, és ne csöpögjenek más élelmiszerekre.

25. FIGYELMEZTETÉS: Ha a hűtőegység hosszabb ideig üresen marad, kapcsolja ki, olvasszta le, tisztítsa ki, szárítsa meg, és hagyja nyitva az ajtót, hogy megakadályozza a penész kialakulását a készülékben.

26. FIGYELMEZTETÉS: Ne tároljon robbanásveszélyes anyagokat, például gyúlékony aeroszolt tartalmazó dobozokat stb. a hűtőszekrényben.

27. FIGYELMEZTETÉS: A készülék felállításakor ügyeljen arra, hogy a tápkábelt ne szorítsa be a hűtőszekrény, és ne sérüljön meg.

28. FIGYELMEZTETÉS: Ne helyezzen hosszabbító kábeleket vagy hordozható tápegységeket a készülék közelébe vagy mögé.

29. FIGYELMEZTETÉS: Ne használjon a gyártó által ajánlottaktól eltérő mechanikus eszközöket vagy leolvasztásgyorsítókat.

Az első használat előtt: Megfelelő elhelyezés

1. Az első használat előtt távolítsa el az összes csomagolást, és hagyjon legalább 15 cm szabad helyet a készülék körül (5 cm az oldalán, 10 cm a készülék hátulján).

2. Helyezze a hűtőszekrényt száraz és jól szellőző helyre. A hűtőszekrényt közvetlen napfénytől, fűtőtestektől és maró gázoktól távol tárolja.

MEGJEGYZÉS: Mivel a készülék működése kompresszoros, a megfelelő szellőzés érdekében elegendő hely szükséges a készülék körül.

MEGJEGYZÉS: Nem ajánlott a készüléket mozgatni, ha a padló nem sima. Ne használja, ha a hűtőszekrény ferden áll. Ha a hűtőszekrényt a használandó helyre vonszolja, állítsa függőleges helyzetbe, és várjon 10 percet a használat előtt.

A hűtőszekrény mozgatásakor mindig használja mindkét fogantyút, hogy a készüléket a lehető legegyszerűbben helyzetben vigye. Ez a kompresszor és a tömített rendszer védelmét szolgálja

FIGYELMEZTETÉS: A készülék mozgatásához és kezeléséhez legalább két személyt használjon. A figyelmeztetés figyelmen kívül hagyása hát- vagy egyéb sérülésekhez vezethet.

3. A hordozható hűtőszekrényt lehetőleg hőtől és közvetlen napfénytől távol tárolja.

4. A hordozható hűtőszekrény alkalmas az autóban és a kempingben való használatra, de a készüléket nem szabad esőnek vagy más zord időjárási körülményeknek kiténni.

5. A hordozható hűtőszekrényt nem szabad beépített vagy süllyesztett helyen elhelyezni. A készüléket úgy tervezték, hogy szabadon álló legyen.

6. A hűtőszekrény normál működése a kondenzátor hősugárzásától függ.

7. Tisztítsa meg a belső felületet kevés langyos vízzel és egy puha ruhával.

Megjegyzés: Az egyenáramú tápkábel csatlakoztatásakor ügyeljen arra, hogy a bemenet 12 V ~ DC / 24 V-os áramforrás legyen.

FONTOS: Ne távolítsa el a hordozható autós hűtőszekrényről a figyelmeztető, óvatossági vagy termékinformációs címkéket.

GÉPLEÍRÁS Hordozható hűtőszekrény - A ábra

1. Bázis 2. Dugaszóaljzat

3. Tartó 4. Keret

5. Fedél 6. Vezérlőpanel

7. Egyenáramú tápkábel - utazás közben, közvetlenül az autó szivargyújtójába csatlakoztatható

VEZÉRLŐPANEL - B ábra

A - ON/OFF bekapcsoló gomb

B - SET gomb

C - Tápfeszültségjelző

D - Hibajelző

E - LCD kijelző

F - "+" gomb

G - "-" gomb

MŰKÖDÉS

- Ha a hordozható hűtőszekrényt szabványos 12 V-os aljzathoz próbálja csatlakoztatni, a készülék nem fog működni, ha az aljzat feszültsége 9,6 V alatt van. A készülék újraindul, ha a feszültség eléri vagy meghaladja a 12,2 V-ot.

- Ha a készüléket szabványos 24 voltos aljzatba próbálja csatlakoztatni, a készülék nem fog működni, ha az aljzat feszültsége 21,3 voltnál kisebb. A készülék újraindul, ha a feszültség eléri vagy meghaladja a 25,2 V-ot.

- A készülék 230 V ~50/60 Hz-es hálózati feszültségre is csatlakoztatható, ha külső tápegységet használ (nem tartozék). Az ajánlott AC/DC tápegység modellje a CR8076.1.

VEZÉRLŐPANEL (7) - B ábra

Az Ön hordozható hűtőszekrénye digitális vezérlőrendszert használ a termosztát beállításához.

* Bekapcsológomb (A) - ON. / KI.

1. Csatlakoztassa a hűtőszekrényt egy áramforráshoz, majd a készülék bekapcsolásához nyomja meg egyszer a bekapcsológombot (A).

2. Nyomja meg újra a bekapcsológombot (A), a hűtőszekrény kikapcsol.

* SET gomb :

Nyomja meg hosszan a SET gombot 3 másodpercig, és lépjen be a speciális üzemmódokba:

FESZÜLTSGVÉDELMI ÜZEMMÓD:

A készülék három akkumulátorvédelmi funkcióval rendelkezik, amelyek védik a hűtőszekrény normál működését és védik a jármű akkumulátorát.

Ez a három szintű akkumulátorvédelem:

H3 - magas védelmi szint

12 V esetén: 10,9 V-nál megáll és 12,2 V-nál elindul.

24 V esetén: 23,8 V-nál megáll és 25,2 V-nál elindul.

H2 - közepes védelmi szint

12 V esetén: 9,7 V-nál megáll és 11,0 V-nál elindul.

24 V esetén: 21,5 V-nál megáll és 22,9 V-nál elindul.

H1 - alacsony védelmi szint:

12 V esetén: 9,6 V-nál megáll és 10,9 V-nál elindul.

24 V esetén: 21,3 V-nál megáll és 22,7 V-nál elindul.

A funkció kiválasztásához nyomja meg röviden a "+" vagy "-" gombot. A funkció a hűtőszekrény első használatba vételekor a "H2" közepes védelmi szintre van állítva.

MEGJEGYZÉS:

Ajánlott az akkumulátor védelmét H2 (közepes szint) értékre állítani, ha a készüléket autóban használják.

Ajánlott az akkumulátor védelmét H2 (közepes szint) vagy H1 (alacsony szint) értékre állítani, ha külső akkumulátorról vagy tartalék akkumulátorról van szó.

A jármű tápegységének különböző kimeneteiből származó kimeneti feszültségkülönbség miatt, ha feszültségvédelem van (az LCD kijelzőn F1 jelenik meg), az akkumulátor funkció alacsonyabb szintre csökkenthető (a H3 H2 vagy H1 szintre kapcsol).

* A "+" gomb (F) a hőmérséklet növelésére vagy a fent leírt egyéb beállításokra szolgál.

* A "-" gomb (G) a hőmérséklet vagy más, fent leírt beállítások csökkentésére szolgál.

*** Teljesítményjelző (C):**

- Amikor a hűtőszekrény be van kapcsolva, a jelzőfény pirosan világít.
- Ha a hűtőszekrényt kikapcsolja, a fény kialszik.

*** Hibajelző (D):**

- Hiba esetén a hangjelző folyamatosan cseng.
- A hibakódok megjelennek a képernyőn.
- A hibajelző (D) kék színnel világít.

*** LCD-kijelző (E): mutatja**

- Megjeleníti a hőmérsékletet és az egyéb beállításokat.
- Hibakódok jelenhetnek meg a képernyőn, az alábbiak szerint:

F1: Feszültség hiba

F2: ventilátoráram hiba

F3: Kompresszor indítási hiba

F4: Minimális kompresszor fordulatszám hiba

F5: Szabályozó hőmérséklet hiba

E0: Megszakadt érzékelő áramkör

E1: Érzékelő rövidzárlat

Az LCD kijelzőn a hőmérsékletet -20 °C és $+20\text{ °C}$ között lehet beállítani. A készülék belsejében ténylegesen elért hőmérséklet a külső körülményektől függ. Például $+25\text{ °C}$ környezeti hőmérsékleten a készülék belsejében a legalacsonyabb elért hőmérséklet -20 °C . A készülék nem rendelkezik fűtési funkcióval.

MEGJEGYZÉS: Ha a rendszer meghibásodik, először ellenőrizze, hogy az akkumulátor feszültsége megfelelő-e. Ha az akkumulátor feszültsége megfelelő, várjon 3 percet, mielőtt bekapcsolja a hűtőszekrényt. Ha a rendszer a készülék újraindítása után is hibásan működik, forduljon a szervizhez segítségért.

Általános hőmérsékleti beállítások a tároláshoz:

- ($+6\text{ °C}$ és $+18\text{ °C}$ között)
- Oltóanyagok, inzulin ($+2\text{ °C}$ -tól - 8 °C -ig)
- Gyümölcs (4 °C -tól - 6 °C -ig)
- Italok (2 °C és - 5 °C között)
- Hús (-10 °C)
- Fagylalt (-15 °C)

Legyen óvatos, ha gyógyszereket szeretne a hűtőszekrényben tárolni. csomagolja az élelmiszereket az erre a célra kialakított edényekbe/zacsókba, mielőtt beteszi a készülékbe.

TISZTÍTÁS ÉS KARBANTARTÁS

Tisztítás előtt mindig húzza ki a készüléket a konnektorból.

Tisztítsa puha, száraz ruhával, enyhe tisztítószerekkel. Ne használjon kémiai oldószereket, mivel azok maradandó károsodást vagy deformációt okozhatnak a készülékben.

HIBAELEHÁRÍTÁS

Kövesse az alábbi hibaelhárítási útmutatót a gyakori problémák megoldásához.

I. probléma: A készülék egyáltalán nem működik, és nem mutatja az áramellátás jeleit.

Lehetséges ok 1.: A készülék nem kap áramot.

Megoldás az 1. lehetséges okra: Győződjön meg róla, hogy a készülék csatlakoztatva van.

A 2. lehetséges ok: Nincs elegendő tápellátás.

Megoldás a 2. lehetséges okra: Helyezze át a készüléket egy másik konnektorba. Ellenőrizze az áramkör megszakítóját. (Az áramfelvétel meghatározásához tekintse meg a készülék hátoldalán található teljesítménytáblát).

A 3. lehetséges ok: Az egyenáramú tápkábel

Megoldás a 4. lehetséges okra: Tesztelje a készüléket egy másik áramforrással, pl. egy másik járművel, amelynek ismert, működő egyenáramú aljzata van.

A 4. lehetséges ok: Kihúzott vezetékek.

Megoldás az 5. lehetséges okra: Vegye fel a kapcsolatot az ügyfélszolgálattal.

II. probléma: A készülék furcsa hangokat ad ki.

Lehetséges ok 1: A készülék nincs vízszintben.

Megoldás 1: Helyezze a készüléket sík, vízszintes felületre.

III. probléma: A készülék hangos, folyamatos fém kopogó hangot ad.

Lehetséges ok 1: A készüléket esetleg az oldalára küldték.

Megoldás 1: Kapcsolja ki a készüléket. Hagyja a készüléket legalább 24 órán át egy vízszintes felületen, majd indítsa újra.

2. lehetséges ok: Hibás kompresszor

Megoldás 2: Vegye fel a kapcsolatot az ügyfélszolgálattal.

IV. probléma: A készülék egy ideig működik, majd kiold a tápkábel vagy a megszakító.

Lehetséges ok: A készüléket esetleg olyan konnektorba csatlakoztatták, amely nem szolgáltat megfelelő áramot.

Megoldás: Forduljon villanszerelőhöz, ha a készülék egy másik helyiségben vagy áramkörben működik.

V. probléma: A vezérlőpanel lámpái véletlenszerűen villognak.

Lehetséges ok: A készülék vezérlőpanelje hibás lehet.

Megoldás: Indítsa újra a készüléket, és ha a probléma továbbra is fennáll, forduljon az ügyfélszolgálathoz.

VI. probléma: HH hiba lépett fel a készüléken

Lehetséges ok: A környezeti hőmérséklet meghaladta a 40 °C-ot.

Megoldás: Indítsa újra a készüléket, és ha a probléma továbbra is fennáll, forduljon az ügyfélszolgálathoz.

VII. probléma: OC hiba lépett fel a készülékben.

Lehetséges ok: Termosztát hibát észleltek.

Megoldás: Indítsa újra a készüléket, és ha a probléma továbbra is fennáll, forduljon az ügyfélszolgálathoz.

VIII. probléma: A készülékben S.C. hiba lépett fel.

Lehetséges ok: Rövidzárlatot észleltek a termosztátban.

Megoldás: Indítsa újra a készüléket, és ha a probléma továbbra is fennáll, forduljon az ügyfélszolgálathoz.

IX. probléma: A készülék be van kapcsolva, de a kompresszor nem működik.

Lehetséges ok 1.: A környezeti hőmérséklet túl alacsony.

Megoldás 1: Vigye a készüléket melegebb helyre.

Lehetséges ok 2: Kihúzott kábel.

Megoldás 2: Vegye fel a kapcsolatot az ügyfélszolgálattal.

VIGYÁZAT: TŰZVESZÉLY / GYŰLÉKONY ANYAG



TECHNIKAI ADATOK

Kapacitás: 40 liter

Áramellátás:

- DC 12V / 24V - szivargyűjtő csatlakozóval

- 230V ~50/60Hz - hálózati aljzat külső tápegység használata után (nem tartozék)

Hűtőközeg: R600a / 40g

Klímaosztály: S / SN

Szigetelés: C5H10

Névleges energiafogyasztás: 45W

Maximális névleges áram: 3,7A



A környezet védelme érdekében. A kartoncsomagolást és a polietilén (PE) zsákokat a leírásuknak megfelelően a települési hulladék elkülönített gyűjtésére szolgáló megfelelő konténerekben kell elhelyezni. Ha a készülékben akkumulátorok vannak, azokat ki kell venni, és külön gyűjtő- és tárolóhelyen kell ártalmatlanítani. A használt készüléket megfelelő gyűjtő- és tárolóhelyre kell szállítani, mivel a benne lévő veszélyes anyagok veszélyt jelenthetnek az egészségre és a környezetre. A terméken található jelölés jelzi, hogy a készüléket nem szabad a kommunális hulladékgyűjtő edénybe dobni. A hulladék elektromos berendezés olyan hulladék, amely az emberekre, állatokra és a környezetre káros



anyagokat tartalmaz. Ezek az anyagok szennyezhetik a talajt, a vizet vagy a levegőt, és ezen keresztül bejuthatnak az emberi szervezetbe, és számos egészségügyi problémához vezethetnek, például látás-, hallás-, beszédzavarokhoz, károsíthatják a vesét, a májat és a szívet is, valamint bőrbetegségeket okozhatnak. A káros anyagok káros hatással lehetnek a légzőszervekre és a reprodukív rendszerre is, és rákos elváltozásokhoz vezethetnek. Az érintett talajokon termő növények és a belőlük készült termékek fogyasztása a fent említett egészségügyi hatásokat eredményezheti. **Ne dobja a berendezést a kommunális hulladékgyűjtőbe!**

Szerviz Ha pótalkatrészeket szeretne vásárolni, vagy bármilyen panasza van, kérjük, forduljon a következőkhöz forduljon közvetlenül a nyugtát kiállító kereskedőhöz.

Manual de utilizare (RO)

CONDIȚII GENERALE DE SIGURANȚĂ INSTRUCȚIUNI IMPORTANTE DE SIGURANȚĂ PENTRU UTILIZARE CITIȚI CU ATENȚIE ȘI PĂSTRAȚI PENTRU CONSULTARE ULTERIOARĂ

1. Citiți instrucțiunile de utilizare înainte de a utiliza aparatul și urmați instrucțiunile conținute în acestea. Producătorul nu este răspunzător pentru daunele cauzate de utilizarea aparatului în mod neconform cu destinația sa sau de manipularea necorespunzătoare.
2. Aparatul este destinat exclusiv utilizării necomerciale. Nu îl utilizați în niciun alt scop incompatibil cu utilizarea sa prevăzută.
3. Aparatul trebuie conectat, după caz, la o priză "brichetă" auto cu o tensiune de 12 V sau 24 V sau la o priză de rețea 220-240 V ~ 50-60 Hz. (În funcție de tipul de aparat, selectați parametrul de alimentare corespunzător). Pentru a crește siguranța utilizării, mai multe aparate electrice nu trebuie să fie conectate simultan la un singur circuit.
4. Acordați o atenție deosebită la utilizarea aparatului atunci când sunt prezenți copii. Nu permiteți copiilor să se joace cu aparatul nu permiteți copiilor sau oricărei persoane care nu este familiarizată cu aparatul să îl utilizeze.
5. AVERTISMENT: Acest aparat poate fi utilizat de copii cu vârsta de peste 8 ani și de persoane cu capacități fizice, senzoriale sau mentale reduse sau de persoane fără experiență sau cunoștințe despre aparat, dacă acest lucru se face sub supravegherea unei persoane responsabile de siguranța lor sau dacă li s-au dat instrucțiuni privind utilizarea în siguranță a aparatului și sunt conștienți de pericolele asociate cu utilizarea acestuia. Copiii nu trebuie să se joace cu echipamentul. Curățarea și întreținerea echipamentului nu trebuie efectuate de copii decât dacă aceștia au peste 8 ani și dacă activitatea este efectuată sub supraveghere.

6. Scoateți întotdeauna ștecherul din priza de curent după utilizare ținând priza cu mâna. NU trageți de cablul de alimentare.
7. NU scufundați cablul, fișa sau întregul aparat în apă sau în orice alt lichid. Nu expuneți aparatul la condițiile meteorologice (ploaie, soare etc.) și nu îl utilizați în condiții de umiditate (băi, rulote umede).
8. Verificați periodic starea cablului de alimentare. Dacă cablul de alimentare este deteriorat, acesta trebuie înlocuit de un reparator specializat pentru a evita orice pericol.
9. Nu utilizați aparatul cu un cablu de alimentare deteriorat sau dacă acesta a fost scăpat sau deteriorat în orice alt mod sau nu funcționează corect. Nu reparați singur aparatul, deoarece există riscul de electrocutare. Duceți aparatul deteriorat la un centru de service competent pentru inspecție sau reparații. Orice reparație poate fi efectuată numai de către centrele de service autorizate. Repararea necorespunzătoare poate reprezenta un risc grav pentru utilizator.
10. Așezați aparatul pe o suprafață rece, stabilă și plană, care poate susține greutatea aparatului și a întregului său conținut, departe de aparatele de bucătărie fierbinți, cum ar fi: aragaz electric, arzător cu gaz, etc....
11. Nu utilizați aparatul în apropierea materialelor inflamabile.
12. Cablul de alimentare nu trebuie să atârne peste marginea mesei sau să atingă suprafețe fierbinți.
13. Pentru protecție suplimentară, este recomandabil să instalați în circuitul electric, un dispozitiv de curent rezidual (RCD) cu un curent rezidual nominal care să nu depășească 30 mA. Un electrician specializat trebuie consultat în acest sens.
14. Nu utilizați aparatul dacă prizele de conectare sunt umede.
15. Atunci când utilizați aparatul într-o mașină sau pe o barcă, verificați dacă siguranța care protejează sistemul de alimentare este funcțională.
16. Protejați aparatul de sursele de căldură și de lumina soarelui.
17. Așezați produsele deja răcite în aparat.
18. Așezați unitatea într-o zonă ventilată corespunzător. Distanța față de alte obiecte trebuie să fie de cel puțin 20 cm.
19. AVERTISMENT: Nu blocați orificiile de ventilație din carcasa aparatului.
20. AVERTISMENT: Protejați circuitul care conține agentul frigorific împotriva deteriorării.
21. AVERTISMENT: Nu utilizați sau depozitați echipamente electrice în interiorul compartimentului de depozitare a alimentelor.
22. AVERTISMENT: Deschiderea ușii pentru o perioadă prelungită de timp, poate determina creșterea semnificativă a temperaturii în compartimentele

aparaturii.

23. AVERTISMENT: Curățați periodic suprafețele care pot intra în contact cu alimentele.

24. AVERTISMENT: Depozitați carnea și peștele crude în recipiente dedicate, astfel încât produsele să nu intre în contact între ele și să nu se scurgă pe alte alimente.

25. AVERTISMENT: Dacă unitatea frigorifică rămâne goală pentru o perioadă prelungită de timp, opriți-o, dezghețați-o, curățați-o, uscați-o și lăsați ușa deschisă pentru a preveni formarea mucegaiului în unitate.

26. AVERTISMENT: Nu depozitați în interiorul frigiderului materiale explozive, cum ar fi cutii care conțin aerosoli inflamabili etc.

27. AVERTISMENT: Când montați aparatul, asigurați-vă că cablul de alimentare nu este prins de frigider sau deteriorat.

28. AVERTISMENT: Nu amplasați cabluri prelungitoare sau surse de alimentare portabile în apropierea sau în spatele aparatului.

29. AVERTISMENT: Nu utilizați dispozitive mecanice sau acceleratoare de dezghețare, altele decât cele recomandate de producător.

Înainte de prima utilizare: Amplasarea corectă

1.Înainte de prima utilizare, îndepărtați toate ambalajele și lăsați cel puțin 15 cm spațiu liber în jurul aparatului (5 cm pe lateral, 10 cm pe spatele aparatului).

2.Așezați frigiderul într-un loc uscat și bine ventilat. Depozitați frigiderul departe de lumina directă a soarelui, de încălzitoare și de gaze corozive.

NOTĂ: Deoarece funcționarea aparatului se bazează pe compresor, este necesar un spațiu suficient în jurul aparatului pentru a permite ventilarea corespunzătoare.

NOTĂ: Nu se recomandă mutarea aparatului dacă podeaua nu este netedă. Nu utilizați dacă frigiderul este înclinat.

Dacă frigiderul este târât la locul de utilizare, puneți-l în poziție verticală și așteptați 10 minute înainte de a-l utiliza.

Atunci când mutați frigiderul, folosiți întotdeauna ambele mâner pentru a transporta unitatea cât mai orizontal posibil. Acest lucru are rolul de a proteja compresorul și sistemul etanș

AVERTISMENT: Utilizați cel puțin două persoane pentru a muta și manipula acest aparat. Nerespectarea acestui avertisment poate duce la rănirea spatelui sau a altor persoane.

3.Dacă este posibil, depozitați frigiderul portabil departe de căldură și de lumina directă a soarelui.

4.Frigiderul portabil este potrivit pentru utilizarea în mașină și în camping, dar aparatul nu trebuie expus la ploaie sau la alte condiții meteorologice dificile.

5.Frigiderul portabil nu trebuie amplasat într-o zonă încastrată sau încastrată. Aparatul este conceput pentru a fi de sine stătător.

6. Funcționarea normală a frigiderului depinde de radiația termică de la condensator.

7. Curățați suprafața internă cu puțină apă caldută și o cârpă moale.

Notă: Când conectați cablul de alimentare DC, asigurați-vă că intrarea este o sursă de alimentare de 12 V ~ DC / 24 V.

IMPORTANT: Nu îndepărtați etichetele de avertizare, precauție sau informații despre produs de pe frigiderul auto portabil.

DESCRIEREA DISPOZITIVULUI Frigider portabil - Figura A

1. Bază
2. Priză de conectare
3. Suport
4. Cadru
5. Capac
6. Panou de control

7. Cablu de alimentare DC - pentru utilizare în timpul călătoriilor, se conectează direct la bricheta mașinii

PANOUL DE CONTROL - Figura B

A - Buton de alimentare ON/OFF

B - Butonul SET

C - Indicator de alimentare

D - Indicator de eroare

E - Afișaj LCD

F - Butonul "+"

G - Butonul "-"

FUNȚIONARE

- Când încercați să conectați frigiderul portabil la o priză standard de 12 V, unitatea nu va funcționa dacă priza are o tensiune sub 9,6 V. Unitatea va reporni atunci când tensiunea ajunge la 12,2 V sau mai mult.

- Când încercați să conectați aparatul la o priză standard de 24 V, aparatul nu va funcționa dacă priza are o tensiune mai mică de 21,3 V. Aparatul va reporni atunci când tensiunea ajunge la 25,2 V sau mai mult.

- Aparatul poate fi conectat și la rețeaua electrică de 230 V ~50/60 Hz atunci când se utilizează o sursă de alimentare externă (nu este inclusă). Modelul recomandat de sursă de alimentare AC/DC este CR8076.1.

PANOUL DE CONTROL (7) - Figura B

Frigiderul dvs. portabil utilizează un sistem de control digital pentru a regla termostatul.

* Butonul de alimentare (A) - ON. / OFF.

1. Conectați frigiderul la o sursă de alimentare, apăsați butonul de alimentare (A) o dată pentru a porni unitatea.

2. Apăsați din nou butonul de alimentare (A), frigiderul se va opri.

* Butonul SET :

Apăsați lung butonul SET timp de 3 secunde și intrați în modurile avansate:

ITMODE DE PROTECȚIE A TENSIUNII:

Unitatea are trei funcții de protecție a bateriei care protejează funcționarea normală a frigiderului și protejează bateria vehiculului.

Aceste trei niveluri de protecție a bateriei:

H3 - nivel ridicat de protecție

pentru 12 V: se oprește la 10,9 V și pornește la 12,2 V.

pentru 24 V: se oprește la 23,8 V și pornește la 25,2 V.

H2 - nivel mediu de protecție

pentru 12 V: se oprește la 9,7 V și pornește la 11,0 V.

pentru 24 V: se oprește la 21,5 V și pornește la 22,9 V.

H1 - nivel scăzut de protecție:

pentru 12 V: se oprește la 9,6 V și pornește la 10,9 V.

pentru 24 V: se oprește la 21,3 V și pornește la 22,7 V.

Apăsați scurt butonul "+" sau "-" pentru a selecta funcția. Funcția este setată la nivelul mediu de protecție "H2" atunci când frigiderul este pregătit pentru prima utilizare.

NOTĂ:

Se recomandă setarea protecției bateriei la H2 (nivel mediu) atunci când unitatea este utilizată într-o mașină.

Se recomandă setarea protecției bateriei la H2 (nivel mediu) sau H1 (nivel scăzut) dacă este o baterie externă sau o baterie de rezervă.

Datorită diferenței de tensiune de ieșire de la diferitele ieșiri ale sursei de alimentare a autovehiculului, dacă există protecție la tensiune (afișajul LCD afișează F1), funcția bateriei poate fi redusă la un nivel inferior (H3 este comutat la H2 sau H1).

* Butonul "+" (F) este utilizat pentru a crește temperatura sau alte setări descrise mai sus.

* Butonul "-" (G) este utilizat pentru a reduce temperatura sau alte setări descrise mai sus.

* Indicator de alimentare (C):

- Când frigiderul este pornit, indicatorul luminos este roșu.
- Când frigiderul este oprit, indicatorul luminos se stinge.

* Indicator de eroare (D):

- În cazul unei defecțiuni, buzzerul va suna continuu.
- Codurile de defecțiune vor apărea pe ecran.
- Indicatorul de defecțiune (D) se va aprinde în albastru.

* Afișajul LCD (E): afișează

- Afișează temperatura și alte setări.
- Pe ecran pot apărea coduri de defecțiuni, ca mai jos:

F1: Cădere de tensiune

F2: Defecțiune curent ventilator

F3: Defecțiune pornire compresor

F4: Defecțiune la turația minimă a compresorului

F5: Defecțiune temperatură controler

E0: Circuitul senzorului întrerupt

E1: Scurtcircuit senzor

Afișajul LCD permite setarea temperaturii de la -20 °C la +20 °C. Temperatura reală realizată în interiorul unității depinde de condițiile externe. De exemplu, la o temperatură ambientală de +25 °C, cea mai scăzută temperatură atinsă în interiorul unității este de -20 °C. Unitatea nu are o funcție de încălzire.

NOTĂ: Dacă sistemul funcționează defectuos, verificați mai întâi dacă tensiunea bateriei este corectă. Dacă tensiunea bateriei este corectă, așteptați 3 minute înainte de a porni frigiderul. Dacă sistemul continuă să funcționeze defectuos după repornirea aparatului, contactați service-ul pentru asistență.

Setări comune de temperatură pentru depozitare:

- Vin (+ 6 °C până la +18 °C)
- Vaccinuri, insulină (de la + 2 °C la - 8 °C)
- Fructe (de la 4 °C la - 6 °C)
- Băuturi (de la 2 °C la - 5 °C)
- Carne (-10 °C)
- Înghețată (-15 °C)

Aveți grijă dacă doriți să depozitați medicamente în frigider. Împachetați alimentele în recipiente / pungi concepute în acest scop înainte de a le pune în unitate.

CURĂȚARE ȘI ÎNTREȚINERE

Scoateți întotdeauna aparatul din priză înainte de curățare.

Curățați cu o cârpă moale, uscată, folosind detergenți blânzi. Nu utilizați solvenți chimici, deoarece aceștia pot provoca deteriorarea sau deformarea permanentă a aparatului.

DEPANARE

Urmați ghidul de depanare de mai jos pentru a rezolva problemele frecvente.

Problema I: Unitatea nu funcționează deloc și nu prezintă niciun semn de alimentare.

Cauza posibilă 1: Dispozitivul nu este alimentat.

Soluția la cauza posibilă 1: Asigurați-vă că dispozitivul este conectat.

Cauza posibilă 2: Alimentarea insuficientă.

Soluția pentru cauza posibilă 2: Mutați aparatul într-o altă priză. Verificați întrerupătorul de circuit. (Consultați placa de caracteristici de pe spatele aparatului pentru a determina consumul de curent).

Cauza posibilă 3: Cablul de alimentare cu curent continuu

Soluția pentru cauza posibilă 4: Testați aparatul cu o altă sursă de alimentare, de exemplu, un alt vehicul cu o priză de curent continuu cunoscută ca fiind funcțională.

Cauza posibilă 4: Cabluri deconectate.

Soluția pentru cauza posibilă 5: Contactați serviciul clienți.

Problema II: Dispozitivul scoate zgomote ciudate.

Cauza posibilă 1: Dispozitivul nu este nivelat.

Soluția 1: Mutați dispozitivul pe o suprafață plană, nivelată.

Problema III: Aparatul scoate un sunet puternic, continuu de bătăi metalice.

Cauza posibilă 1: Este posibil ca unitatea să fi fost trimisă pe o parte.

Soluția 1: Opriți unitatea. Lăsați unitatea pe o suprafață plană timp de cel puțin 24 de ore și reporniți-o.

Cauza posibilă 2: Compresor defect

Soluția 2: Contactați serviciul clienți.

Problema IV: Unitatea funcționează o perioadă și apoi declanșează cablul de alimentare sau întrerupătorul.

Cauza posibilă: Este posibil ca aparatul să fie conectat la o priză care nu furnizează suficientă energie.

Soluție: Contactați un electrician dacă aparatul funcționează în altă încăpere sau circuit.

Problema V: Luminile panoului de control clipească aleatoriu.

Cauza posibilă: Aparatul poate avea un panou de comandă defect.

Soluție: Reporniți aparatul și, dacă problema persistă, contactați serviciul clienți.

Problema VI: Aparatul are o eroare HH

Cauză posibilă: Temperatura ambientală a depășit 40 °C.

Soluție: Reporniți dispozitivul și, dacă problema persistă, contactați serviciul clienți.

Problema VII: A apărut o eroare OC în unitate.

Cauza posibilă: A fost detectată o eroare de termostat.

Soluție: Reporniți unitatea și, dacă problema persistă, contactați serviciul clienți.

Problema VIII: A apărut o eroare de S.C. în aparat.

Cauza posibilă: A fost detectat un scurtcircuit în termostat.

Soluție: Reporniți aparatul și, dacă problema persistă, contactați serviciul clienți.

Problema IX: Aparatul este alimentat, dar compresorul nu funcționează.

Cauza posibilă 1: Temperatura ambientală este prea scăzută.

Soluția 1: Mutați unitatea într-o locație mai caldă.

Cauza posibilă 2: Cablu deconectat.

Soluția 2: Contactați serviciul clienți.

ATENȚIE: PERICOL DE INCENDIU / MATERIAL INFLAMABIL



DATE TEHNICE

Capacitate: 40 litri

Sursă de alimentare:

- DC 12V / 24V - priză brichetă

- 230V ~50/60Hz - priză de rețea după utilizarea unei unități de alimentare externă (nu este inclusă)

Agent frigorific: R600a / 40g

Clasa climatică: S / SN

Izolație: C5H10

Consumul nominal de energie: 45W

Curent nominal maxim: 3,7A



Pentru binele mediului. Ambalajele de carton și pungile de polietilenă (PE) trebuie eliminate în containerele corespunzătoare pentru colectarea separată a deșeurilor municipale, în conformitate cu descrierea acestora. Dacă aparatul conține baterii, acestea trebuie îndepărtate și eliminate separat la un centru de colectare și depozitare. Aparatul uzat trebuie dus la un centru adecvat de colectare și depozitare, deoarece substanțele periculoase pe care le conține pot reprezenta un risc pentru sănătate și mediu. Marcajul de pe produs indică faptul că aparatul nu trebuie eliminat în containerul de deșuri municipale. Deșeurile de echipamente electrice sunt deșuri care conțin substanțe periculoase pentru oameni, animale și mediu. Aceste substanțe pot contamina solul, apa sau aerul, iar prin aceasta pot pătrunde în corpul uman și pot duce la o serie de probleme de sănătate, cum ar fi afectarea vederii, auzului, vorbirii, de asemenea, pot afecta rinichii, ficatul și inima și pot provoca boli de piele. Substanțele nocive pot avea, de asemenea,

efecte negative asupra sistemelor respirator și reproducător și pot duce la modificări canceroase. Consumul de plante care cresc pe solurile afectate și de produse fabricate din acestea poate duce la efectele asupra sănătății menționate mai sus. **Nu aruncați echipamentul în coșul de gunoi municipal!** Service Dacă doriți să achiziționați piese de schimb sau aveți reclamații, vă rugăm să contactați direct distribuitorul care a emis chitanța.

Návod k použití (CS)

OBECNÉ BEZPEČNOSTNÍ PODMÍNKY DŮLEŽITÉ BEZPEČNOSTNÍ POKYNY PRO POUŽITÍ PEČLIVĚ SI PŘEČTĚTE A USCHOVEJTE PRO BUDOUCÍ POUŽITÍ

1. Před použitím spotřebiče si přečtěte návod k obsluze a dodržujte pokyny v něm uvedené. Výrobce neodpovídá za škody způsobené používáním spotřebiče v rozporu s jeho určením nebo nesprávným zacházením.
2. Přístroj je určen pouze pro nekomerční použití. Nepoužívejte jej k jiným účelům, které nejsou slučitelné s jeho určením.
3. Přístroj by měl být podle potřeby připojen do zásuvky "zapalovače cigaret" v automobilu s napětím 12 nebo 24 V nebo do síťové zásuvky 220-240 V ~ 50-60 Hz. (V závislosti na typu zařízení zvolte příslušný parametr napájení). V zájmu zvýšení bezpečnosti používání by nemělo být k jednomu obvodu připojeno více elektrických spotřebičů najednou.
4. Při používání spotřebiče v přítomnosti dětí dbejte zvýšené opatrnosti. Nedovolte dětem, aby si se spotřebičem hrály nedovolte dětem nebo osobám, které nejsou se spotřebičem obeznámeny, aby jej používaly.
5. **VAROVÁNÍ:** Tento přístroj mohou používat děti starší 8 let a osoby se sníženými fyzickými, smyslovými nebo duševními schopnostmi nebo osoby bez zkušeností a znalostí přístroje, pokud tak činí pod dohledem osoby odpovědné za jejich bezpečnost nebo pokud jim byly poskytnuty pokyny k bezpečnému používání přístroje a jsou si vědomy nebezpečí spojených s jeho používáním. Děti by si se zařízením neměly hrát. Čištění a údržbu zařízení by neměly provádět děti, pokud jim není více než 8 let a činnost neprovádějí pod dohledem.
6. Po použití vždy vytáhněte zástrčku ze zásuvky tak, že ji přidržíte rukou. Netahejte za síťovou šňůru.
7. **NEPONORUJTE** kabel, zástrčku ani celý přístroj do vody nebo jiné tekutiny. Nevystavujte přístroj povětrnostním vlivům (děšť, slunce apod.) a nepoužívejte jej ve vlhkých podmínkách (koupelny, vlhké obytné automobily).
8. Pravidelně kontrolujte stav napájecího kabelu. Pokud je napájecí kabel

poškozený, měl by jej vyměnit odborný servis, aby se předešlo nebezpečí.

9. Nepoužívejte spotřebič s poškozeným napájecím kabelem nebo pokud byl upuštěn nebo jinak poškozen nebo nefunguje správně. Spotřebič neopravujte sami, hrozí nebezpečí úrazu elektrickým proudem. Poškozený spotřebič odнесите do příslušného servisního střediska ke kontrole nebo opravě. Veškeré opravy smí provádět pouze autorizované servisní středisko. Neodborná oprava může pro uživatele představovat vážné riziko.

10. Spotřebič umístěte na chladný stabilní, rovný povrch, který unese váhu spotřebiče a veškerého jeho obsahu, mimo dosah horkých kuchyňských spotřebičů, jako jsou: elektrický sporák, plynový hořák atd.....

11. Nepoužívejte spotřebič v blízkosti hořlavých materiálů.

12. Napájecí kabel nesmí viset přes okraj stolu ani se dotýkat horkých povrchů.

13. Pro dodatečnou ochranu se doporučuje instalovat do elektrického obvodu proudový chránič (RCD) se jmenovitým reziduálním proudem nepřesahujícím 30 mA. V tomto ohledu je třeba se poradit s odborným elektrikářem.

14. Spotřebič nepoužívejte, pokud jsou připojovací zásuvky mokré.

15. Při používání spotřebiče v automobilu nebo na lodi zkontrolujte, zda je pojistka chránič napájecí systém funkční.

16. Chraňte přístroj před zdroji tepla a slunečním zářením.

17. Do jednotky vkládejte již vychlazené výrobky.

18. Umístěte jednotku na řádně větraném místě. Vzdálenost od ostatních předmětů by měla být alespoň 20 cm.

19. VAROVÁNÍ: Neblokujte větrací otvory v krytu spotřebiče.

20. VAROVÁNÍ: Chraňte okruh obsahující chladivo před poškozením.

21. VAROVÁNÍ: Nepoužívejte ani neskladujte elektrické zařízení uvnitř prostoru pro skladování potravin.

22. VAROVÁNÍ: Otevření dveří na delší dobu může způsobit výrazné zvýšení teploty v oddílech spotřebiče.

23. VAROVÁNÍ: Pravidelně čistěte povrchy, které mohou přijít do styku s potravinami.

24. VAROVÁNÍ: Syrové maso a ryby skladujte ve vyhrazených nádobách tak, aby se výrobky vzájemně nedotýkaly a aby nekapaly na jiné potraviny.

25. VAROVÁNÍ: Pokud chladicí jednotka zůstane delší dobu prázdná, vypněte ji, odmrazte, vyčistěte, vysušte a nechte dveře otevřené, aby se v ní netvořily plísně.

26. VAROVÁNÍ: Uvnitř chladničky neskladujte výbušné materiály, jako jsou plechovky obsahující hořlavý aerosol apod.

27. VAROVÁNÍ: Při nastavování spotřebiče dbejte na to, aby napájecí kabel

nebyl přiskřípnutý chladničkou nebo poškozený.

28. VAROVÁNÍ: Do blízkosti spotřebiče nebo za něj neumístejte prodlužovací kabely nebo přenosné zdroje napájení.

29. VAROVÁNÍ: Nepoužívejte jiná mechanická zařízení nebo urychlovače odmrazování než ty, které doporučuje výrobce.

Před prvním použitím: Správné umístění

1. Před prvním použitím odstraňte všechny obaly a ponechte kolem spotřebiče alespoň 15 cm volného prostoru (5 cm na boku, 10 cm na zadní straně spotřebiče).

2. Chladničku umístěte na suché a dobře větrané místo. Chladničku skladujte mimo dosah přímého slunečního záření, topných těles a korozivních plynů.

POZNÁMKA: Vzhledem k tomu, že provoz spotřebiče je založen na kompresoru, je kolem spotřebiče zapotřebí dostatečný prostor, který umožní řádné odvětrávání.

POZNÁMKA: Nedoporučuje se přístroj přemísťovat, pokud není hladká podlaha. Chladničku nepoužívejte, pokud je nakloněná. Pokud je chladnička přetažena na místo, které má být použito, postavte ji do svislé polohy a před použitím počkejte 10 minut. Při přenášení chladničky vždy používejte obě madla, abyste přístroj přenášeli pokud možno ve vodorovné poloze. Je to z důvodu ochrany kompresoru a utěsněného systému

VAROVÁNÍ: K přemísťování a manipulaci s tímto spotřebičem používejte nejméně dvě osoby. Nedodržení tohoto upozornění může mít za následek poranění zad nebo jiné zranění.

3. Přenosnou chladničku skladujte pokud možno mimo dosah tepla a přímého slunečního záření.

4. Přenosná chladnička je vhodná pro použití v autě a v kempu, ale přístroj by neměl být vystaven dešti nebo jiným nepříznivým povětrnostním podmínkám.

5. Přenosná chladnička by neměla být umístěna ve vestavěném nebo zapuštěném prostoru. Spotřebič je určen k volnému postavení.

6. Normální provoz chladničky závisí na vyzařování tepla z kondenzátoru.

7. Vnitřní povrch čistěte trochou vlažné vody a měkkým hadříkem.

Poznámka: Při připojování stejnosměrného napájecího kabelu se ujistěte, že vstupem je zdroj 12 V ~ DC / 24 V.

DŮLEŽITÉ: Z přenosné autochladničky neodstraňujte žádné výstražné, varovné nebo informační štítky o výrobku.

POPIS ZAŘÍZENÍ Přenosná chladnička - obrázek A

1. Základna 2. Zásuvka

3. Držák 4. Rám

5. Kryt 6. Ovládací panel

7. Napájecí kabel DC - pro použití na cestách, zapojte přímo do zapalovače cigaret v autě

OVLÁDACÍ PANEĽ - obrázek B

A - Tlačítko zapnutí/vypnutí

B - tlačítko SET

C - indikátor napájení

D - Indikátor chyby

E - LCD displej

F - tlačítko "+"

G - tlačítko "-"

OPERACE

- Při pokusu o připojení přenosné chladničky ke standardní zásuvce 12 V nebude přístroj fungovat, pokud je v zásuvce napětí nižší než 9,6 V. Jednotka se znovu spustí, když napětí dosáhne 12,2 V nebo více.

- Při pokusu o připojení spotřebiče do standardní zásuvky 24 V nebude spotřebič fungovat, pokud má zásuvka napětí nižší než 21,3 V. Přístroj se znovu spustí, když napětí dosáhne 25,2 V nebo více.

- Přístroj lze také připojit k elektrické síti 230 V ~ 50/60 Hz při použití externího napájecího zdroje (není součástí dodávky). Doporučený model napájecího zdroje AC/DC je CR8076.1.

OVLÁDACÍ PANEL (7) - Obrázek B

Vaše přenosná chladnička používá k nastavení termostatu digitální řídicí systém.

* Tlačítko napájení (A) - ON. / OFF.

1. Připojte chladničku ke zdroji napájení, jednou stiskněte tlačítko napájení (A), aby se přístroj zapnul.
2. Opětovným stisknutím tlačítka napájení (A) se chladnička vypne.

* Tlačítko SET :

Dlouze stisknete tlačítko SET na 3 sekundy a vstupte do pokročilých režimů:

REŽIM NAPĚŤOVÉ OCHRANY:

Přístroj má tři funkce ochrany baterie, které chrání normální provoz chladničky a chrání baterii vozidla.

Tyto tři úrovně ochrany baterie:

H3 - vysoká úroveň ochrany

pro 12 V: zastaví se při 10,9 V a začne při 12,2 V.

pro 24 V: zastaví se při 23,8 V a spustí se při 25,2 V.

H2 - střední úroveň ochrany

pro 12 V: zastaví se při 9,7 V a spustí se při 11,0 V.

pro 24 V: zastaví se při 21,5 V a začne při 22,9 V.

H1 - nízká úroveň ochrany:

pro 12 V: zastaví se při 9,6 V a spustí se při 10,9 V.

pro 24 V: zastaví se při 21,3 V a začne při 22,7 V.

Krátkým stisknutím tlačítka "+" nebo "-" zvolte funkci. Když je chladnička připravena k prvnímu použití, je funkce nastavena na střední stupeň ochrany "H2".

POZNÁMKA: V PŘÍPADĚ, ŽE JE V CHLADNIČCE NASTAVEN REŽIM CHLAZENÍ, JE NUTNÉ, ABY SE V NÍ NACHÁZELY VŠECHNY POTŘEBNÉ POTRAVINY:

Při použití přístroje v automobilu se doporučuje nastavit ochranu baterie na úroveň H2 (střední úroveň).

Pokud se jedná o externí baterii nebo záložní baterii, doporučuje se nastavit ochranu baterie na H2 (střední úroveň) nebo H1 (nízká úroveň).

Vzhledem k rozdílu výstupního napětí z různých výstupů zdroje napájení vozidla může být v případě napětové ochrany (na displeji LCD se zobrazí F1) funkce baterie snížena na nižší (H3 se přepne na H2 nebo H1).

* Tlačítko "+" (F) slouží ke zvýšení teploty nebo k jiným výše popsaným nastavením.

* Tlačítko "-" (G) slouží ke snížení teploty nebo jiných výše popsaných nastavení.

* Indikátor napájení (C):

- Když je chladnička zapnutá, kontrolka svítí červeně.
- Když je chladnička vypnutá, kontrolka zhasne.

* Indikátor chyby (D):

- V případě poruchy bude bzučák nepřetržitě zvonit.
- Na displeji se zobrazí chybové kódy.
- Indikátor poruchy (D) se rozsvítí modře.

* LCD displej (E): zobrazuje

- Zobrazuje teplotu a další nastavení.
- Na displeji se mohou zobrazit kódy závad, jak je uvedeno níže:

F1: Porucha napětí

F2: Porucha proudu ventilátoru

F3: Porucha spuštění kompresoru

F4: Porucha minimálních otáček kompresoru

F5: Porucha teploty regulátoru

E0: Přerušený obvod čidla

E1: Zkrat čidla

Displej LCD umožňuje nastavit teplotu v rozsahu -20 °C až +20 °C. Skutečně dosažená teplota uvnitř jednotky závisí na vnějších podmínkách. Například při okolní teplotě +25 °C je nejnižší dosažená teplota uvnitř jednotky -20 °C.

Jednotka nemá funkci vytápění.

POZNÁMKA: Pokud dojde k poruše systému, nejprve zkontrolujte, zda je napětí baterie správné. Pokud je napětí baterie správné, počkejte 3 minuty, než zapnete chladničku. Pokud systém po opětovném spuštění spotřebiče stále nefunguje správně, obraťte se na servisní službu.

Běžné nastavení teploty pro skladování:

- Víno (+6 °C až +18 °C)
- Vakcíny, inzulin (od + 2 °C do - 8 °C)
- Ovoce (od 4 °C do - 6 °C)
- Nápoje (2 °C až - 5 °C)
- Maso (-10 °C)
- Zmrzlina (-15 °C)

Pokud chcete v chladničce uchovávat léky, buďte opatrní. Před vložením do chladničky zabalte potraviny do nádob / sáčků určených k tomuto účelu.

ČIŠTĚNÍ A ÚDRŽBA

Před čištěním spotřebič vždy odpojte ze sítě.

Čistěte měkkým, suchým hadříkem s použitím jemných čistících prostředků. Nepoužívejte chemická rozpouštědla, protože mohou způsobit trvalé poškození nebo deformaci přístroje.

ŘEŠENÍ PROBLÉMŮ

Při řešení běžných problémů postupujte podle níže uvedeného průvodce řešením problémů.

Problém I: Jednotka vůbec nefunguje a nevykazuje žádné známky napájení.

Možná příčina 1: Zařízení není napájeno.

Řešení možné příčiny 1: Zkontrolujte, zda je zařízení připojeno.

Možná příčina 2: Nedostatečné napájení.

Řešení možné příčiny 2: Přesuňte spotřebič do jiné zásuvky. Zkontrolujte jistič. (Spotřebu proudu zjistíte na typovém štítku na zadní straně spotřebiče).

Možná příčina 3: Napájecí kabel stejnosměrného proudu

Řešení možné příčiny 4: Vyzkoušejte přístroj s jiným zdrojem napájení, např. s jiným vozidlem se známou funkční zásuvkou stejnosměrného proudu.

Možná příčina 4: Odpojené vodiče.

Řešení možné příčiny 5: Kontaktujte zákaznický servis.

Problém II: Zařízení vydává podivné zvuky.

Možná příčina 1: Zařízení není v rovině.

Řešení 1: Přesuňte zařízení na rovný, rovný povrch.

Problém III: Zařízení vydává hlasitý, nepřetržitý kovový zvuk klepání.

Možná příčina 1: Přístroj mohl být poslán na bok.

Řešení 1: Vypněte jednotku. Ponechte jednotku na rovném povrchu po dobu alespoň 24 hodin a znovu ji spusťte.

Možná příčina 2: Vadný kompresor

Řešení 2: Kontaktujte zákaznický servis.

Problém IV: Jednotka chvíli běží a pak spustí napájecí kabel nebo jistič.

Možná příčina: Spotřebič může být zapojen do zásuvky, která nedodává dostatečné napájení.

Řešení: Pokud spotřebič pracuje v jiné místnosti nebo obvodu, obraťte se na elektrikáře.

Problém V: Kontrolky ovládacího panelu náhodně blikají.

Možná příčina: Spotřebič může mít vadný ovládací panel.

Řešení: Restartujte přístroj a pokud problém přetrvává, kontaktujte zákaznický servis.

Problém VI: Zařízení má chybu HH

Možná příčina: Okolní teplota překročila 40 °C.

Řešení: Restartujte zařízení a pokud problém přetrvává, kontaktujte zákaznický servis.

Problém VII: V zařízení došlo k chybě OC.

Možná příčina: Byla zjištěna chyba termostatu.

Řešení: Restartujte jednotku a pokud problém přetrvává, kontaktujte zákaznický servis.

Problém VIII: V přístroji se vyskytla chyba S.C..

Možná příčina: V termostatu byl zjištěn zkrat.

Řešení: Restartujte spotřebič a pokud problém přetrvává, kontaktujte zákaznický servis.

Problém IX: Přístroj je napájen, ale kompresor nefunguje.

Možná příčina 1: Okolní teplota je příliš nízká.

Řešení 1: Přesuňte jednotku na teplejší místo.

Možná příčina 2: Odpojený kabel.

Řešení 2: Kontaktujte zákaznický servis.

УПОЗОРНЕНІ: НЕБЕЗПЕЧІ ПОЖАРУ / HOŘLAVÝ MATERIÁL



TECHNICKÉ ÚDAJE

Objem: 40 litrů

Napájení:

- DC 12V / 24V - zásuvka zapalovače cigaret

- 230V ~50/60Hz - síťová zásuvka po použití externího napájecího zdroje (není součástí dodávky)

Chladivo: R600a / 40g

Klimatická třída: S / SN

Izolace: C5H10

Jmenovitá spotřeba energie: 45W

Maximální jmenovitý proud: 3,7 A

V zájmu ochrany životního prostředí. Kartonové obaly a polyethylenové (PE) sáčky je třeba vyhazovat do příslušných kontejnerů pro oddělený sběr komunálního odpadu podle jejich popisu. Pokud jsou ve spotřebiči baterie, je třeba je vyjmout a odděleně zlikvidovat ve sběrně a skladu. Použitý spotřebič musí být odvezen do vhodného sběrného a skladovacího zařízení, protože nebezpečné látky, které obsahuje, mohou představovat riziko pro zdraví a životní prostředí. Označení na výrobku uvádí, že spotřebič nesmí být vyhozen do kontejneru na komunální odpad. Elektroodpad je odpad, který obsahuje látky škodlivé pro člověka, zvířata a životní prostředí. Tyto látky mohou kontaminovat půdu, vodu nebo vzduch a jejich prostřednictvím se mohou dostat do lidského organismu a vést k řadě zdravotních problémů, jako jsou poruchy zraku, sluchu, řeči, mohou také poškodit ledviny, játra a srdce a způsobit kožní onemocnění. Škodlivé látky mohou mít také nepříznivé účinky na dýchací a reprodukční systém a vést k rakovinným změnám. Konzumace rostlin rostoucích na postižených půdách a produktů z nich vyrobených může mít za následek výše uvedené zdravotní účinky. **Zařízení nevyhazujte do popelnice na komunální odpad!** **Servis** Pokud si přejete zakoupit náhradní díly nebo máte jakékoli stížnosti, obraťte se na obaťte se přímo na prodejce, který vydal doklad o koupi.



Руководство пользователя (RU)

ОБЩИЕ УСЛОВИЯ БЕЗОПАСНОСТИ
ВАЖНЫЕ УКАЗАНИЯ ПО БЕЗОПАСНОСТИ ИСПОЛЬЗОВАНИЯ
ВНИМАТЕЛЬНО ПРОЧИТАЙТЕ И СОХРАНИТЕ ДЛЯ
ДАЛЬНЕЙШЕГО ИСПОЛЬЗОВАНИЯ

1. Перед использованием прибора прочтите инструкцию по эксплуатации и следуйте содержащимся в ней указаниям. Производитель не несет

ответственности за ущерб, вызванный использованием прибора не по назначению или неправильным обращением с ним.

2. Прибор предназначен только для некоммерческого использования. Не используйте его для других целей, несовместимых с его назначением.

3. Прибор следует подключать по мере необходимости к гнезду "прикуривателя" в автомобиле с напряжением 12 или 24 В, либо к сетевой розетке 220-240 В ~ 50-60 Гц. (В зависимости от типа устройства выберите соответствующий параметр питания).

Для повышения безопасности использования не следует одновременно подключать к одной цепи несколько электроприборов.

4. Соблюдайте особую осторожность при использовании прибора в присутствии детей. Не позволяйте детям играть с прибором, не позволяйте детям или лицам, не знакомым с прибором, пользоваться им.

5. ПРЕДУПРЕЖДЕНИЕ: Данное оборудование может использоваться детьми старше 8 лет и лицами с ограниченными физическими, сенсорными или умственными способностями, а также лицами, не имеющими опыта или знаний об этом оборудовании, если это делается под наблюдением лица, ответственного за их безопасность, или если они получили инструкции по безопасному использованию оборудования и знают об опасностях, связанных с его использованием. Дети не должны играть с оборудованием. Чистка и обслуживание оборудования не должны выполняться детьми, если только они не старше 8 лет и не выполняются под присмотром.

6. После использования всегда вынимайте вилку из розетки, придерживая ее рукой. НЕ тяните за сетевой шнур.

7. НЕ погружайте шнур, вилку или весь прибор в воду или любую другую жидкость. Не подвергайте прибор воздействию погодных условий (дождь, солнце и т.д.) и не используйте его в условиях повышенной влажности (ванные комнаты, влажные дома на колесах).

8. Периодически проверяйте состояние шнура питания. Если шнур питания поврежден, во избежание опасности его следует заменить у специалиста по ремонту.

9. Не используйте прибор с поврежденным шнуром питания, а также если его уронили, повредили каким-либо другим способом или он не работает должным образом. Не ремонтируйте прибор самостоятельно, так как существует опасность поражения электрическим током. Отнесите поврежденный прибор в компетентный сервисный центр для проверки или ремонта. Любой ремонт может выполняться только в

авторизованных сервисных центрах. Неправильный ремонт может представлять серьезную опасность для пользователя.

10. Поместите прибор на прохладную ровную поверхность, способную выдержать вес прибора и всего его содержимого, вдали от горячих кухонных приборов, таких как: электрическая плита, газовая горелка и т.д.....

11. Не используйте прибор вблизи легковоспламеняющихся материалов.

12. Шнур питания не должен свисать через край стола или касаться горячих поверхностей.

13. Для дополнительной защиты рекомендуется установить в электрическую цепь устройство остаточного тока (УЗО) с номинальным остаточным током не более 30 мА. По этому вопросу следует проконсультироваться со специалистом-электриком.

14. Не используйте прибор, если гнезда для подключения влажные.

15. При использовании прибора в автомобиле или на судне убедитесь, что предохранитель, защищающий систему электропитания, исправен.

16. Защищайте прибор от источников тепла и солнечного света.

17. Помещайте в прибор уже охлажденные продукты.

18. Установите прибор в хорошо проветриваемом месте. Расстояние от других предметов должно составлять не менее 20 см.

19. ПРЕДУПРЕЖДЕНИЕ: Не закрывайте вентиляционные отверстия в корпусе прибора.

20. ПРЕДУПРЕЖДЕНИЕ: Защитите контур, содержащий хладагент, от повреждений.

21. ПРЕДУПРЕЖДЕНИЕ: Не используйте и не храните электрооборудование внутри отсека для хранения продуктов.

22. ПРЕДУПРЕЖДЕНИЕ: Открывание дверцы на длительное время может привести к значительному повышению температуры в отсеках прибора.

23. ПРЕДУПРЕЖДЕНИЕ: Регулярно очищайте поверхности, которые могут соприкасаться с пищей.

24. ПРЕДУПРЕЖДЕНИЕ: Храните сырое мясо и рыбу в специальных контейнерах, чтобы продукты не соприкасались друг с другом и не попадали на другие продукты.

25. ПРЕДУПРЕЖДЕНИЕ: Если холодильный агрегат остается пустым в течение длительного времени, выключите его, разморозьте, очистите, высушите и оставьте дверцу открытой, чтобы предотвратить образование плесени в агрегате.

26. ПРЕДУПРЕЖДЕНИЕ: Не храните в холодильнике взрывоопасные материалы, например, баллоны с легковоспламеняющимся аэрозолем и т.п.

27. ПРЕДУПРЕЖДЕНИЕ: При установке прибора убедитесь, что шнур питания не зажат холодильником и не поврежден.

28. ПРЕДУПРЕЖДЕНИЕ: Не размещайте удлинители или переносные источники питания рядом с прибором или за ним.

29. ПРЕДУПРЕЖДЕНИЕ: Не используйте механические устройства или ускорители размораживания, кроме рекомендованных производителем.

Перед первым использованием: Правильное расположение

1. Перед первым использованием снимите всю упаковку и оставьте не менее 15 см свободного пространства вокруг прибора (5 см сбоку, 10 см сзади прибора).

2. Поместите холодильник в сухое и хорошо проветриваемое место. Храните холодильник вдали от прямых солнечных лучей, нагревательных приборов и агрессивных газов.

ПРИМЕЧАНИЕ: Поскольку работа прибора основана на работе компрессора, вокруг него должно быть достаточно места для обеспечения надлежащей вентиляции.

ПРИМЕЧАНИЕ: Не рекомендуется перемещать прибор, если пол не ровный. Не используйте холодильник, если он накренился. Если холодильник перетащили к месту использования, поставьте его вертикально и подождите 10 минут перед использованием. При перемещении холодильника всегда используйте обе ручки, чтобы нести прибор как можно горизонтальнее. Это необходимо для защиты компрессора и герметичной системы

ПРЕДУПРЕЖДЕНИЕ: Для перемещения и работы с этим прибором используйте как минимум двух человек. Несоблюдение этого предупреждения может привести к травмам спины или другим повреждениям.

3. По возможности храните портативный холодильник вдали от тепла и прямых солнечных лучей.

4. Переносной холодильник можно использовать в автомобиле и в кемпинге, но он не должен подвергаться воздействию дождя или других неблагоприятных погодных условий.

5. Переносной холодильник не следует размещать во встроенных или углубленных помещениях. Прибор спроектирован как отдельно стоящий.

6. Нормальная работа холодильника зависит от теплового излучения конденсатора.

7. Очищайте внутреннюю поверхность небольшим количеством теплой воды и мягкой тканью.

Примечание: При подключении шнура питания постоянного тока убедитесь, что на входе находится источник питания 12 В ~ DC / 24 В.

ВАЖНО: Не удаляйте с портативного автомобильного холодильника предупреждающие, предостерегающие или информационные наклейки.

ОПИСАНИЕ УСТРОЙСТВА Портативный холодильник - Рисунок А

1. База 2. Вставная розетка

3. Держатель 4. Рама

5. Крышка 6. Панель управления

7. Кабель питания постоянного тока - для использования во время путешествий, подключается непосредственно к автомобильному прикуривателю

ПАНЕЛЬ УПРАВЛЕНИЯ - Рисунок В

А - Кнопка включения/выключения питания

В - кнопка SET

С - Индикатор питания

Д - Индикатор ошибки

Е - ЖК-дисплей

F - кнопка "+"

G - кнопка "-"

ОПЕРАЦИЯ

- При попытке подключить портативный холодильник к стандартной розетке 12 В устройство не будет работать, если напряжение в розетке ниже 9,6 В. Устройство перезапустится, когда напряжение достигнет 12,2 В или выше.

- При попытке подключить прибор к стандартной 24-вольтовой розетке прибор не будет работать, если напряжение в розетке составляет менее 21,3 В. Прибор перезапустится, если напряжение достигнет 25,2 В или более.

- Прибор также можно подключить к сети 230 В ~50/60 Гц при использовании внешнего блока питания (не входит в комплект). Рекомендуемая модель источника питания AC/DC - CR8076.1.

ПАНЕЛЬ УПРАВЛЕНИЯ (7) - Рисунок В

В вашем портативном холодильнике используется цифровая система управления для регулировки термостата.

* Кнопка питания (A) - ВКЛ. / ВЫКЛ.

1. Подключите холодильник к источнику питания, нажмите кнопку питания (A) один раз, чтобы включить прибор.

2. Нажмите кнопку питания (A) еще раз, холодильник выключится.

* Кнопка SET :

Длительное нажатие кнопки SET в течение 3 секунд позволяет войти в расширенные режимы:

ПРЕЖИМ ЗАЩИТЫ ПО НАПРЯЖЕНИЮ:

Устройство имеет три функции защиты аккумулятора, которые обеспечивают нормальную работу холодильника и защиту аккумулятора автомобиля.

Эти три уровня защиты аккумулятора:

H3 - высокий уровень защиты

для 12 В: останавливается при 10,9 В и запускается при 12,2 В.

для 24 В: останавливается при 23,8 В и запускается при 25,2 В.

H2 - средний уровень защиты

для 12 В: останавливается при 9,7 В и запускается при 11,0 В.

для 24 В: останавливается при 21,5 В и запускается при 22,9 В.

H1 - низкий уровень защиты:

для 12 В: останавливается при 9,6 В и запускается при 10,9 В.

для 24 В: останавливается при 21,3 В и запускается при 22,7 В.

Кратковременно нажмите кнопку "+" или "-", чтобы выбрать функцию. Функция устанавливается на средний уровень защиты "H2", когда холодильник готов к первому использованию.

ПРИМЕЧАНИЕ:

Рекомендуется установить защиту аккумулятора на H2 (средний уровень), если устройство используется в автомобиле.

Рекомендуется установить защиту аккумулятора на H2 (средний уровень) или H1 (низкий уровень), если речь идет о внешнем или резервном аккумуляторе.

Из-за разницы в выходном напряжении с разных выходов источника питания автомобиля, если есть защита по напряжению (на ЖК-дисплее отображается F1), функция батареи может быть снижена до более низкой (H3 переключается на H2 или H1).

* Кнопка '+' (F) используется для увеличения температуры или других настроек, описанных выше.

* Кнопка '-' (G) используется для уменьшения температуры или других настроек, описанных выше.

* Индикатор питания (C):

- При включении холодильника индикатор горит красным цветом.

- При выключении холодильника индикатор гаснет.

* Индикатор ошибки (D):

- В случае неисправности непрерывно звучит звуковой сигнал.

- На экране появятся коды неисправностей.
- Индикатор неисправности (D) загорится синим цветом.

* ЖК-дисплей (E): показывает

- Отображает температуру и другие настройки.
- На экране могут появляться коды неисправностей, как показано ниже:

- F1: Отсутствие напряжения
- F2: Неисправность тока вентилятора
- F3: Ошибка запуска компрессора
- F4: Ошибка минимальной скорости компрессора
- F5: Ошибка температуры контроллера
- E0: Обрыв цепи датчика
- E1: Короткое замыкание датчика

ЖК-дисплей позволяет устанавливать температуру в диапазоне от -20°C до $+20^{\circ}\text{C}$. Реальная достигнутая температура внутри устройства зависит от внешних условий. Например, при температуре окружающей среды $+25^{\circ}\text{C}$ самая низкая температура внутри устройства составляет -20°C . Устройство не имеет функции обогрева.

ПРИМЕЧАНИЕ: Если система не работает, сначала проверьте правильность напряжения батареек. Если напряжение батареек в норме, подождите 3 минуты, прежде чем включать холодильник. Если после перезапуска прибора система по-прежнему работает неправильно, обратитесь за помощью в сервисную службу.

Общие температурные настройки для хранения:

- Вино (от $+6^{\circ}\text{C}$ до $+18^{\circ}\text{C}$)
- Вакцины, инсулин (от $+2^{\circ}\text{C}$ до -8°C)
- Фрукты (от 4°C до -6°C)
- Напитки (от 2°C до -5°C)
- Мясо (-10°C)
- Мороженое (-15°C)

Будьте осторожны, если хотите хранить в холодильнике лекарства. Перед тем как поместить продукты в холодильник, упакуйте их в предназначенные для этого контейнеры/сумки.

ОЧИСТКА И ОБСЛУЖИВАНИЕ

Перед чисткой всегда отключайте прибор от сети.

Чистите прибор мягкой сухой тканью с использованием мягких моющих средств. Не используйте химические растворители, так как они могут привести к необратимому повреждению или деформации устройства.

ПОИСК И УСТРАНЕНИЕ НЕИСПРАВНОСТЕЙ

Следуйте приведенному ниже руководству по устранению неисправностей для решения распространенных проблем.

Проблема I: Устройство вообще не работает и не подает никаких признаков питания.

Возможная причина 1: На устройство не подается питание.

Решение возможной причины 1: Убедитесь, что устройство подключено.

Возможная причина 2: Недостаточное питание.

Решение возможной причины 2: Переместите прибор в другую розетку. Проверьте автоматический выключатель. (Для определения потребляемого тока обратитесь к табличке с техническими характеристиками на задней панели прибора).

Возможная причина 3: Кабель питания постоянного тока

Решение для возможной причины 4: Проверьте прибор с другим источником питания, например, с другим автомобилем с известным рабочим гнездом постоянного тока.

Возможная причина 4: Отсоединенные провода.

Решение возможной причины 5: Обратитесь в сервисную службу.

Проблема II: Устройство издает странные звуки.

Возможная причина 1: Устройство не выровнено.

Решение 1: Переместите устройство на плоскую и ровную поверхность.

Проблема III: Устройство издает громкий, непрерывный металлический стук.

Возможная причина 1: Возможно, устройство было отправлено на бок.

Решение 1: Выключите устройство. Оставьте устройство на ровной поверхности не менее чем на 24 часа и

перезапустите.

Возможная причина 2: Неисправный компрессор

Решение 2: Обратитесь в сервисную службу.

Проблема IV: Устройство работает некоторое время, а затем срабатывает шнур питания или автоматический выключатель.

Возможная причина: Возможно, прибор подключен к розетке, которая не обеспечивает достаточного питания.

Решение: Обратитесь к электрику, если прибор работает в другом помещении или в другой цепи.

Проблема V: Индикаторы панели управления мигают беспорядочно.

Возможная причина: Возможно, в приборе неисправна панель управления.

Решение: Перезапустите прибор и, если проблема не исчезнет, обратитесь в службу поддержки.

Проблема VI: В устройстве возникла ошибка НН

Возможная причина: температура окружающей среды превысила 40°C.

Решение: Перезапустите устройство и, если проблема не исчезнет, обратитесь в службу поддержки.

Проблема VII: В устройстве произошла ошибка ОС.

Возможная причина: Обнаружена ошибка термостата.

Решение: Перезапустите устройство и, если проблема не исчезнет, обратитесь в службу поддержки.

Проблема VIII: В устройстве возникла ошибка S.C.

Возможная причина: В термостате обнаружено короткое замыкание.

Решение: Перезапустите прибор и, если проблема не исчезнет, обратитесь в сервисную службу.

Проблема IX: Устройство включено, но компрессор не работает.

Возможная причина 1: Слишком низкая температура окружающей среды.

Решение 1: Переместите устройство в более теплое место.

Возможная причина 2: Отсоединен кабель.

Решение 2: Обратитесь в сервисную службу.

ВНИМАНИЕ: ОПАСНОСТЬ ВОЗГОРАНИЯ / ЛЕГКОВОСПЛАМЕНЯЮЩИЙСЯ МАТЕРИАЛ



ТЕХНИЧЕСКИЕ ДАННЫЕ

Объем: 40 литров

Электропитание:

- DC 12V / 24V - гнездо прикуривателя

- 230 В ~50/60 Гц - сетевая розетка после использования внешнего блока питания (не входит в комплект)

Хладагент: R600a / 40 г

Климатический класс: S / SN

Изоляция: C5H10

Номинальная потребляемая мощность: 45W

Максимальный номинальный ток: 3,7A



В целях охраны окружающей среды. Картонную упаковку и полиэтиленовые (ПЭ) пакеты следует выбрасывать в соответствующие контейнеры для раздельного сбора бытовых отходов в соответствии с их описанием. Если в приборе имеются батареи, их необходимо извлечь и утилизировать отдельно в пункте сбора и хранения. Использованный прибор необходимо сдать в соответствующий пункт сбора и хранения, так как содержащиеся в нем опасные вещества могут представлять угрозу для здоровья и окружающей среды. Маркировка на изделии указывает на то, что прибор нельзя выбрасывать в контейнер для бытовых отходов. Отработанное электрооборудование - это отходы, содержащие вещества, вредные для человека, животных и окружающей среды. Эти вещества могут загрязнять почву, воду или воздух, через которые они могут попасть в организм человека и привести к ряду проблем со здоровьем, таких как ухудшение

зрения, слуха, речи, могут также повредить почки, печень и сердце, вызвать кожные заболевания. Вредные вещества также могут оказывать негативное влияние на дыхательную и репродуктивную системы и приводить к раковым изменениям. Употребление растений, растущих на пораженных почвах, и продуктов, изготовленных из них, может привести к вышеупомянутым последствиям для здоровья. **Не выбрасывайте оборудование в контейнер для бытовых отходов!**
Сервис Если вы хотите приобрести запасные части или у вас есть какие-либо претензии, пожалуйста обращайтесь непосредственно к продавцу, выдавшему чек.

Εγχειρίδιο χρήσης (EL)

ΓΕΝΙΚΟΙ ΟΡΟΙ ΑΣΦΑΛΕΙΑΣ ΣΗΜΑΝΤΙΚΕΣ ΟΔΗΓΙΕΣ ΑΣΦΑΛΕΙΑΣ ΓΙΑ ΤΗ ΧΡΗΣΗ ΔΙΑΒΑΣΤΕ ΠΡΟΣΕΚΤΙΚΑ ΚΑΙ ΦΥΛΑΞΤΕ ΓΙΑ ΜΕΛΛΟΝΤΙΚΗ ΑΝΑΦΟΡΑ

1. Διαβάστε τις οδηγίες λειτουργίας πριν χρησιμοποιήσετε τη συσκευή και ακολουθήστε τις οδηγίες που περιέχονται σε αυτές. Ο κατασκευαστής δεν ευθύνεται για ζημιές που προκαλούνται από χρήση της συσκευής που δεν είναι σύμφωνη με τον προορισμό της ή από ακατάλληλο χειρισμό.
2. Η συσκευή προορίζεται μόνο για μη εμπορική χρήση. Μη χρησιμοποιείτε τη συσκευή για οποιονδήποτε άλλο σκοπό ασυμβίβαστο με την προβλεπόμενη χρήση της.
3. Η συσκευή πρέπει να συνδεθεί όπως απαιτείται σε μια πρίζα "αναπτήρα" αυτοκινήτου με τάση 12V ή 24V ή σε μια πρίζα δικτύου 220-240 V ~ 50-60 Hz. (Ανάλογα με τον τύπο της συσκευής, επιλέξτε την κατάλληλη παράμετρο παροχής ρεύματος).
Για να αυξηθεί η ασφάλεια χρήσης, δεν πρέπει να συνδέονται ταυτόχρονα πολλές ηλεκτρικές συσκευές σε ένα κύκλωμα.
4. Να είστε ιδιαίτερα προσεκτικοί όταν χρησιμοποιείτε τη συσκευή όταν υπάρχουν παιδιά. Μην επιτρέπετε στα παιδιά να παίζουν με τη συσκευή μην επιτρέπετε σε παιδιά ή σε άτομα που δεν είναι εξοικειωμένα με τη συσκευή να τη χρησιμοποιούν.
5. ΠΡΟΕΙΔΟΠΟΙΗΣΗ: Αυτή η συσκευή μπορεί να χρησιμοποιηθεί από παιδιά άνω των 8 ετών και από άτομα με μειωμένες σωματικές, αισθητηριακές ή διανοητικές ικανότητες ή από άτομα χωρίς εμπειρία ή γνώση της συσκευής, εφόσον αυτό γίνεται υπό την επίβλεψη ατόμου που είναι υπεύθυνο για την ασφάλειά τους ή τους έχουν δοθεί οδηγίες για την ασφαλή χρήση της συσκευής και γνωρίζουν τους κινδύνους που συνδέονται με τη χρήση της. Τα παιδιά δεν πρέπει να παίζουν με τον εξοπλισμό. Ο καθαρισμός και η συντήρηση του εξοπλισμού δεν πρέπει να γίνεται από παιδιά, εκτός εάν είναι

άνω των 8 ετών και η δραστηριότητα πραγματοποιείται υπό επίβλεψη.

6. Αφαιρείτε πάντα το φισ από την πρίζα μετά τη χρήση κρατώντας την πρίζα με το χέρι σας. ΜΗΝ τραβάτε το καλώδιο της πρίζας.

7. ΜΗΝ βυθίζετε το καλώδιο, το φισ ή ολόκληρη τη μονάδα σε νερό ή οποιοδήποτε άλλο υγρό. Μην εκθέτετε τη συσκευή σε καιρικές συνθήκες (βροχή, ήλιος κ.λπ.) και μην τη χρησιμοποιείτε σε συνθήκες υγρασίας (μπάνια, υγρά τροχόσπιτα).

8. Ελέγχετε περιοδικά την κατάσταση του καλωδίου τροφοδοσίας. Εάν το καλώδιο τροφοδοσίας έχει υποστεί ζημιά, θα πρέπει να αντικατασταθεί από εξειδικευμένο επισκευαστή για να αποφευχθεί κίνδυνος.

9. Μην χρησιμοποιείτε τη συσκευή με κατεστραμμένο καλώδιο ρεύματος ή αν έχει πέσει ή έχει υποστεί ζημιά με οποιονδήποτε άλλο τρόπο ή δεν λειτουργεί σωστά. Μην επισκευάζετε τη συσκευή μόνοι σας, καθώς υπάρχει κίνδυνος ηλεκτροπληξίας. Μεταφέρετε τη συσκευή που έχει υποστεί βλάβη σε ένα αρμόδιο κέντρο σέρβις για έλεγχο ή επισκευή. Τυχόν επισκευές επιτρέπεται να πραγματοποιούνται μόνο από εξουσιοδοτημένα κέντρα σέρβις. Η ακατάλληλη επισκευή μπορεί να αποτελέσει σοβαρό κίνδυνο για τον χρήστη.

10. Τοποθετήστε τη συσκευή σε μια δροσερή, σταθερή, επίπεδη επιφάνεια που μπορεί να αντέξει το βάρος της συσκευής και όλου του περιεχομένου της, μακριά από καυτές συσκευές κουζίνας όπως: ηλεκτρική κουζίνα, καυστήρας αερίου, κλπ....

11. Μην χρησιμοποιείτε τη συσκευή κοντά σε εύφλεκτα υλικά.

12. Το καλώδιο τροφοδοσίας δεν πρέπει να κρέμεται πάνω από την άκρη του τραπεζιού ή να αγγίζει καυτές επιφάνειες.

13. Για πρόσθετη προστασία, συνιστάται να εγκαταστήσετε στο ηλεκτρικό κύκλωμα, μια συσκευή διαρροής ρεύματος (RCD) με ονομαστικό ρεύμα διαρροής που δεν υπερβαίνει τα 30 mA. Για το θέμα αυτό θα πρέπει να συμβουλευτείτε έναν ειδικό ηλεκτρολόγο.

14. Μην χρησιμοποιείτε τη συσκευή εάν οι υποδοχές σύνδεσης είναι υγρές.

15. Όταν χρησιμοποιείτε τη συσκευή σε αυτοκίνητο ή σε σκάφος, ελέγξτε ότι η ασφάλεια που προστατεύει το σύστημα τροφοδοσίας ρεύματος είναι λειτουργική.

16. Προστατεύετε τη συσκευή από πηγές θερμότητας και το ηλιακό φως.

17. Τοποθετήστε στη μονάδα προϊόντα που έχουν ήδη ψυχθεί.

18. Τοποθετήστε τη μονάδα σε χώρο με κατάλληλο εξαερισμό. Η απόσταση από άλλα αντικείμενα πρέπει να είναι τουλάχιστον 20 cm.

19. ΠΡΟΕΙΔΟΠΟΙΗΣΗ: Μην μπλοκάρετε τα ανοίγματα εξαερισμού στο περίβλημα της συσκευής.

20. ΠΡΟΕΙΔΟΠΟΙΗΣΗ: Προστατέψτε το κύκλωμα που περιέχει το ψυκτικό μέσο από ζημιές.
21. ΠΡΟΕΙΔΟΠΟΙΗΣΗ: Μην χρησιμοποιείτε και μην αποθηκεύετε ηλεκτρικό εξοπλισμό μέσα στο χώρο αποθήκευσης τροφίμων.
22. ΠΡΟΕΙΔΟΠΟΙΗΣΗ: Το άνοιγμα της πόρτας για παρατεταμένο χρονικό διάστημα, μπορεί να προκαλέσει σημαντική αύξηση της θερμοκρασίας στους χώρους της συσκευής.
23. ΠΡΟΕΙΔΟΠΟΙΗΣΗ: Καθαρίζετε τακτικά τις επιφάνειες που ενδέχεται να έρθουν σε επαφή με τρόφιμα.
24. ΠΡΟΕΙΔΟΠΟΙΗΣΗ: Αποθηκεύετε το ωμό κρέας και τα ωμά ψάρια σε ειδικά δοχεία, ώστε τα προϊόντα να μην έρχονται σε επαφή μεταξύ τους και να μην στάζουν πάνω σε άλλα τρόφιμα.
25. ΠΡΟΕΙΔΟΠΟΙΗΣΗ: Εάν η ψυκτική μονάδα παραμείνει άδεια για μεγάλο χρονικό διάστημα, απενεργοποιήστε την, ξεπαγώστε, καθαρίστε, στεγνώστε και αφήστε την πόρτα ανοιχτή για να αποφύγετε τη δημιουργία μούχλας στη μονάδα.
26. ΠΡΟΕΙΔΟΠΟΙΗΣΗ: Μην αποθηκεύετε εκρηκτικά υλικά, όπως δοχεία που περιέχουν εύφλεκτο αεροζόλ κ.λπ. μέσα στο ψυγείο.
27. ΠΡΟΕΙΔΟΠΟΙΗΣΗ: Κατά την εγκατάσταση της συσκευής, βεβαιωθείτε ότι το καλώδιο ρεύματος δεν έχει τσιμπηθεί από το ψυγείο ή δεν έχει υποστεί ζημιά.
28. ΠΡΟΕΙΔΟΠΟΙΗΣΗ: Μην τοποθετείτε καλώδια προέκτασης ή φορητά τροφοδοτικά κοντά ή πίσω από τη συσκευή.
29. ΠΡΟΕΙΔΟΠΟΙΗΣΗ: Μην χρησιμοποιείτε μηχανικές συσκευές ή επιταχυντές απόψυξης εκτός από αυτές που συνιστά ο κατασκευαστής.

Πριν από την πρώτη χρήση: Κατάλληλη θέση

1. Πριν από την πρώτη χρήση, αφαιρέστε όλες τις συσκευασίες και αφήστε τουλάχιστον 15 cm ελεύθερο χώρο γύρω από τη συσκευή (5 cm στο πλάι, 10 cm στο πίσω μέρος της συσκευής).

2. Τοποθετήστε το ψυγείο σε ένα στεγνό και καλά αεριζόμενο μέρος. Αποθηκεύστε το ψυγείο μακριά από άμεσο ηλιακό φως, θερμαντικά σώματα και διαβρωτικά αέρια.

ΣΗΜΕΙΩΣΗ: Καθώς η λειτουργία της συσκευής βασίζεται στον συμπιεστή, απαιτείται άφθονος χώρος γύρω από τη συσκευή, ώστε να είναι δυνατός ο σωστός εξαερισμός.

ΣΗΜΕΙΩΣΗ: Δεν συνιστάται η μετακίνηση της συσκευής εάν το δάπεδο δεν είναι λείο. Μην χρησιμοποιείτε τη συσκευή εάν το ψυγείο έχει κλίση. Εάν το ψυγείο σύρεται στο χώρο που πρόκειται να χρησιμοποιηθεί, τοποθετήστε το σε όρθια θέση και περιμένετε 10 λεπτά πριν το χρησιμοποιήσετε. Όταν μετακινείτε το ψυγείο, χρησιμοποιείτε πάντα και τις δύο λαβές για να μεταφέρετε τη μονάδα όσο το δυνατόν πιο οριζόντια. Αυτό γίνεται για να προστατευθεί ο συμπιεστής και το σφραγισμένο σύστημα

ΠΡΟΕΙΔΟΠΟΙΗΣΗ: Χρησιμοποιήστε τουλάχιστον δύο άτομα για τη μετακίνηση και το χειρισμό αυτής της συσκευής. Η μη τήρηση αυτής της προειδοποίησης μπορεί να προκαλέσει τραυματισμούς στην πλάτη ή άλλους τραυματισμούς.

3. Εάν είναι δυνατόν, αποθηκεύστε το φορητό ψυγείο μακριά από τη θερμότητα και το άμεσο ηλιακό φως.

4. Το φορητό ψυγείο είναι κατάλληλο για χρήση στο αυτοκίνητο και στο κάμπινγκ, αλλά η συσκευή δεν πρέπει να εκτίθεται στη βροχή ή σε άλλες σκληρές καιρικές συνθήκες.

5. Το φορητό ψυγείο δεν πρέπει να τοποθετείται σε εντοιχισμένο ή εσοχή. Η συσκευή έχει σχεδιαστεί για να είναι

ανεξάρτητη.

6. Η κανονική λειτουργία του ψυγείου εξαρτάται από την ακτινοβολία θερμότητας από τον συμπυκνωτή.

7. Καθαρίζετε την εσωτερική επιφάνεια με λίγο γλιαρό νερό και ένα μαλακό πανί.

Σημείωση: Όταν συνδέετε το καλώδιο τροφοδοσίας DC, βεβαιωθείτε ότι η είσοδος είναι πηγή τροφοδοσίας 12 V ~ DC / 24 V.

ΣΗΜΑΝΤΙΚΟ: Μην αφαιρείτε τις ετικέτες προειδοποίησης, προσοχής ή πληροφοριών προϊόντος από το φορητό ψυγείο αυτοκινήτου.

ΠΕΡΙΓΡΑΦΗ ΤΗΣ ΣΥΣΚΕΥΗΣ Φορητό ψυγείο - Εικόνα Α

1. Βάση
2. Πρίζα
3. Βάση στήριξης
4. Πλαίσιο
5. Καπάκι
6. Πίνακας ελέγχου
7. Καλώδιο τροφοδοσίας DC - για χρήση όταν ταξιδεύετε, συνδέστε το απευθείας στον αναπτήρα του αυτοκινήτου

ΠΙΝΑΚΑΣ ΕΛΕΓΧΟΥ - Εικόνα Β

A - Κουμπί ενεργοποίησης/απενεργοποίησης

B - Κουμπί SET

C - Ένδειξη ισχύος

D - Ένδειξη σφάλματος

E - Οθόνη LCD

F - Κουμπί "+"

G - κουμπί "-"

ΛΕΙΤΟΥΡΓΙΑ

- Όταν προσπαθείτε να συνδέσετε το φορητό ψυγείο σε μια τυπική πρίζα 12 V, η μονάδα δεν θα λειτουργήσει εάν η πρίζα έχει τάση κάτω από 9,6 V. Η μονάδα θα επανεκκινήσει όταν η τάση φτάσει τα 12,2 V ή περισσότερο.

- Όταν επιχειρείτε να συνδέσετε τη συσκευή σε μια τυπική πρίζα 24 V, η συσκευή δεν θα λειτουργήσει εάν η πρίζα έχει τάση μικρότερη από 21,3 V. Η μονάδα θα επανεκκινήσει όταν η τάση φτάσει τα 25,2 V ή περισσότερο.

- Η συσκευή μπορεί επίσης να συνδεθεί σε δίκτυο 230V ~50/60Hz όταν χρησιμοποιείτε εξωτερικό τροφοδοτικό (δεν περιλαμβάνεται). Το συνιστώμενο μοντέλο τροφοδοτικού AC/DC είναι το CR8076.1.

ΠΙΝΑΚΑΣ ΕΛΕΓΧΟΥ (7) - Σχήμα Β

Το φορητό σας ψυγείο χρησιμοποιεί ένα ψηφιακό σύστημα ελέγχου για τη ρύθμιση του θερμοστάτη.

* Κουμπί λειτουργίας (A) - Ενεργοποίηση. / OFF.

1. Συνδέστε το ψυγείο σε μια πηγή ρεύματος, πατήστε το κουμπί λειτουργίας (A) μία φορά για να ενεργοποιήσετε τη μονάδα.

2. Πιέστε ξανά το κουμπί λειτουργίας (A), το ψυγείο θα απενεργοποιηθεί.

* Κουμπί SET :

Πατήστε παρατεταμένα το κουμπί SET για 3 δευτερόλεπτα και εισέλθετε σε προηγμένες λειτουργίες:

ΛΕΙΤΟΥΡΓΙΑ ΠΡΟΣΤΑΣΙΑΣ ΤΑΣΗΣ:

Η μονάδα διαθέτει τρεις λειτουργίες προστασίας της μπαταρίας που προστατεύουν την κανονική λειτουργία του ψυγείου και την προστασία της μπαταρίας του οχήματος.

Αυτά τα τρία επίπεδα προστασίας της μπαταρίας:

H3 - υψηλό επίπεδο προστασίας

για 12 V: σταματά στα 10,9 V και ξεκινά στα 12,2 V.

για 24 V: σταματά στα 23,8 V και ξεκινά στα 25,2 V.

H2 - μεσαίο επίπεδο προστασίας

για 12 V: σταματά στα 9,7 V και ξεκινά στα 11,0 V.

για 24 V: σταματά στα 21,5 V και ξεκινά στα 22,9 V.

H1 - χαμηλό επίπεδο προστασίας:

για 12 V: σταματά στα 9,6 V και ξεκινά στα 10,9 V.

για 24 V: σταματά στα 21,3 V και ξεκινά στα 22,7 V.

Πατήστε σύντομα το κουμπί "+" ή "-" για να επιλέξετε τη λειτουργία. Η λειτουργία ρυθμίζεται στο μεσαίο επίπεδο προστασίας "H2" όταν το ψυγείο είναι έτοιμο για πρώτη χρήση.

ΣΗΜΕΙΩΣΗ: Η ΛΕΙΤΟΥΡΓΙΑ ΤΟΥ ΨΥΓΕΙΟΥ ΔΕΝ ΕΙΝΑΙ ΔΥΝΑΤΗ:

Συνιστάται να ρυθμίζετε την προστασία της μπαταρίας στο H2 (μεσαίο επίπεδο) όταν η μονάδα χρησιμοποιείται σε αυτοκίνητο.

Συνιστάται να ρυθμίζετε την προστασία της μπαταρίας σε H2 (μεσαίο επίπεδο) ή H1 (χαμηλό επίπεδο) εάν πρόκειται για εξωτερική μπαταρία ή εφεδρική μπαταρία.

Λόγω της διαφοράς στην τάση εξόδου από τις διάφορες εξόδους της παροχής ρεύματος του οχήματος, εάν υπάρχει προστασία τάσης (η οθόνη LCD δείχνει F1), η λειτουργία της μπαταρίας μπορεί να μειωθεί σε χαμηλότερη (το H3 μεταβαίνει σε H2 ή H1).

* Το κουμπί "+" (F) χρησιμοποιείται για την αύξηση της θερμοκρασίας ή άλλων ρυθμίσεων που περιγράφονται παραπάνω.

* Το κουμπί "-" (G) χρησιμοποιείται για τη μείωση της θερμοκρασίας ή άλλων ρυθμίσεων που περιγράφονται παραπάνω.

* Ένδειξη λειτουργίας (C):

- Όταν το ψυγείο είναι ενεργοποιημένο, η ενδεικτική λυχνία είναι κόκκινη.
- Όταν το ψυγείο απενεργοποιείται, η ενδεικτική λυχνία σβήνει.

* Ένδειξη σφάλματος (D):

- Σε περίπτωση σφάλματος, ο βομβητής χτυπάει συνεχώς.
- Οι κωδικοί σφάλματος θα εμφανιστούν στην οθόνη.
- Η ένδειξη βλάβης (D) θα ανάψει με μπλε χρώμα.

* Οθόνη LCD (E): εμφανίζει

- Εμφανίζει τη θερμοκρασία και άλλες ρυθμίσεις.
- Στην οθόνη ενδέχεται να εμφανιστούν κωδικοί σφαλμάτων, όπως παρακάτω:

F1: Διακοπή τάσης

F2: Σφάλμα ρεύματος ανεμιστήρα

F3: Σφάλμα εκκίνησης συμπιεστή

F4: Σφάλμα ελάχιστης ταχύτητας συμπιεστή

F5: Βλάβη θερμοκρασίας ελεγκτή

E0: Διακοπή κυκλώματος αισθητήρα

E1: Βραχυκύκλωμα αισθητήρα

Η οθόνη LCD επιτρέπει τη ρύθμιση της θερμοκρασίας από -20°C έως +20°C. Η πραγματικά επιτευχθείσα θερμοκρασία στο εσωτερικό της μονάδας εξαρτάται από τις εξωτερικές συνθήκες. Για παράδειγμα, σε θερμοκρασία περιβάλλοντος +25°C, η χαμηλότερη επιτευχθείσα θερμοκρασία στο εσωτερικό της μονάδας είναι -20°C. Η μονάδα δεν διαθέτει λειτουργία θέρμανσης.

ΣΗΜΕΙΩΣΗ: Εάν το σύστημα παρουσιάσει δυσλειτουργία, ελέγξτε πρώτα ότι η τάση της μπαταρίας είναι σωστή. Εάν η τάση της μπαταρίας είναι σωστή, περιμένετε 3 λεπτά πριν ενεργοποιήσετε το ψυγείο. Εάν το σύστημα εξακολουθεί να δυσλειτουργεί μετά την επανεκκίνηση της συσκευής, επικοινωνήστε με το σέρβις για βοήθεια.

Συνήθεις ρυθμίσεις θερμοκρασίας για την αποθήκευση:

- °C έως +18 °C)
- Εμβόλια, ινσουλίνη (από + 2 °C έως - 8 °C)
- Φρούτα (από 4 °C έως - 6 °C)
- Ποτά (2 °C έως - 5 °C)
- Κρέας (-10 °C)
- Παγωτό (-15 °C)

Να είστε προσεκτικοί εάν θέλετε να αποθηκεύσετε φάρμακα στο ψυγείο. συσκευάστε τα τρόφιμα σε δοχεία/σακούλες που έχουν σχεδιαστεί για το σκοπό αυτό πριν τα τοποθετήσετε στη μονάδα.

ΚΑΘΑΡΙΣΜΟΣ ΚΑΙ ΣΥΝΤΗΡΗΣΗ

Να βγάξετε πάντα το φις από την πρίζα πριν από τον καθαρισμό της συσκευής.

Καθαρίζετε με ένα μαλακό, στεγνό πανί χρησιμοποιώντας ήπια απορρυπαντικά. Μην χρησιμοποιείτε χημικά

διαλυτικά, καθώς μπορεί να προκαλέσουν μόνιμη βλάβη ή παραμόρφωση στη συσκευή.

ΑΝΤΙΜΕΤΩΠΙΣΗ ΠΡΟΒΛΗΜΑΤΩΝ

Ακολουθήστε τον παρακάτω οδηγό αντιμετώπισης προβλημάτων για την επίλυση κοινών προβλημάτων.

Πρόβλημα I: Η μονάδα δεν λειτουργεί καθόλου και δεν δείχνει κανένα σημάδι τροφοδοσίας.

Πιθανή αιτία 1: Η συσκευή δεν τροφοδοτείται με ρεύμα.

Λύση για την πιθανή αιτία 1: Βεβαιωθείτε ότι η συσκευή είναι συνδεδεμένη.

Πιθανή αιτία 2: Δεν υπάρχει επαρκής ισχύς.

Λύση για την πιθανή αιτία 2: Μετακινήστε τη συσκευή σε άλλη πρίζα. Ελέγξτε τον διακόπτη κυκλώματος.

(Ανατρέξτε στην πινακίδα ονομαστικών τιμών στο πίσω μέρος της συσκευής για να προσδιορίσετε την κατανάλωση ρεύματος).

Πιθανή αιτία 3: Καλώδιο τροφοδοσίας συνεχούς ρεύματος

Λύση για την πιθανή αιτία 4: Δοκιμάστε τη συσκευή με μια άλλη παροχή ρεύματος, π.χ. με ένα άλλο όχημα με γνωστή λειτουργική πρίζα συνεχούς ρεύματος.

Πιθανή αιτία 4: Αποσυνδεδεμένα καλώδια.

Λύση για την πιθανή αιτία 5: Επικοινωνήστε με την υπηρεσία εξυπηρέτησης πελατών.

Πρόβλημα II: Η συσκευή κάνει περίεργους θορύβους.

Πιθανή αιτία 1: Η συσκευή δεν είναι επίπεδη.

Λύση 1: Μετακινήστε τη συσκευή σε μια επίπεδη, επίπεδη επιφάνεια.

Πρόβλημα III: Η συσκευή παράγει έναν δυνατό, συνεχή μεταλλικό ήχο χτυπήματος.

Πιθανή αιτία 1: Η συσκευή μπορεί να έχει σταλεί στο πλάι.

Λύση 1: Απενεργοποιήστε τη μονάδα. Αφήστε τη μονάδα σε μια επίπεδη επιφάνεια για τουλάχιστον 24 ώρες και επανεκκινήστε την.

Πιθανή αιτία 2: Ελαττωματικός συμπιεστής

Λύση 2: Επικοινωνήστε με την υπηρεσία εξυπηρέτησης πελατών.

Πρόβλημα IV: Η μονάδα λειτουργεί για λίγο και στη συνέχεια ενεργοποιείται το καλώδιο τροφοδοσίας ή ο διακόπτης.

Πιθανή αιτία: Η συσκευή μπορεί να είναι συνδεδεμένη σε πρίζα που δεν παρέχει επαρκή ισχύ.

Λύση: Επικοινωνήστε με έναν ηλεκτρολόγο εάν η συσκευή λειτουργεί σε άλλο δωμάτιο ή κύκλωμα.

Πρόβλημα V: Οι λυχνίες του πίνακα ελέγχου αναβοσβήνουν τυχαία.

Πιθανή αιτία: Η συσκευή μπορεί να έχει ελαττωματικό πίνακα ελέγχου.

Λύση: Κάντε επανεκκίνηση της συσκευής και αν το πρόβλημα επιμένει, επικοινωνήστε με την υπηρεσία εξυπηρέτησης πελατών.

Πρόβλημα VI: Έχει εμφανιστεί σφάλμα HH στη συσκευή

Πιθανή αιτία: Η θερμοκρασία περιβάλλοντος υπερβή τους 40°C.

Λύση: Κάντε επανεκκίνηση της συσκευής και αν το πρόβλημα επιμένει, επικοινωνήστε με την υπηρεσία εξυπηρέτησης πελατών.

Πρόβλημα VII: Στη συσκευή έχει εμφανιστεί ένα σφάλμα OC.

Πιθανή αιτία: Έχει εντοπιστεί σφάλμα θερμοστάτη.

Λύση: Κάντε επανεκκίνηση της μονάδας και αν το πρόβλημα επιμένει, επικοινωνήστε με την υπηρεσία εξυπηρέτησης πελατών.

Πρόβλημα VIII: Έχει εμφανιστεί ένα σφάλμα S.C. στη συσκευή.

Πιθανή αιτία: Εντοπίστηκε βραχυκύκλωμα στον θερμοστάτη.

Λύση: Επανεκκινήστε τη συσκευή και αν το πρόβλημα εξακολουθεί να υφίσταται, επικοινωνήστε με την υπηρεσία εξυπηρέτησης πελατών.

Πρόβλημα IX: Η συσκευή τροφοδοτείται με ρεύμα, αλλά ο συμπιεστής δεν λειτουργεί.

Πιθανή αιτία 1: Η θερμοκρασία περιβάλλοντος είναι πολύ χαμηλή.

Λύση 1: Μετακινήστε τη μονάδα σε μια πιο ζεστή τοποθεσία.

Πιθανή αιτία 2: Αποσυνδεδεμένο καλώδιο.

Λύση 2: Επικοινωνήστε με την υπηρεσία εξυπηρέτησης πελατών.

ΠΡΟΣΟΧΗ: ΚΙΝΔΥΝΟΣ ΠΥΡΚΑΓΙΑΣ / ΕΥΦΛΕΚΤΟ ΥΛΙΚΟ



ΤΕΧΝΙΚΑ ΔΕΔΟΜΕΝΑ

Χωρητικότητα: 40 λίτρα

Παροχή ρεύματος:

- DC 12V / 24V - υποδοχή αναπτήρα τσιγάρων

- 230V ~50/60Hz - πρίζα δικτύου μετά από χρήση εξωτερικής μονάδας τροφοδοσίας (δεν περιλαμβάνεται)

Ψυκτικό μέσο: R600a / 40g

Κλιματική κλάση: S / SN

Μόνωση: C5H10

Ονομαστική κατανάλωση ισχύος: 45W

Μέγιστο ονομαστικό ρεύμα: 3,7A

Για χάρη του περιβάλλοντος. Οι χάρτινες συσκευασίες και οι σακούλες πολυαιθυλενίου (PE) πρέπει να απορρίπτονται στους κατάλληλους περιέκτες για χωριστή συλλογή αστικών απορριμμάτων σύμφωνα με την περιγραφή τους. Εάν υπάρχουν μπαταρίες στη συσκευή, αυτές πρέπει να αφαιρεθούν και να απορριφθούν χωριστά σε μια εγκατάσταση συλλογής και αποθήκευσης. Η χρησιμοποιημένη συσκευή πρέπει να μεταφερθεί σε κατάλληλη εγκατάσταση συλλογής και αποθήκευσης, καθώς οι επικίνδυνες ουσίες που περιέχει ενδέχεται να θέσουν σε κίνδυνο την υγεία και το περιβάλλον. Η σήμανση στο προϊόν υποδεικνύει ότι η συσκευή δεν πρέπει να απορρίπτεται στον αστικό κάδο απορριμμάτων.



Η απόβλητα ηλεκτρικών συσκευών είναι απόβλητα που περιέχουν ουσίες που είναι επιβλαβείς για τον άνθρωπο, τα ζώα και το περιβάλλον. Οι ουσίες αυτές μπορεί να μολύνουν το έδαφος, το νερό ή τον αέρα και μέσω αυτού να εισέλθουν στον ανθρώπινο οργανισμό και να οδηγήσουν σε μια σειρά από προβλήματα υγείας, όπως διαταραχές της όρασης, της ακοής, της ομιλίας, μπορεί επίσης να βλάψουν τα νεφρά, το σκότι και την καρδιά και να προκαλέσουν δερματικές παθήσεις. Οι επιβλαβείς ουσίες μπορούν επίσης να έχουν δυσμενείς επιπτώσεις στο αναπνευστικό και το αναπαραγωγικό σύστημα και να οδηγήσουν σε καρκινικές μεταβολές. Η κατανάλωση φυτών που αναπτύσσονται στα προσβεβλημένα εδάφη, καθώς και προϊόντων που παρασκευάζονται από αυτά, μπορεί να έχει ως αποτέλεσμα τις προαναφερθείσες επιπτώσεις στην υγεία. **Μην πετάτε τον εξοπλισμό στον κάδο αστικών απορριμμάτων!**

Υπηρεσία Εάν επιθυμείτε να αγοράσετε ανταλλακτικά ή έχετε οποιαδήποτε παράπονα, παρακαλούμε επικοινωνήστε απευθείας με τον αντιπρόσωπο που εξέδωσε την απόδειξη παραλαβής.

Gebruikershandleiding (NL)

ALGEMENE VEILIGHEIDSVORWAARDEN

BELANGRIJKE VEILIGHEIDSinSTRUCTIES VOOR GEBRUIK

ZORGVULDIG LEZEN EN BEWAREN VOOR TOEKOMSTIG GEBRUIK

1. Lees de gebruiksaanwijzing voordat u het apparaat gebruikt en volg de instructies op die erin staan. De fabrikant is niet aansprakelijk voor schade veroorzaakt door gebruik van het apparaat dat niet overeenstemt met het bedoelde gebruik of door onjuist gebruik.
2. Het apparaat is uitsluitend bestemd voor niet-commercieel gebruik. Gebruik het apparaat niet voor andere doeleinden die onverenigbaar zijn met het beoogde gebruik.
3. Het apparaat moet naar behoefte worden aangesloten op een "sigarettenaansteker" in een auto met een spanning van 12V of 24V, of op een

stopcontact 220-240 V ~ 50-60 Hz. (Selecteer afhankelijk van het type apparaat de juiste voedingsparameter).

Om de gebruiksveiligheid te verhogen, mogen niet meerdere elektrische apparaten tegelijkertijd op één circuit worden aangesloten.

4. Wees extra voorzichtig wanneer u het apparaat gebruikt in de aanwezigheid van kinderen. Laat kinderen niet met het apparaat spelen en laat kinderen of personen die niet vertrouwd zijn met het apparaat, het apparaat niet gebruiken.

5. **WAARSCHUWING:** Dit apparaat mag worden gebruikt door kinderen ouder dan 8 jaar en personen met beperkte fysieke, zintuiglijke of mentale capaciteiten, of personen zonder ervaring of kennis van het apparaat, als dit gebeurt onder toezicht van een persoon die verantwoordelijk is voor hun veiligheid of als zij instructies hebben gekregen over het veilige gebruik van het apparaat en zich bewust zijn van de gevaren die gepaard gaan met het gebruik ervan. Kinderen mogen niet met de uitrusting spelen. Reiniging en onderhoud van de uitrusting mogen niet worden uitgevoerd door kinderen, tenzij ze ouder zijn dan 8 jaar en de activiteit onder toezicht wordt uitgevoerd.

6. Haal na gebruik altijd de stekker uit het stopcontact door het stopcontact met uw hand vast te houden. Trek NIET aan het netsnoer.

7. Dompel het snoer, de stekker of het hele apparaat NIET onder in water of een andere vloeistof. Stel het apparaat niet bloot aan weersomstandigheden (regen, zon, enz.) en gebruik het niet in vochtige omstandigheden (badkamers, vochtige campers).

8. Controleer regelmatig de staat van het netsnoer. Als het netsnoer beschadigd is, moet het worden vervangen door een gespecialiseerde reparateur om gevaar te voorkomen.

9. Gebruik het apparaat niet met een beschadigd netsnoer of als het gevallen of op een andere manier beschadigd is of niet goed werkt. Repareer het apparaat niet zelf, omdat er dan gevaar voor elektrische schokken bestaat. Breng het beschadigde apparaat naar een bevoegd servicecentrum voor inspectie of reparatie. Reparaties mogen alleen worden uitgevoerd door erkende servicecentra. Ondeskundige reparaties kunnen een ernstig risico voor de gebruiker inhouden.

10. Plaats het apparaat op een koele, stabiele en vlakke ondergrond die het gewicht van het apparaat en de gehele inhoud kan dragen, uit de buurt van hete keukenapparatuur zoals: elektrische kookplaten, gasbranders, etc....

11. Gebruik het apparaat niet in de buurt van ontvlambare materialen.

12. Het netsnoer mag niet over de rand van de tafel hangen of hete oppervlakken raken.

13. Voor extra bescherming is het aan te raden om een aardlekschakelaar (RCD) in het elektrische circuit te installeren met een nominale aardlekstroom van maximaal 30 mA. Raadpleeg hiervoor een elektricien.
14. Gebruik het apparaat niet als de aansluitingen nat zijn.
15. Als u het apparaat in een auto of op een boot gebruikt, controleer dan of de zekering die het voedingssysteem beschermt, werkt.
16. Bescherm het apparaat tegen warmtebronnen en zonlicht.
17. Plaats reeds gekoelde producten in het apparaat.
18. Plaats het apparaat in een goed geventileerde ruimte. De afstand tot andere voorwerpen moet minstens 20 cm bedragen.
19. WAARSCHUWING: Blokkeer de ventilatieopeningen in de behuizing van het apparaat niet.
20. WAARSCHUWING: Bescherm het circuit dat het koelmiddel bevat tegen beschadiging.
21. WAARSCHUWING: Gebruik of bewaar geen elektrische apparatuur in de voedselopslagruimte.
22. WAARSCHUWING: Als de deur gedurende langere tijd wordt geopend, kan de temperatuur in de compartimenten van het apparaat aanzienlijk stijgen.
23. WAARSCHUWING: Reinig oppervlakken die in contact kunnen komen met voedsel regelmatig.
24. WAARSCHUWING: Bewaar rauw vlees en vis in speciale containers zodat de producten niet met elkaar in contact komen en niet op ander voedsel druppelen.
25. WAARSCHUWING: Als de koelunit gedurende langere tijd leeg blijft, schakel deze dan uit, ontdooi, reinig, droog en laat de deur open om schimmelvorming in de unit te voorkomen.
26. WAARSCHUWING: Bewaar geen explosieve materialen zoals blikken met ontvlambare spuitbussen enz. in de koelkast.
27. WAARSCHUWING: Zorg er bij het opstellen van het apparaat voor dat het netsnoer niet bekneld raakt door de koelkast of beschadigd raakt.
28. WAARSCHUWING: Plaats geen verlengsnoeren of draagbare stroomvoorzieningen in de buurt van of achter het apparaat.
29. WAARSCHUWING: Gebruik geen andere mechanische apparaten of ontdooiingsversnellers dan die worden aanbevolen door de fabrikant.

Voor het eerste gebruik: Juiste locatie

1. Verwijder voor het eerste gebruik alle verpakking en laat minstens 15 cm vrije ruimte rond het apparaat (5 cm aan de zijkant, 10 cm aan de achterkant van het apparaat).
2. Plaats de koelkast op een droge en goed geventileerde plaats. Bewaar de koelkast uit de buurt van direct zonlicht, verwarmingen en corrosieve gassen.

OPMERKING: Omdat het apparaat werkt op basis van een compressor, is er voldoende ruimte rondom het apparaat nodig voor een goede ontluchting.

OPMERKING: Het wordt afgeraden om het apparaat te verplaatsen als de vloer niet glad is. Niet gebruiken als de koelkast schuin staat. Als de koelkast naar de te gebruiken plaats wordt gesleept, zet hem dan rechtop en wacht 10 minuten voordat u hem gebruikt. Gebruik bij het verplaatsen van de koelkast altijd beide handgrepen om het apparaat zo horizontaal mogelijk te dragen. Dit om de compressor en het gesloten systeem te beschermen

WAARSCHUWING: Gebruik minstens twee personen om dit apparaat te verplaatsen en te hanteren. Het niet in acht nemen van deze waarschuwing kan leiden tot rugletsel of andere verwondingen.

3. Bewaar de draagbare koelkast indien mogelijk uit de buurt van hitte en direct zonlicht.

4. De draagbare koelkast is geschikt voor gebruik in de auto en op de camping, maar het apparaat mag niet worden blootgesteld aan regen of andere barre weersomstandigheden.

5. De draagbare koelkast mag niet in een ingebouwde of verzonken ruimte worden geplaatst. Het apparaat is ontworpen om vrij te staan.

6. De normale werking van de koelkast is afhankelijk van de warmtestraling van de condensor.

7. Reinig de binnenkant met een beetje lauw water en een zachte doek.

Opmerking: Zorg er bij het aansluiten van het gelijkstroomsnoer voor dat de ingang een 12 V ~ DC / 24 V voedingsbron is.

BELANGRIJK: Verwijder geen waarschuwings-, voorzogs- of productinformatiestickers van de draagbare autokoelkast.

BESCHRIJVING Draagbare koelkast - Afbeelding A

1. Basis
2. Stopcontact
3. Houder
4. Frame
5. Deksel
6. Bedieningspaneel
7. DC-stroomkabel - voor gebruik op reis, rechtstreeks in de sigarettenaansteker van de auto steken

Bedieningspaneel - afbeelding B

A - AAN/UIT aan/uit-knop

B - SET knop

C - Voedingsindicator

D - Foutindicator

E - LCD-scherm

F - "+"-knop

G - "-"-knop

BEDIENING

- Als u probeert de draagbare koelkast aan te sluiten op een standaard 12V-stopcontact, zal het apparaat niet werken als het stopcontact een spanning van minder dan 9,6 V heeft. Het apparaat zal opnieuw opstarten wanneer de spanning 12,2 V of meer bedraagt.

- Als u probeert het apparaat op een standaard stopcontact van 24 volt aan te sluiten, zal het apparaat niet werken als het stopcontact een spanning van minder dan 21,3 volt heeft. Het apparaat zal opnieuw opstarten wanneer de spanning 25,2 V of meer bedraagt.

- Het apparaat kan ook worden aangesloten op 230V ~50/60Hz netspanning bij gebruik van een externe voeding (niet meegeleverd). De aanbevolen AC/DC-voeding is CR8076.1.

Bedieningspaneel (7) - afbeelding B

Je draagbare koelkast gebruikt een digitaal regelsysteem om de thermostaat aan te passen.

* Aan/uit-knop (A) - ON. / OFF.

1. Sluit de koelkast aan op een voedingsbron en druk één keer op de aan/uit-knop (A) om het apparaat in te schakelen.
2. Druk nogmaals op de aan/uit-knop (A) om de koelkast uit te schakelen.

* SET-knop :

Houd de SET-knop 3 seconden lang ingedrukt om geavanceerde modi te openen:

ITMODUS VOOR SPANNINGSBEVEILIGING:

Het apparaat heeft drie accubeschermingsfuncties die de normale werking van de koelkast beschermen en de accu van het voertuig beschermen.

Deze drie niveaus van accubescherming:

H3 - hoog beschermingsniveau

voor 12 V: stopt bij 10,9 V en start bij 12,2 V.

voor 24 V: stopt bij 23,8 V en start bij 25,2 V.

H2 - gemiddeld beschermingsniveau

voor 12 V: stopt bij 9,7 V en start bij 11,0 V.

voor 24 V: stopt bij 21,5 V en start bij 22,9 V.

H1 - laag beschermingsniveau:

voor 12 V: stopt bij 9,6 V en start bij 10,9 V.

voor 24 V: stopt bij 21,3 V en start bij 22,7 V.

Druk kort op de knop "+" of "-" om de functie te selecteren. De functie is ingesteld op gemiddeld beschermingsniveau "H2" wanneer de koelkast klaar is voor het eerste gebruik.

OPMERKING:

Het wordt aanbevolen om de batterijbeveiliging in te stellen op H2 (gemiddeld niveau) wanneer het apparaat in een auto wordt gebruikt.

Het wordt aanbevolen om de batterijbeveiliging in te stellen op H2 (gemiddeld niveau) of H1 (laag niveau) als het een externe batterij of een back-upbatterij betreft.

Vanwege het verschil in uitgangsspanning van de verschillende uitgangen van de voeding van het voertuig, als er een spanningsbeveiliging is (LCD-display toont F1), kan de accufunctie worden verlaagd naar een lager niveau (H3 wordt geschakeld naar H2 of H1).

* De '+'-knop (F) wordt gebruikt om de temperatuur of andere hierboven beschreven instellingen te verhogen.

* De '-'-knop (G) wordt gebruikt om de temperatuur of andere hierboven beschreven instellingen te verlagen.

* Aan/uit-indicator (C):

- Wanneer de koelkast is ingeschakeld, is het indicatielampje rood.

- Als de koelkast wordt uitgeschakeld, gaat het lampje uit.

* Foutindicator (D):

- In geval van een storing gaat de zoemer continu af.

- Foutcodes verschijnen op het scherm.

- De storingsindicator (D) licht blauw op.

* LCD-scherm (E): toont

- Geeft de temperatuur en andere instellingen weer.

- Er kunnen foutcodes op het scherm verschijnen, zoals hieronder:

F1: Spanningsfout

F2: Fout ventilatorstroom

F3: Startfout compressor

F4: Fout minimale compressorsnelheid

F5: Fout regelaar temperatuur

E0: Onderbroken sensorcircuit

E1: Kortsluiting sensor

Op het LCD-scherm kan de temperatuur worden ingesteld van -20°C tot +20°C. De werkelijke bereikte temperatuur in de unit hangt af van de externe omstandigheden. Bijvoorbeeld, bij een omgevingstemperatuur van +25°C is de laagste bereikte temperatuur in de unit -20°C. De unit heeft geen verwarmingsfunctie.

OPMERKING: Als het systeem niet goed werkt, controleer dan eerst of de batterijspanning goed is. Als de accuspanning correct is, wacht dan 3 minuten voordat u de koelkast inschakelt. Als het systeem nog steeds niet goed werkt nadat u het apparaat opnieuw hebt opgestart, neem dan contact op met de serviceafdeling voor assistentie.

Gebruikelijke temperatuurinstellingen voor opslag:

- Wijn (+ 6 °C tot + 18 °C)

- Vaccins, insuline (van + 2 °C tot - 8 °C)

- Fruit (van 4 °C tot - 6 °C)
- Dranken (2 °C tot - 5 °C)
- Vlees (-10 °C)
- IJs (-15 °C)

Wees voorzichtig als je medicijnen in de koelkast wilt bewaren. Verpak voedsel in bakken/zakken die voor dit doel ontworpen zijn voordat je het in het apparaat zet.

SCHOONMAKEN EN ONDERHOUD

Haal altijd de stekker uit het stopcontact voordat u het apparaat schoonmaakt.

Reinig het apparaat met een zachte, droge doek en een mild schoonmaakmiddel. Gebruik geen chemische oplosmiddelen, aangezien deze permanente schade of vervorming aan het apparaat kunnen veroorzaken.

PROBLEMEN OPLOSSEN

Volg de onderstaande probleemoplossingsgids om veelvoorkomende problemen op te lossen.

Probleem I: Het apparaat werkt helemaal niet en geeft geen stroom.

Mogelijke oorzaak 1: Het apparaat krijgt geen stroom.

Oplossing voor mogelijke oorzaak 1: Controleer of het apparaat is aangesloten.

Mogelijke oorzaak 2: Onvoldoende stroom.

Oplossing voor mogelijke oorzaak 2: Verplaats het apparaat naar een ander stopcontact. Controleer de stroomonderbreker. (Raadpleeg het typeplaatje op de achterkant van het apparaat om het stroomverbruik te bepalen).

Mogelijke oorzaak 3: Gelijkstroomkabel

Oplossing voor mogelijke oorzaak 4: Test het apparaat met een andere voeding, bijvoorbeeld een ander voertuig met een bekend werkend gelijkstroomstopcontact.

Mogelijke oorzaak 4: Losse draden.

Oplossing voor mogelijke oorzaak 5: Neem contact op met de klantenservice.

Probleem II: Het apparaat maakt vreemde geluiden.

Mogelijke oorzaak 1: Het apparaat staat niet waterpas.

Oplossing 1: Plaats het apparaat op een vlak, horizontaal oppervlak.

Probleem III: Het apparaat maakt een hard, continu metaalachtig tikkend geluid.

Mogelijke oorzaak 1: Het apparaat is mogelijk op zijn kant gelegd.

Oplossing 1: Schakel het apparaat uit. Laat het apparaat minstens 24 uur op een vlakke ondergrond staan en start het opnieuw op.

Mogelijke oorzaak 2: Defecte compressor

Oplossing 2: Neem contact op met de klantenservice.

Probleem IV: Het apparaat werkt een tijdje en schakelt dan het netsnoer of de stroomonderbreker uit.

Mogelijke oorzaak: Het apparaat is mogelijk aangesloten op een stopcontact dat onvoldoende stroom levert.

Oplossing: Neem contact op met een elektricien als het apparaat in een andere kamer of op een ander circuit werkt.

Probleem V: De lampjes op het bedieningspaneel knipperen willekeurig.

Mogelijke oorzaak: Het bedieningspaneel van het apparaat kan defect zijn.

Oplossing: Start het apparaat opnieuw op en neem contact op met de klantenservice als het probleem aanhoudt.

Probleem VI: Het apparaat heeft een HH-fout

Mogelijke oorzaak: De omgevingstemperatuur is hoger dan 40°C.

Oplossing: Start het apparaat opnieuw op en neem contact op met de klantenservice als het probleem zich blijft voordoen.

Probleem VII: Er is een OC-fout opgetreden in het apparaat.

Mogelijke oorzaak: Er is een thermostaatfout gedetecteerd.

Oplossing: Start de unit opnieuw op en neem contact op met de klantenservice als het probleem aanhoudt.

Probleem VIII: Er is een S.C. fout opgetreden in het apparaat.

Mogelijke oorzaak: Er is kortsluiting gedetecteerd in de thermostaat.

Oplossing: Start het apparaat opnieuw op en neem contact op met de klantenservice als het probleem aanhoudt.

Probleem IX: Het apparaat krijgt stroom maar de compressor werkt niet.

Mogelijke oorzaak 1: De omgevingstemperatuur is te laag.

Oplossing 1: Verplaats de unit naar een warmere locatie.

Mogelijke oorzaak 2: De kabel is losgekoppeld.

Oplossing 2: Neem contact op met de klantenservice.

LET OP: BRANDGEVAAR / BRANDBAAR MATERIAAL



TECHNISCHE GEGEVENS

Inhoud: 40 liter

Stroomvoorziening:

- DC 12V / 24V - sigarettenaanstekeraansluiting

- 230V ~50/60Hz - stopcontact na gebruik van een externe voeding (niet inbegrepen)

Koelmiddel: R600a / 40g

Klimaatklasse: S / SN

Isolatie: C5H10

Nominaal opgenomen vermogen: 45W

Maximale nominale stroom: 3,7A

Voor het milieu. Kartonnen verpakkingen en polyethyleen (PE) zakken moeten worden weggegooid in de daarvoor bestemde containers voor gescheiden inzameling van huishoudelijk afval volgens hun beschrijving. Als er batterijen in het apparaat zitten, moeten deze worden verwijderd en apart worden ingeleverd bij een inzamel- en opslagpunt. Het gebruikte apparaat moet naar een geschikte inzamel- en opslagplaats worden gebracht, omdat de gevaarlijke stoffen die het bevat een risico kunnen vormen voor de gezondheid en het milieu. De markering op het product geeft aan dat het apparaat niet in de gemeentelijke afvalcontainer mag worden gegooid. Afgedankte elektrische apparaten zijn afvalstoffen die stoffen bevatten die schadelijk zijn voor mens, dier en milieu. Deze stoffen kunnen de bodem, het water of de lucht verontreinigen en zo het menselijk lichaam binnendringen en leiden tot een aantal gezondheidsproblemen, zoals verminderd gezichtsvermogen, gehoor, spraak, kunnen ook de nieren, de lever en het hart beschadigen en huidziekten veroorzaken. Schadelijke stoffen kunnen ook nadelige effecten hebben op het ademhalings- en voortplantingssysteem en leiden tot kankerachtige veranderingen. Het consumeren van planten die op de aangetaste bodems groeien en producten die van deze bodems gemaakt zijn, kan leiden tot bovengenoemde gezondheidseffecten. **Gooi de apparatuur niet bij het huisvuil!**

Service Als u reserveonderdelen wilt kopen of als u klachten hebt, kunt u rechtstreeks contact op met de dealer die de aankoopbon heeft afgegeven.

Navodila za uporabo (SL)

SPLOŠNI VARNOSTNI POGOJI

POMEMBNA VARNOSTNA NAVODILA ZA UPORABO

POZORNO PREBERITE IN SHRANITE ZA POZNEJŠO UPORABO

1. Pred uporabo naprave preberite navodila za uporabo in upoštevajte navodila iz njih. Proizvajalec ne odgovarja za škodo, ki nastane zaradi uporabe aparata, ki ni v skladu z njegovim namenom, ali zaradi nepravilnega ravnanja z njim.
2. Naprava je namenjena samo za nekomercialno uporabo. Naprave ne uporabljajte za noben drug namen, ki ni združljiv z njeno predvideno uporabo.

3. Napravo je treba po potrebi priključiti v avtomobilsko vtičnico "vžigalnik za cigarete" z napetostjo 12 ali 24 V ali v omrežno vtičnico 220-240 V ~ 50-60 Hz. (Glede na vrsto naprave izberite ustrezen parameter napajanja). Zaradi večje varnosti uporabe na en tokokrog ne sme biti hkrati priključenih več električnih naprav.
4. Pri uporabi naprave v prisotnosti otrok bodite še posebej previdni. Ne dovolite otrokom, da se igrajo z napravo ne dovolite, da bi napravo uporabljali otroci ali osebe, ki niso seznanjene z napravo.
5. **OPOZORILO:** To opremo lahko uporabljajo otroci, starejši od 8 let, in osebe z zmanjšanimi fizičnimi, senzoričnimi ali duševnimi sposobnostmi ali osebe brez izkušenj ali poznavanja opreme, če to počnejo pod nadzorom osebe, odgovorne za njihovo varnost, ali če so prejeli navodila za varno uporabo opreme in se zavedajo nevarnosti, povezanih z njeno uporabo. Otroci se z opremo ne smejo igrati. Otroci ne smejo čistiti in vzdrževati opreme, razen če so starejši od 8 let in dejavnost izvajajo pod nadzorom.
6. Po uporabi vedno izvlecite vtič iz električne vtičnice tako, da vtičnico primete z roko. NE vleci za omrežni kabel.
7. NE potaplajte kabla, vtiča ali celotne enote v vodo ali katero koli drugo tekočino. Naprave ne izpostavljajte vremenskim vplivom (dež, sonce itd.) in je ne uporabljajte v vlažnih prostorih (kopalnice, vlažni avtodomi).
8. Redno preverjajte stanje napajalnega kabla. Če je napajalni kabel poškodovan, ga mora zamenjati specializiran serviser, da se izognete nevarnosti.
9. Naprave ne uporabljajte s poškodovanim napajalnim kablom ali če vam je padla, se kako drugače poškodovala ali ne deluje pravilno. Naprave ne popravljajte sami, saj obstaja nevarnost električnega udara. Poškodovani aparat odnesite na pregled ali popravilo v pristojni servisni center. Popravila lahko opravljajo le pooblaščen servisni centri. Nepravilno popravilo lahko predstavlja resno tveganje za uporabnika.
10. Napravo postavite na hladno, stabilno in ravno površino, ki lahko prenese težo naprave in vse njene vsebine, stran od vročih kuhinjskih naprav, kot so: električni štedilnik, plinski gorilnik itd....
11. Naprave ne uporabljajte v bližini vnetljivih materialov.
12. Napajalni kabel ne sme viseti čez rob mize ali se dotikati vročih površin.
13. Za dodatno zaščito je priporočljivo, da v električni tokokrog namestite napravo za preostali tok (RCD) z nazivnim preostalim tokom, ki ne presega 30 mA. Pri tem se posvetujte s strokovnjakom za elektriko.
14. Naprave ne uporabljajte, če so priključne vtičnice mokre.

15. Če aparat uporabljate v avtomobilu ali na plovilu, preverite, ali deluje varovalka, ki ščiti napajalni sistem.
16. Napravo zaščitite pred viri toplote in sončno svetlobo.
17. V enoto vstavite že ohlajene izdelke.
18. Enoto postavite na ustrezno prezračevano mesto. Oddaljenost od drugih predmetov naj bo vsaj 20 cm.
19. **OPOZORILO:** Ne zapirajte prezračevalnih odprtin v ohišju naprave.
20. **OPOZORILO:** Pred poškodbami zaščitite tokokrog, v katerem je hladilno sredstvo.
21. **OPOZORILO:** Ne uporabljajte in ne shranjujte električne opreme v prostoru za shranjevanje živil.
22. **OPOZORILO:** Dolgotrajno odpiranje vrat lahko povzroči, da se temperatura v oddelkih naprave močno poviša.
23. **OPOZORILO:** Redno čistite površine, ki lahko pridejo v stik z živili.
24. **OPOZORILO:** Surovo meso in ribe shranjujte v namenskih posodah, da izdelki ne pridejo v stik drug z drugim in da ne kapljajo na druga živila.
25. **OPOZORILO:** Če hladilna enota dlje časa ostane prazna, jo izklopite, odmrznite, očistite, posušite in pustite vrata odprta, da v njej ne nastane plesen.
26. **OPOZORILO:** V hladilniku ne shranjujte eksplozivnih snovi, kot so pločevinke z vnetljivim aerosolom itd.
27. **OPOZORILO:** Pri nameščanju naprave se prepričajte, da napajalni kabel ni stisnjen s hladilnikom ali poškodovan.
28. **OPOZORILO:** Podaljševalnih kablov ali prenosnih napajalnikov ne postavljajte v bližino ali za napravo.
29. **OPOZORILO:** Ne uporabljajte mehanskih naprav ali pospeševalnikov odmrzovanja, razen tistih, ki jih priporoča proizvajalec.

Pred prvo uporabo: Pravilna lokacija

1. Pred prvo uporabo odstranite vso embalažo in pustite vsaj 15 cm prostega prostora okoli aparata (5 cm ob strani, 10 cm na zadnji strani aparata).

2. Hladilnik postavite na suho in dobro prezračevano mesto. Hladilnik shranjujte stran od neposredne sončne svetlobe, grelnikov in korozivnih plinov.

OPOMBA: Ker delovanje naprave temelji na delovanju kompresorja, je okoli naprave potrebnega dovolj prostora, da se omogoči ustrezno prezračevanje.

OPOMBA: Če tla niso gladka, naprave ni priporočljivo premikati. Hladilnika ne uporabljajte, če je nagnjen. Če hladilnik vlečete na mesto, ki ga boste uporabljali, ga postavite pokonci in počakajte 10 minut, preden ga začnete uporabljati. Pri premikanju hladilnika vedno uporabljajte oba ročaja, da enoto prenesete čim bolj vodoravno. To je namenjeno zaščiti kompresorja in zaprtega sistema

OPOZORILO: Za premikanje in rokovanje s to napravo uporabljajte vsaj dve osebi. Neupoštevanje tega opozorila lahko povzroči poškodbe hrbta ali druge poškodbe.

3. Če je mogoče, prenosni hladilnik shranjujte stran od vročine in neposredne sončne svetlobe.

4. Prenosni hladilnik je primeren za uporabo v avtomobilu in v kampu, vendar naprava ne sme biti izpostavljena dežju ali drugim težkim vremenskim razmeram.

5. Prenosnega hladilnika ne smete postaviti v vgradni ali vgradni prostor. Naprava je zasnovana tako, da je prosto

stoječa.

6. Normalno delovanje hladilnika je odvisno od toplotnega sevanja iz kondenzatorja.

7. Notranjo površino očistite z malo mlačne vode in mehko krpo.

Opomba: Pri priključevanju napajalnega kabla za enosmerni tok se prepričajte, da je na vhodu vir napajanja 12 V ~ DC / 24 V.

POMEMBNO: S prenosnega avtomobilskega hladilnika ne odstranjujte nobenih opozorilnih, previdnostnih ali informacijskih nalepk o izdelku.

OPIS NAPRAVE Prenosni hladilnik - Slika A

1. Podstavek 2. Vtičnica

3. Nosilec 4. Okvir

5. Pokrov 6. Nadzorna plošča

7. Napajalni kabel za enosmerni tok - za uporabo na potovanjih, priključite neposredno v avtomobilski vžigalnik cigaret

Upravljalna plošča - Slika B

A - gumb za vklop/izklop

B - gumb SET

C - indikator napajanja

D - indikator napake

E - LCD zaslon

F - gumb "+"

G - gumb "-"

DELOVANJE

- Ko poskušate prenosni hladilnik priključiti na standardno 12-voltno vtičnico, naprava ne bo delovala, če je napetost v vtičnici nižja od 9,6 V. Enota se bo ponovno zagnala, ko bo napetost dosegla 12,2 V ali več.

- Ko poskušate napravo priključiti na standardno 24-voltno vtičnico, naprava ne bo delovala, če ima vtičnica napetost nižjo od 21,3 V. Naprava se ponovno zažene, ko napetost doseže 25,2 V ali več.

- Napravo lahko priključite tudi na omrežno napetost 230 V ~50/60 Hz, če uporabljate zunanji napajalnik (ni priložen). Priporočeni model napajalnika AC/DC je CR8076.1.

Upravljalna plošča (7) - Slika B

Vaš prenosni hladilnik za nastavitve termostata uporablja digitalni nadzorni sistem.

* Gumb za vklop (A) - VKLJUČITE. / OFF.

1. Hladilnik priključite na vir napajanja in enkrat pritisnite gumb za vklop (A), da napravo vklopite.

2. Če ponovno pritisnete gumb za vklop (A), se hladilnik izklopi.

* Gumb SET :

Dolgo pritisnite gumb SET za 3 sekunde in vstopite v napredne načine:

NAPETOSTNA ZAŠČITA:

Naprava ima tri funkcije zaščite baterije, ki varujejo normalno delovanje hladilnika in ščitijo baterijo vozila.

Te tri stopnje zaščite akumulatorja:

H3 - visoka stopnja zaščite

za 12 V: ustavi se pri 10,9 V in začne pri 12,2 V.

za 24 V: ustavi se pri 23,8 V in začne pri 25,2 V.

H2 - srednja stopnja zaščite

za 12 V: ustavi se pri 9,7 V in začne pri 11,0 V.

za 24 V: ustavi se pri 21,5 V in začne pri 22,9 V.

H1 - nizka stopnja zaščite:

za 12 V: ustavi se pri 9,6 V in začne pri 10,9 V.

za 24 V: ustavi se pri 21,3 V in začne pri 22,7 V.

Za izbiro funkcije na kratko pritisnite gumb "+" ali "-". Ko je hladilnik pripravljen za prvo uporabo, je funkcija

nastavljena na srednjo stopnjo zaščite "H2".

OPOMBA: V PRIMERU, DA JE HLADILNIK VKLOPLJEN, JE TREBA VKLOPITI FUNKCIJO "HLADILNIK":

Kadar se naprava uporablja v avtomobilu, je priporočljivo nastaviti zaščito baterije na H2 (srednja raven).

Če gre za zunanjo baterijo ali rezervno baterijo, je priporočljivo zaščito baterije nastaviti na H2 (srednja raven) ali H1 (nizka raven).

Zaradi razlike v izhodni napetosti iz različnih izhodov napajalnika vozila lahko v primeru zaščite pred napetostjo (na LCD-zaslonu se prikaže F1) funkcijo akumulatorja zmanjšate na nižjo (H3 se preklopi na H2 ali H1).

* Gumb "+" (F) se uporablja za povečanje temperature ali drugih zgoraj opisanih nastavitvev.

* Gumb "-" (G) se uporablja za zmanjšanje temperature ali drugih zgoraj opisanih nastavitvev.

* Indikator napajanja (C):

- Ko je hladilnik vklopljen, je indikator rdeče barve.

- Ko hladilnik izklopite, lučka ugasne.

* Indikator napake (D):

- V primeru napake bo zvočni signal neprekinjeno zvonil.

- Na zaslonu se prikažejo kode napak.

- Indikator napak (D) se prižge v modri barvi.

* LCD zaslon (E): prikazuje

- Prikazuje temperaturo in druge nastavitve.

- Na zaslonu se lahko prikažejo kode napak, kot je prikazano spodaj:

F1: Napetostna napaka

F2: Napaka toka ventilatorja

F3: Napaka pri zagonu kompresorja

F4: Napaka najmanjše hitrosti kompresorja

F5: Napaka temperature krmilnika

E0: prekinjen tokokrog senzorja

E1: Kratek stik senzorja

Na LCD-zaslonu lahko nastavite temperaturo od -20 °C do +20 °C. Dejansko dosežena temperatura v enoti je odvisna od zunanjih pogojev. Na primer, pri zunanji temperaturi +25 °C je najnižja dosežena temperatura v enoti -20 °C. Enota nima funkcije ogrevanja.

OPOMBA: Če sistem deluje nepravilno, najprej preverite, ali je napetost baterije pravilna. Če je napetost baterije pravilna, počakajte 3 minute, preden vklopite hladilnik. Če sistem po ponovnem vklopu naprave še vedno deluje nepravilno, se za pomoč obrnite na servisno službo.

Običajne nastavitve temperature za shranjevanje:

- Vino (+ 6 °C do + 18 °C)

- Cepiva, inzulin (od + 2 °C do - 8 °C)

- Sadje (od 4 °C do - 6 °C)

- Pijače (od 2 °C do - 5 °C)

- Meso (-10 °C)

- Sladoled (-15 °C)

Bodite previdni, če želite v hladilniku shranjevati zdravila. Preden hrano položite v hladilnik, jo zapakirajte v za to namenjene posode/vrečke.

ČIŠČENJE IN VZDRŽEVANJE

Pred čiščenjem napravo vedno izklopite iz električnega omrežja.

Čistite z mehko in suho krpo z blagimi čistilnimi sredstvi. Ne uporabljajte kemičnih topil, saj lahko povzročijo trajne poškodbe ali deformacije naprave.

ODPRAVLJANJE TEŽAV

Za odpravljanje pogostih težav sledite spodnjemu vodniku za odpravljanje težav.

Težava I: Enota sploh ne deluje in ne kaže znakov napajanja.

Možen vzrok 1: Naprava ni napajana.

Rešitev možnega vzroka 1: Prepričajte se, da je naprava priključena.

Možni vzrok 2: Nezaodstno napajanje.

Rešitev možnega vzroka 2: Napravo prestavite v drugo vtičnico. Preverite odklopnik električnega tokokroga. (Za določitev porabe električnega toka glejte tablico z nazivnimi podatki na zadnji strani aparata).

Možni vzrok 3: napajalni kabel za enosmerni tok

Rešitev za možni vzrok 4: Preizkusite napravo z drugim napajalnikom, npr. z drugim vozilom z znano delujočo vtičnico za enosmerni tok.

Možni vzrok 4: Odklopljeni kabli.

Rešitev za možni vzrok 5: Obrnite se na službo za pomoč strankam.

Težava II: Naprava povzroča čudne zvoke.

Možni vzrok 1: Naprava ni ravna.

Rešitev 1: Napravo prestavite na ravno in vodoravno površino.

Težava III: Naprava oddaja glasen, neprekinjen kovinski zvok tapkanja.

Možni vzrok 1: Naprava je bila morda poslana na bok.

Rešitev 1: Izklpite enoto. Enoto pustite na ravni površini vsaj 24 ur in jo ponovno zaženite.

Možni vzrok 2: Pokvarjen kompresor

Rešitev 2: Obrnite se na službo za pomoč strankam.

Težava IV: Naprava nekaj časa deluje, nato pa se sproži napajalni kabel ali odklopnik.

Možen vzrok: Naprava je morda priključena v vtičnico, ki ne zagotavlja zadostnega napajanja.

Rešitev: Obrnite se na električarja, če naprava deluje v drugem prostoru ali tokokrogu.

Težava V: Luči na nadzorni plošči naključno utripajo.

Možen vzrok: Naprava ima morda okvarjeno nadzorno ploščo.

Rešitev: Ponovno zaženite napravo in če se težava ne odpravi, se obrnite na službo za pomoč uporabnikom.

Težava VI: V napravi se je pojavila napaka HH

Možen vzrok: Temperatura okolice je preseгла 40 °C.

Rešitev: Ponovno zaženite napravo in če se težava nadaljuje, se obrnite na službo za pomoč uporabnikom.

Težava VII: V napravi se je pojavila napaka OC.

Možen vzrok: Zaznana je bila napaka termostata.

Rešitev: Ponovno zaženite enoto in če se težava nadaljuje, se obrnite na službo za pomoč uporabnikom.

Težava VIII: V napravi se je pojavila napaka S.C.

Možen vzrok: V termostatu je bil zaznan kratek stik.

Rešitev: Ponovno zaženite napravo in če se težava ne odpravi, se obrnite na službo za pomoč uporabnikom.

Težava IX: Naprava je napajana, vendar kompresor ne deluje.

Možen vzrok 1: Temperatura okolja je prenizka.

Rešitev 1: Prestavite enoto na toplejše mesto.

Možni vzrok 2: Odklopljen kabel.

Rešitev 2: Obrnite se na službo za pomoč strankam.

PREVIDNOST: NEVARNOST POŽARA / VNETHLJIV MATERIAL



TEHNIČNI PODATKI

Zmogljivost: 40 litrov

Napajanje:

- 12V / 24V DC - vtičnica za cigaretni vžigalnik

- 230V ~50/60Hz - omrežna vtičnica po uporabi zunanjšega napajalnika (ni priložen)

Hladivo: R600a / 40g

Podnebni razred: S / SN

Izolacija: C5H10

Nazivna poraba električne energije: 45W

Največji nazivni tok: 3,7 A

Zaradi varovanja okolja. Kartonsko embalažo in polietilenske (PE) vrečke odlagajte v ustrezne zabojnike za ločeno zbiranje komunalnih odpadkov v skladu z njihovim opisom. Če so v napravi baterije, jih je treba odstraniti in ločeno odložiti v zbirnem in skladiščnem centru. Uporabljeno napravo je treba odpeljati v ustrezen zbirni in skladiščni center, saj lahko nevarne snovi, ki jih vsebuje, predstavljajo tveganje za zdravje in okolje. Oznaka na izdelku označuje, da naprave ne smete odlagati v zabojnik za komunalne odpadke. Odpadna električna oprema je odpadke, ki vsebuje snovi, ki so škodljive za ljudi, živali in okolje. Te snovi lahko onesnažijo tla, vodo ali zrak, prek tega pa lahko vstopijo v človeško telo in povzročijo številne zdravstvene težave, kot so motnje vida, sluha, govora, poškodujejo lahko tudi ledvice, jetra in srce ter povzročijo kožne bolezni. Škodljive snovi lahko škodljivo vplivajo tudi na dihalni in reproduktivni sistem ter povzročijo rakave spremembe. Uživanje rastlin, ki rastejo na prizadetih tleh, in izdelkov, izdelanih iz njih, lahko povzroči zgoraj navedene učinke na zdravje. **Opreme ne odlagajte v zabojnik za komunalne odpadke!**

Servis Če želite kupiti nadomestne dele ali imate kakršne koli pritožbe, se obrnite na se obrnite neposredno na prodajalca, ki je izdal potrdilo o nakupu.



Käyttöohje (FI)

YLEISET TURVALLISUUSEHDOT TÄRKEITÄ TURVALLISUUSOHJEITA KÄYTTÖÄ VARTEN LUE HUOLELLISESTI JA SÄILYÄ MYÖHEMPÄÄ KÄYTTÖÄ VARTEN

1. Lue käyttöohjeet ennen laitteen käyttöä ja noudata niissä annettuja ohjeita. Valmistaja ei vastaa vahingoista, jotka aiheutuvat laitteen muusta kuin käyttötarkoituksen mukaisesta käytöstä tai epäasianmukaisesta käsittelystä.
2. Laite on tarkoitettu vain ei-kaupalliseen käyttöön. Älä käytä muuhun tarkoitukseen, joka ei ole yhteensopiva sen käyttötarkoituksen kanssa.
3. Laite on kytkettävä tarpeen mukaan auton "tupakansytytin"-pistorasiaan, jossa on 12V tai 24V, tai verkkopistorasiaan 220-240 V ~ 50-60 Hz. (Valitse laitteen tyypistä riippuen sopiva virtalähteen parametri).
Käyttöturvallisuuden lisäämiseksi useita sähkölaitteita ei saa kytkeä samaan virtapiiriin samanaikaisesti.
4. Ole erityisen varovainen, kun käytät laitetta lasten läsnä ollessa. Älä anna lasten leikkiä laitteella älä anna lasten tai sellaisten henkilöiden, jotka eivät tunne laitetta, käyttää laitetta.
5. VAROITUS: Tätä laitetta voivat käyttää yli 8-vuotiaat lapset ja henkilöt, joilla on heikentyneet fyysiset, sensoriset tai henkiset kyvyt, tai henkilöt, joilla ei ole kokemusta tai tietämystä laitteesta, jos tämä tapahtuu heidän turvallisuudestaan vastaavan henkilön valvonnassa tai jos heille on annettu ohjeet laitteen turvallisesta käytöstä ja he ovat tietoisia laitteen käyttöön liittyvistä vaaroista. Lapset eivät saa leikkiä laitteilla. Lapset eivät saa suorittaa

laitteiden puhdistusta ja huoltoa, elleivät he ole yli 8-vuotiaita ja ellei toimintaa suoriteta valvonnan alaisena.

6. Irrota pistoke pistorasiasta aina käytön jälkeen pitämällä pistorasiasta kiinni kädelläsi. ÄLÄ vedä verkkojohdosta.

7. ÄLÄ upota johtoa, pistoketta tai koko laitetta veteen tai muuhun nesteeseen. Älä altista laitetta sääolosuhteille (sade, aurinko jne.) tai käytä sitä kosteissa olosuhteissa (kylpyhuoneet, kosteat asuntoautot).

8. Tarkista virtajohtojen kunto säännöllisesti. Jos virtajohto on vaurioitunut, se on vaarojen välttämiseksi vaihdettava erikoiskorjaajan toimesta.

9. Älä käytä laitetta vaurioituneella virtajohdolla tai jos se on pudonnut tai vahingoittunut muulla tavoin tai jos se ei toimi kunnolla. Älä korjaa laitetta itse, sillä sähköiskun vaara on olemassa. Vie vaurioitunut laite asiantuntevaan huoltoliikkeeseen tarkastettavaksi tai korjattavaksi. Mahdolliset korjaukset saavat suorittaa vain valtuutetut huoltokeskukset. Virheellinen korjaus voi aiheuttaa vakavan vaaran käyttäjälle.

10. Aseta laite viileälle, vakaalle ja tasaiselle alustalle, joka kestää laitteen ja sen koko sisällön painon, pois kuumien keittiökoneiden, kuten: sähköliesi, kaasupoltin jne. läheltä.....

11. Älä käytä laitetta syttyvien materiaalien lähellä.

12. Virtajohto ei saa roikkua pöydän reunan yli tai koskettaa kuumia pintoja.

13. Lisäsuojan vuoksi on suositeltavaa asentaa sähköpiiriin vikavirtasuojakytkin, jonka nimellinen vikavirta on enintään 30 mA.

Asiantuntevaa sähköasentajaa on kuultava tässä asiassa.

14. Älä käytä laitetta, jos liitäntäpistorasiat ovat märkiä.

15. Kun käytät laitetta autossa tai veneessä, tarkista, että virransyöttöjärjestelmää suojaava sulake on toiminnassa.

16. Suojaa laite lämmönlähteiltä ja auringonvalolta.

17. Aseta jo jäädytetyt tuotteet laitteeseen.

18. Sijoita yksikkö asianmukaisesti tuuletettuun tilaan. Etäisyyden muista esineistä tulisi olla vähintään 20 cm.

19. VAROITUS: Älä tuki laitteen kotelon tuuletusaukkoja.

20. VAROITUS: Suojaa kylmäainetta sisältävä piiri vaurioilta.

21. VAROITUS: Älä käytä tai säilytä sähkölaitteita elintarvikesäilytysosaston sisällä.

22. VAROITUS: Luukun avaaminen pidemmäksi aikaa voi aiheuttaa huomattavan lämpötilan nousun laiteosastoissa.

23. VAROITUS: Puhdista säännöllisesti pinnat, jotka voivat joutua kosketuksiin elintarvikkeiden kanssa.

24. VAROITUS: Säilytä raakaa lihaa ja kalaa niille tarkoitetuissa astioissa, jotta tuotteet eivät joudu kosketuksiin toistensa kanssa ja jotta ne eivät pääse valumaan muiden elintarvikkeiden päälle.
25. VAROITUS: Jos kylmälaite pysyy tyhjänä pidemmän aikaa, sammuta se, sulata, puhdista, kuivaa ja jätä ovi auki, jotta laitteeseen ei muodostu homeetta.
26. VAROITUS: Älä säilytä räjähdysalttiita materiaaleja, kuten syttyvää aerosolia sisältäviä tölkkejä jne. jääkaapin sisällä.
27. VAROITUS: Varmista laitetta asentaessasi, että virtajohto ei jääkaapin puristuksiin tai vahingoitu.
28. VAROITUS: Älä aseta jatkojohtoja tai kannettavia virtalähteitä laitteen lähelle tai taakse.
29. VAROITUS: Älä käytä muita kuin valmistajan suosittelemia mekaanisia laitteita tai sulatuksen nopeuttajia.

Ennen ensimmäistä käyttöä: Oikea sijainti

1. Ennen ensimmäistä käyttöä poista kaikki pakkaukset ja jätä vähintään 15 cm vapaata tilaa laitteen ympärille (5 cm laitteen sivulle, 10 cm laitteen taakse).

2. Sijoita jääkaappi kuivaan ja hyvin ilmastoituun paikkaan. Säilytä jääkaappi kaukana suorasta auringonvalosta, lämmittimistä ja syövyttävistä kaasuisista.

HUOMAUTUS: Koska laitteen toiminta perustuu kompressoriin, laitteen ympärillä on oltava runsaasti tilaa, jotta laitteen ilmanvaihto on asianmukainen.

HUOMAUTUS: Laitetta ei suositella siirrettäväksi, jos lattia ei ole sileä. Älä käytä, jos jääkaappi on kallellaan. Jos jääkaappi raahataan käyttöpaikalle, aseta se pystyyn ja odota 10 minuuttia ennen käyttöä. Kun siirrät jääkaappia, käytä aina molempia kahvoja, jotta voit kuljettaa laitetta mahdollisimman vaaka-suorassa. Näin suojaat kompressoria ja tiivistä järjestelmää

VAROITUS: Käytä vähintään kahta henkilöä tämän laitteen siirtämiseen ja käsittelyyn. Tämän varoituksen huomiotta jättäminen voi aiheuttaa selkä- tai muita vammoja.

3. Jos mahdollista, säilytä kannettava jääkaappi kaukana lämmöstä ja suorasta auringonvalosta.

4. Kannettava jääkaappi soveltuu käytettäväksi autossa ja leirintäalueella, mutta laitetta ei saa altistaa sateelle tai muille ankarille sääolosuhteille.

5. Kannettava jääkaappi ei saa sijoittaa sisäänrakennettuun tai upotettuun tilaan. Laite on suunniteltu vapaasti seisovaksi.

6. Jääkaapin normaali toiminta riippuu lauhduttimen lämpösäteilystä.

7. Puhdista sisäpinta hieman haalealla vedellä ja pehmeällä liinalla.

Huomautus: Kun kytket tasavirtajohdon, varmista, että tulo on 12 V ~ DC / 24 V virtalähde.

TÄRKEÄÄ: Älä poista kannettavasta autojääkaapista varoitus-, varoitus- tai tuotetietokilpiä.

LAITTEEN KUVAUS Kannettava jääkaappi - Kuva A

1. Jalusta 2. Pistorasia

3. Pidike 4. Runko

5. Kansi 6. Ohjauspaneeli

7. DC-virtajohto - käytettäväksi matkoilla, kytketään suoraan auton tupakansytyttimeen

OHJAUSPANEELI - Kuva B

A - ON/OFF-virtapainike

B - SET-painike

C - Virran merkkivalo

D - Virheilmaisain

E - LCD-näyttö

F - "+"-painike

G - "-"-painike

TOIMINTA

- Kun kannettava jääkaappi yritetään kytkeä tavalliseen 12 V:n pistorasiaan, laite ei toimi, jos pistorasian jännite on alle 9,6 V. Laite käynnistyy uudelleen, kun jännite on vähintään 12,2 V.
- Kun laite yritetään kytkeä tavalliseen 24 voltin pistorasiaan, laite ei toimi, jos pistorasian jännite on alle 21,3 voltia. Laite käynnistyy uudelleen, kun jännite on vähintään 25,2 V.
- Laite voidaan kytkeä myös 230V ~50/60Hz verkkovirtaan, kun käytetään ulkoista virtalähdettä (ei sisälly toimitukseen). Suositeltu AC/DC-verkkovirtalähdemalli on CR8076.1.

OHJAUSPANEELI (7) - kuva B

Kannettava jääkaappi käyttää digitaalista ohjausjärjestelmää termostaatin säätämiseen.

* Virtapainike (A) - ON. / OFF.

1. Kytke jääkaappi virtalähteeseen, paina virtapainiketta (A) kerran kytkeäksesi laitteen päälle.
2. Paina virtapainiketta (A) uudelleen, jääkaappi kytkeytyy pois päältä.

* SET-painike :

Paina SET-painiketta pitkään 3 sekunnin ajan ja siirry lisätiloihin:

JÄNNITESUOJATILA:

Laitteessa on kolme akun suojaustoimintoa, jotka suojaavat jääkaappin normaalia toimintaa ja suojaavat ajoneuvon akkua.

Nämä kolme akun suojaustasoa:

H3 - korkea suojaustaso

12 V: pysähtyy 10,9 V:n jännitteellä ja käynnistyy 12,2 V:n jännitteellä.

24 V: pysähtyy 23,8 V:ssa ja käynnistyy 25,2 V:ssa.

H2 - keskiuuri suojaustaso

12 V: pysähtyy 9,7 V:ssa ja käynnistyy 11,0 V:ssa.

24 V: pysähtyy 21,5 V:ssa ja käynnistyy 22,9 V:ssa.

H1 - alhainen suojaustaso:

12 V: pysähtyy 9,6 V:ssa ja käynnistyy 10,9 V:ssa.

24 V: pysähtyy 21,3 V:ssa ja käynnistyy 22,7 V:ssa.

Paina lyhyesti "+" tai "-"-painiketta toiminnon valitsemiseksi. Toiminto asetetaan keskiuojatasolle "H2", kun jääkaappi on valmis ensimmäistä käyttökertaa varten.

HUOM:

On suositeltavaa asettaa akun suojaustasoksi H2 (keskitaso), kun laitetta käytetään autossa.

On suositeltavaa asettaa akun suojaus arvoon H2 (keskitaso) tai H1 (matala taso), jos kyseessä on ulkoinen akku tai vara-akku.

Ajoneuvon virtalähteen eri lähtöjen lähtöjännite-eron vuoksi, jos käytössä on jännitesuojaus (LCD-näytössä näkyy F1), akkutoiminto voidaan pienentää pienemmälle tasolle (H3 kytketään arvoon H2 tai H1).

* +-painiketta (F) käytetään lämpötilan tai muiden edellä kuvattujen asetusten nostamiseen.

* "-"-painiketta (G) käytetään lämpötilan tai muiden edellä kuvattujen asetusten alentamiseen.

* Virran merkkivalo (C):

- Kun jääkaappi on kytketty päälle, merkkivalo palaa punaisena.
- Kun jääkaappi kytketään pois päältä, merkkivalo sammuu.

* Vian merkkivalo (D):

- Häiriötilanteessa sumneri soi jatkuvasti.
- Vikakoodit näkyvät näytössä.
- Vian merkkivalo (D) palaa sinisenä.

* LCD-näyttö (E): näyttää

- Näyttää lämpötilan ja muut asetukset.

- Näytössä voi näkyä vikakoodeja, kuten alla:

F1: Jännitevika

F2: Tuulettimen virtavika

F3: Kompressorin käynnistysvika

F4: Vika kompressorin vähimmäisnopeudessa

F5: Säätimen lämpötilavika

E0: anturipiiri on katkennut

E1: Anturin oikosulku

LCD-näytön avulla lämpötila voidaan asettaa -20 °C ja +20 °C välille. Todellinen saavutettu lämpötila yksikön sisällä riippuu ulkoisista olosuhteista. Esimerkiksi ympäristön lämpötilan ollessa +25 °C alin saavutettu lämpötila yksikön sisällä on -20 °C. Yksikössä ei ole lämmitystoimintaa.

HUOMAUTUS: Jos järjestelmässä ilmenee toimintahäiriöitä, tarkista ensin, että akun jännite on oikea. Jos paristojännite on oikea, odota 3 minuuttia ennen kuin kytket jääkaapin päälle. Jos järjestelmässä on edelleen toimintahäiriöitä laitteen uudelleenkäynnistämisen jälkeen, ota yhteys huoltoon.

Yleiset lämpötila-asetukset säilytystä varten:

- Viini (+ 6 °C - +18 °C)

- Rokotteet, insuliini (+ 2 °C - - 8 °C)

- Hedelmät (4 °C - - 6 °C)

- Juomat (2 °C - - 5 °C)

- Liha (-10 °C)

- Jäätelö (-15 °C)

Ole varovainen, jos haluat säilyttää lääkkeitä jääkaapissa. Pakkaa ruoka tähän tarkoitukseen tarkoitettuihin astioihin / pusseihin ennen kuin laitat sen laitteeseen.

PUHDISTUS JA HUOLTO

Irrota laite aina pistorasiasta ennen puhdistusta.

Puhdista pehmeällä, kuivalla liinalla käyttäen mietoja pesuaineita. Älä käytä kemiallisia liuottimia, sillä ne voivat aiheuttaa laitteeseen pysyviä vaurioita tai muodonmuutoksia.

VIANMÄÄRITYS

Noudata alla olevaa vianmääritysoopasta yleisten ongelmien ratkaisemiseksi.

Ongelma I: Laite ei toimi lainkaan, eikä siinä näy virran merkkejä.

Mahdollinen syy 1: Laitteeseen ei ole kytketty virtaa.

Ratkaisu mahdolliseen syyhyyn 1: Varmista, että laite on kytketty.

Mahdollinen syy 2: Virta ei riitä.

Ratkaisu mahdolliseen syyhyyn 2: Siirrä laite toiseen pistorasiaan. Tarkista virtapiirin katkaisija. (Katso laitteen takana olevasta arvokilvestä virrankulutus).

Mahdollinen syy 3: Tasavirtajohto

Ratkaisu mahdolliseen syyhyyn 4: Testaa laite toisella virtalähteellä, esim. toisessa ajoneuvossa, jossa on tunnetusti toimiva DC-pistorasia.

Mahdollinen syy 4: Irronneet johdot.

Ratkaisu mahdolliseen syyhyyn 5: Ota yhteys asiakaspalveluun.

Ongelma II: Laite pitää outoja ääniä.

Mahdollinen syy 1: Laite ei ole vaakatasossa.

Ratkaisu 1: Siirrä laite tasaiselle, tasaiselle pinnalle.

Ongelma III: Laitteesta kuuluu äänekäs, jatkuva metallinen koputusääni.

Mahdollinen syy 1: Laite on ehkä lähetetty kyljelleen.

Ratkaisu 1: Kytke laite pois päältä. Jätä laite tasaiselle alustalle vähintään 24 tunniksi ja käynnistä se uudelleen.

Mahdollinen syy 2: Viallinen kompressori

Ratkaisu 2: Ota yhteyttä asiakaspalveluun.

Ongelma IV: Laite käy jonkin aikaa ja laukeaa sitten virtajohdon tai katkaisijan kautta.

Mahdollinen syy: Laite on ehkä kytketty pistorasiaan, josta ei saa riittävästi virtaa.

Ratkaisu: Ota yhteys sähköasentajaan, jos laite toimii toisessa huoneessa tai virtapiirissä.

Ongelma V: Ohjauspaneelin valot vilkkuvat satunnaisesti.

Mahdollinen syy: Laitteessa voi olla viallinen ohjauspaneeli.
Ratkaisu: Käynnistä laite uudelleen, ja jos ongelma jatkuu, ota yhteys asiakaspalveluun.

Ongelma VI: Laitteessa on ilmennyt HH-virhe
Mahdollinen syy: Ympäristön lämpötila ylitti 40 °C.

Ratkaisu: Käynnistä laite uudelleen ja jos ongelma jatkuu, ota yhteys asiakaspalveluun.

Ongelma VII: Laitteessa on tapahtunut OC-virhe.

Mahdollinen syy: On havaittu termostaattivirhe.

Ratkaisu: Käynnistä yksikkö uudelleen, ja jos ongelma jatkuu, ota yhteys asiakaspalveluun.

Ongelma VIII: Laitteessa on ilmennyt S.C.-virhe.

Mahdollinen syy: Termostaatissa havaittiin oikosulku.

Ratkaisu: Käynnistä laite uudelleen ja jos ongelma jatkuu, ota yhteys asiakaspalveluun.

Ongelma IX: Laitteeseen on kytketty virta, mutta kompressori ei toimi.

Mahdollinen syy 1: Ympäristön lämpötila on liian alhainen.

Ratkaisu 1: Siirrä yksikkö lämpimämpään paikkaan.

Mahdollinen syy 2: Kaapeli on irrotettu.

Ratkaisu 2: Ota yhteys asiakaspalveluun.

VAROITUS: PALOVAARA / SYTTYVÄ MATERIAALI



TEKNISET TIEDOT

Tilavuus: 40 litraa

Virtalähde:

- DC 12V / 24V - tupakansytytinliitäntä

- 230V ~50/60Hz - verkkopistorasia ulkoisen virtalähteen käytön jälkeen (ei sisälly toimitukseen)

Kylmäaine: R600a / 40g

Ilmastoluokka: S / SN

Eristys: C5H10

Nimellisvirrankulutus: 45W

Suurin nimellisvirta: 3,7A

Ympäristön suojelemiseksi. Pahvipakkaukset ja polyeteenipussit (PE) on hävitettävä asianmukaisiin astioihin yhdyskuntajätteen erilliskeräystä varten niiden kuvauksen mukaisesti. Jos laitteessa on paristoja, ne on poistettava ja hävitettävä erikseen keräys- ja varastointilaitoksessa. Käytetty laite on vietävä sopivaan keräys- ja varastointilaitokseen, sillä sen sisältämät vaaralliset aineet voivat aiheuttaa riskin terveydelle ja ympäristölle. Tuotteessa oleva merkintä osoittaa, että laitetta ei saa hävittää yhdyskuntajäteastiaan. Sähkölaiteromu on jätettä, joka sisältää ihmisille, eläimille ja ympäristölle haitallisia aineita. Nämä aineet voivat saastuttaa maaperää, vettä tai ilmaa, ja tätä kautta ne voivat joutua ihmiskehoon ja aiheuttaa useita terveysongelmia, kuten näkö-, kuulo- ja puhehäiriöitä, voivat myös vahingoittaa munuaisia, maksaa ja sydäntä sekä aiheuttaa ihosairauksia. Haitallisilla aineilla voi olla myös haitallisia vaikutuksia hengitys- ja lisääntymisjärjestelmiin ja ne voivat johtaa syöpämuutoksiin. Vaurioituneella maaperällä kasvavien kasvien ja niistä valmistettujen tuotteiden nauttiminen voi aiheuttaa edellä mainittuja terveysvaikutuksia. **Älä hävitä laitetta yhdyskuntajäteastiaan!**

Huolto Jos haluat hankkia varaosia tai sinulla on valituksia, ota yhteyttä osoitteeseen ota yhteyttä suoraan kuitenkin antaneeseen jälleenmyyjään.

Instrukcja obsługi (PL)

OGÓLNE WARUNKI BEZPIECZEŃSTWA
WAŻNE INSTRUKCJE DOTYCZĄCE BEZPIECZEŃSTWA
UŻYTKOWANIA
PRZECZYTAJ UWAŻNIE I ZACHOWAJ NA PRZYSZŁOŚĆ

1. Przed rozpoczęciem użytkowania urządzenia przeczytać instrukcję obsługi i postępować według wskazówek w niej zawartych. Producent nie odpowiada za szkody spowodowane użytkowaniem urządzenia niezgodnie z jego przeznaczeniem lub niewłaściwą jego obsługą.

2. Urządzenie służy wyłącznie do użytku niekomercyjnego. Nie używać do innych celów, niezgodnych z jego przeznaczeniem.

3. Urządzenie należy podłączyć w zależności od potrzeby do gniazdka „zapalniczki” w samochodzie z napięciem 12V lub 24V, albo do gniazdka sieciowego 220-240 V ~ 50-60 Hz. (w zależności od rodzaju urządzenia, należy wybrać odpowiedni parametr zasilania).

W celu zwiększenia bezpieczeństwa użytkowania do jednego obwodu prądu nie należy równocześnie włączać wielu urządzeń elektrycznych.

4. Należy zachować szczególną ostrożność podczas korzystania z urządzenia, gdy w pobliżu przebywają dzieci. Nie należy dopuszczać dzieci do zabawy urządzeniem nie pozwól dzieciom ani osobom nie zaznajomionym z urządzeniem na jego użytkowanie.

5. **OSTRZEŻENIE:** Niniejszy sprzęt może być użytkowany przez dzieci powyżej 8 roku życia oraz osoby o ograniczonej zdolności fizycznej, czuciowej lub psychicznej, lub osoby nie mające doświadczenia lub znajomości sprzętu, jeśli odbywa się to pod nadzorem osoby odpowiadającej za ich bezpieczeństwo lub zostały im udzielone wskazówki na temat bezpiecznego użytkowania urządzenia i mają świadomość niebezpieczeństwa związanego z jego użytkowaniem. Dzieci nie powinny bawić się sprzętem. Czyszczenie i konserwacja urządzenia nie powinna być wykonywana przez dzieci, chyba że są powyżej 8 roku życia a czynności te są wykonywane pod nadzorem.

6. Zawsze po zakończeniu używania, wyjmij wtyczkę z gniazda zasilającego poprzez przytrzymanie gniazdka ręką. **NIE** ciągnąć za sznur sieciowy.

7. Nie zanurzać kabla, wtyczki oraz całego urządzenia w wodzie lub innej cieczy. Nie wystawiaj urządzenia na działanie warunków atmosferycznych (deszczu, słońca, etc.) ani nie używaj w warunkach podwyższonej wilgotności (łazienki, wilgotne domki kempingowe).

8. Okresowo sprawdzaj stan przewodu zasilającego. Jeżeli przewód zasilający

jest uszkodzony, to powinien on być wymieniony przez specjalistyczny zakład naprawczy w celu uniknięcia zagrożenia.

9. Nie używaj urządzenia z uszkodzonym przewodem zasilającym lub jeśli zostało upuszczone lub uszkodzone w jakikolwiek inny sposób lub nieprawidłowo pracuje. Nie naprawiaj urządzenia samodzielnie, gdyż grozi to porażeniem. Uszkodzone urządzenie oddaj do właściwego punktu serwisowego w celu sprawdzenia lub dokonania naprawy. Wszelkich napraw mogą dokonywać wyłącznie uprawnione punkty serwisowe. Nieprawidłowo wykonana naprawa może spowodować poważne zagrożenie dla użytkownika.
10. Należy stawiać urządzenie na chłodnej stabilnej, równej powierzchni, która wytrzyma ciężar urządzenia i całej jego zawartości, z dala od nagrzewających się urządzeń kuchennych jak: kuchenka elektryczna, palnik gazowy, itp...
11. Nie korzystać z urządzenia w pobliżu materiałów łatwopalnych.
12. Przewód zasilania nie może zwisać poza krawędź stołu lub dotykać gorących powierzchni.
13. Do zapewnienia dodatkowej ochrony, wskazane jest zainstalowanie w obwodzie elektrycznym, urządzenia różnicowoprądowego (RCD) o znamionowym prądzie różnicowym nie przekraczającym 30 mA. W tym zakresie należy zwrócić się do specjalisty elektryka.
14. Nie używać urządzenia jeśli gniazda połączeniowe są mokre.
15. Podczas używania urządzenia w samochodzie lub na łodzi, należy sprawdzić czy bezpiecznik zabezpieczający układ zasilania jest sprawny.
16. Chronić urządzenie przed źródłami ciepła i nasłonecznieniem.
17. Do urządzenia wkładać już schłodzone produkty.
18. Umieścić urządzenie w miejscu w prawidłową wentylacją. Odległość od innych obiektów powinna wynosić co najmniej 20 cm.
19. **OSTRZEŻENIE:** Nie zasłaniać otworów wentylacyjnych w obudowie urządzenia.
20. **OSTRZEŻENIE:** Chronić przed uszkodzeniem obwód zawierający czynnik chłodzący.
21. **OSTRZEŻENIE:** Wewnątrz komory do przechowywania produktów żywnościowych nie używać i nie przechowywać sprzętu elektrycznego.
22. **OSTRZEŻENIE:** Otwarcie drzwiczek na dłuższy czas, może spowodować znaczny wzrost temperatury w komorach urządzenia.
23. **OSTRZEŻENIE:** Należy regularnie czyścić powierzchnie, które mogą mieć kontakt z żywnością.
24. **OSTRZEŻENIE:** Surowe mięso i ryby przechowuj w przeznaczonych do tego celu pojemnikach, tak aby produkty nie stykały się ze sobą, oraz aby nie

kapoty na inne jedzenie.

25. **OSTRZEŻENIE:** Jeśli urządzenie chłodnicze pozostaje puste przez dłuższy czas, należy je wyłączyć, rozmrozić, wyczyścić, wysuszyć i pozostawić otwarte drzwi, aby zapobiec powstawaniu pleśni w urządzeniu.

26. **OSTRZEŻENIE:** Nie przechowuj wewnątrz lodówki materiałów wybuchowych, takich jak puszki zawierające łatwopalny aerozol itp.

27. **OSTRZEŻENIE:** Podczas ustawiania urządzenia upewnij się, że przewód zasilający nie został przyciśnięty lodówką, lub uszkodzony.

28. **OSTRZEŻENIE:** Nie należy umieszczać przedłużaczy ani przenośnych zasilaczy w pobliżu urządzenia, lub za nim.

29. **OSTRZEŻENIE:** Nie należy używać urządzeń mechanicznych ani środków przyspieszających proces rozmrażania, innych niż zalecane przez producenta.

Przed pierwszym użyciem: Właściwa lokalizacja

1. Przed pierwszym użyciem należy usunąć całe opakowanie i pozostawić co najmniej 15 cm wolnej przestrzeni wokół urządzenia (5 cm z boku, 10 cm z tyłu urządzenia).

2. Umieść lodówkę w suchym i dobrze wentylowanym miejscu. Lodówkę należy przechowywać z dala od bezpośredniego światła słonecznego, grzejników i gazów korozyjnych.

UWAGA: Ponieważ działanie urządzenia jest oparte na sprężarce, wokół urządzenia wymagana jest duża przestrzeń, aby umożliwić prawidłowe odpowietrzanie.

UWAGA: Nie zaleca się przesuwania urządzenia, jeśli podłoga nie jest gładka. Nie używać, jeśli lodówka jest przechylona. Jeśli lodówka zostanie przeciągnięta w miejsce do użycia, należy ją ustawić pionowo i odczekać 10 minut przed użyciem. Podczas przenoszenia lodówki zawsze używaj obu uchwytów, aby przenieść urządzenie możliwie jak najbardziej poziomo. Ma to na celu ochronę sprężarki i uszczelnionego układu

OSTRZEŻENIE: Do przenoszenia i obsługi tego urządzenia użyj co najmniej dwóch osób. Niezastosowanie się do tego ostrzeżenia może spowodować obrażenia pleców lub inne.

3. Jeśli to możliwe, przechowuj przenośną lodówkę z dala od ciepła i bezpośredniego światła słonecznego.

4. Przenośna lodówka nadaje się do użytku w samochodzie i na kempingu, jednak urządzenie nie powinno być narażone na deszcz lub inne trudne warunki pogodowe.

5. Przenośna lodówka nie powinna być umieszczana w zabudowie lub wnęce. Urządzenie zostało zaprojektowane jako wolnostojące.

6. Normalne działanie lodówki zależy od promieniowania cieplnego ze skraplacza.

7. Wyczyść wewnętrzną powierzchnię odrobiną letniej wody i miękką szmatką.

Uwaga: Podłączając przewód zasilający DC, upewnij się, że wejście jest źródłem zasilania 12 V ~ DC / 24 V.

WAŻNE: Nie usuwaj z przenośnej lodówki samochodowej żadnych etykiet ostrzegawczych, ostrzegawczych ani informacyjnych o produkcie.

OPIS URZĄDZENIA Lodówka przenośna – Rysunek A

1. Podstawa 2. Gniazdo wtykowe

3. Uchwyt 4. Rama

5. Pokrywa 6. Panel sterowania

7. Przewód zasilający DC - do użytku podczas podróży, podłącz bezpośrednio do zapalniczki samochodowej

PANEL STEROWANIA - Rysunek B

A - Przycisk zasilania ON/OFF

B - Przycisk SET

C - Wskaźnik zasilania

- D - Wskaźnik błędu
- E - Wyświetlacz LCD
- F – Przycisk „+”
- G – Przycisk „-”

OBSŁUGA

- Przy próbie podłączenia przenośnej lodówki do standardowego gniazda 12 V, urządzenie nie będzie działać, jeśli gniazdo ma napięcie poniżej 9,6 V. Urządzenie uruchomi się ponownie, gdy napięcie osiągnie 12,2 V lub więcej.
- Przy próbie podłączenia urządzenia do standardowego gniazda 24 V, urządzenie nie będzie działać, jeśli w gniazdku będzie napięcie mniejsze niż 21,3 V. Urządzenie uruchomi się ponownie, gdy napięcie osiągnie 25,2 V lub więcej.
- Urządzenie można także podłączyć do zasilania sieciowego 230V ~50/60Hz po zastosowaniu zasilacza zewnętrznego (nie dołączony). Zalecany model zasilacza AC/DC to CR8076.1.

PANEL STEROWANIA (7) - Rysunek B

Twoja przenośna lodówka wykorzystuje cyfrowy system sterowania do regulacji termostatu.

* Przycisk zasilania (A) - WŁ. / WyŁ.

1. Podłącz lodówkę do źródła zasilania, naciśnij raz przycisk zasilania (A), aby włączyć urządzenie.
2. Ponownie naciśnij przycisk zasilania (A), lodówka się wyłączy.

* Przycisk SET :

Długo naciśnij przycisk SET przez 3 sekundy i wejdź w zaawansowane tryby:

ITRYB OCHRONY NAPIĘCIA:

Urządzenie ma trzy funkcje ochrony akumulatora, które chronią normalną pracę lodówki i chronią akumulator pojazdu.

Te trzy poziomy ochrony akumulatora:

H3 – wysoki poziom ochrony

dla napięcia 12 V: zatrzymuje się przy 10,9 V i zaczyna pracę przy 12,2 V.

dla napięcia 24 V: zatrzymuje się przy 23,8 V i zaczyna pracę przy 25,2 V.

H2 – średni poziom ochrony

dla napięcia 12 V: zatrzymuje się przy 9,7 V i zaczyna pracę przy 11,0 V.

dla napięcia 24 V: zatrzymuje się przy 21,5 V i zaczyna pracę przy 22,9 V.

H1 – niski poziom ochrony:

dla napięcia 12 V: zatrzymuje się przy 9,6 V i zaczyna pracę przy 10,9 V.

dla napięcia 24 V: zatrzymuje się przy 21,3 V i zaczyna pracę przy 22,7 V.

Krótko naciśnij przycisk „+” lub „-”, aby wybrać funkcję. Funkcja jest ustawiona na średni poziom ochrony „H2”, gdy lodówka jest gotowa do pierwszego użycia.

UWAGA:

Zaleca się ustawienie ochrony akumulatora na H2 (średni poziom) gdy urządzenie jest używane w samochodzie.

Zaleca się ustawienie zabezpieczenia akumulatora na H2 (średni poziom) lub H1 (niski poziom), jeśli jest to akumulator zewnętrzny lub akumulator zapasowy.

Ze względu na różnicę w napięciu wyjściowym z różnych wyjść zasilacza pojazdu, jeśli istnieje zabezpieczenie napięciowe (LCD wyświetlacz pokazuje F1), funkcja akumulatora może zostać zredukowana do niższej (H3 jest przestawione na H2 lub H1).

* Przycisk „+” (F) służy do zwiększania temperatury lub innych ustawień opisanych powyżej.

* Przycisk „-” (G) służy do obniżania temperatury lub innych ustawień opisanych powyżej.

* Wskaźnik zasilania (C):

- Gdy lodówka jest włączona, kontrolka jest czerwona.
- Gdy lodówka jest wyłączona, kontrolka gaśnie.

* Wskaźnik błędu (D):

- W przypadku awarii brzęczyk będzie dzwonił w sposób ciągły.
- Na ekranie pojawią się kody usterek.
- Wskaźnik błędu (D) zaświeci się na niebiesko.

* Wyświetlacz LCD (E): pokazuje

- Wyświetla temperaturę i inne ustawienia.

- Na ekranie mogą pojawić się kody usterek, jak poniżej:

F1: Awaria napięcia

F2: Awaria prądu wentylatora

F3: Błąd rozruchu sprężarki

F4: Awaria minimalnej prędkości sprężarki

F5: Błąd temperatury sterownika

E0: Przerwany obwód czujnika

E1: Zwarcie czujnika

Wyświetlacz LCD umożliwi ustawienie temperatury od -20°C do $+20^{\circ}\text{C}$. Realnie osiągnięta temperatura wewnątrz urządzenia uzależniona jest od warunków zewnętrznych. Dla przykładu w temperaturze otoczenia $+25^{\circ}\text{C}$, najniższa osiągnięta temperatura wewnątrz urządzenia wynosi -20°C . Urządzenie nie posiada funkcji podgrzewania.

UWAGA: Jeśli system działa nieprawidłowo, najpierw sprawdź, czy napięcie akumulatora jest prawidłowe. Jeśli napięcie akumulatora jest prawidłowe, odczekaj 3 minuty przed włączeniem lodówki. Jeśli system nadal działa nieprawidłowo po ponownym uruchomieniu urządzenia, skontaktuj się z serwisem w celu uzyskania pomocy.

Powszechne ustawienia temperatury do przechowywania:

- Wina (od $+6^{\circ}\text{C}$ do $+18^{\circ}\text{C}$)
- Szczepionki, Insulina (od $+2^{\circ}\text{C}$ do -8°C)
- Owoce (od 4°C do 6°C)
- Napoje (od 2°C do 5°C)
- Mięso (-10°C)
- Lody (-15°C)

Zachowaj ostrożność, jeśli chcesz przechowywać leki w lodówce. Przed włożeniem do urządzenia żywność należy spakować w pojemniki / torebki przeznaczone do tego celu.

CZYSZCZENIE I KONSERWACJA

Zawsze odłączaj urządzenie przed rozpoczęciem czyszczenia.

Czyść miękką, suchą szmatką przy użyciu łagodnych detergentów. Nie używaj rozpuszczalników chemicznych, ponieważ mogą spowodować trwałe uszkodzenie lub deformację urządzenia.

ROZWIĄZYWANIE PROBLEMÓW

Postępuj zgodnie z poniższym przewodnikiem rozwiązywania problemów, aby rozwiązać typowe problemy.

Problem I: Urządzenie w ogóle nie działa i nie wykazuje oznak zasilania.

Możliwa przyczyna 1: Urządzenie nie jest zasilane.

Rozwiązanie możliwej przyczyny 1: Upewnij się, że urządzenie jest podłączone.

Możliwa przyczyna 2: Niewystarczająca moc.

Rozwiązanie możliwej przyczyny 2: Przenieś urządzenie do innego gniazdka. Sprawdź wyłącznik automatyczny.

(Patrz tabliczka znamionowa z tyłu urządzenia, aby określić pobór prądu).

Możliwa przyczyna 3: Przewód zasilający DC

Rozwiązanie dla możliwej przyczyny 4: Przetestuj urządzenie z innym zasilaczem, np. inny pojazd ze znanym działającym gniazdkiem prądu stałego.

Możliwa przyczyna 4: Odłączone przewody.

Rozwiązanie możliwej przyczyny 5: Skontaktuj się z obsługą klienta.

Problem II: Urządzenie wydaje dziwne dźwięki.

Możliwa przyczyna 1: Urządzenie nie jest wypoziomowane.

Rozwiązanie 1: Przenieś urządzenie na płaską, poziomą powierzchnię.

Problem III: Urządzenie wydaje głośny, ciągły metaliczny dźwięk stukania.

Możliwa przyczyna 1: Jednostka mogła zostać wysłana na boku.

Rozwiązanie 1: Wyłącz urządzenie. Pozostaw urządzenie na równej powierzchni przez co najmniej 24 godziny i uruchom ponownie.

Możliwa przyczyna 2: Uszkodzona sprężarka

Rozwiązanie 2: Skontaktuj się z obsługą klienta.

Problem IV: Urządzenie działa przez chwilę, a następnie wyzwala przewód zasilający lub wyłącznik automatyczny.

Możliwa przyczyna: Urządzenie może być podłączone do gniazdka, które nie dostarcza odpowiedniego prądu.

Rozwiązanie: Skontaktuj się z elektrykiem, jeśli urządzenie pracuje w innym pomieszczeniu lub obwodzie.

Problem V: Kontrolki panelu sterowania migają losowo.

Możliwa przyczyna: Urządzenie może mieć uszkodzony panel sterowania.

Rozwiązanie: Uruchom ponownie urządzenie, a jeśli problem będzie się powtarzał, skontaktuj się z obsługą klienta.

Problem VI: W urządzeniu wystąpił błąd HH

Możliwa przyczyna: Temperatura otoczenia przekroczyła 40 °C.

Rozwiązanie: Uruchom ponownie urządzenie, a jeśli problem nie ustąpi, skontaktuj się z obsługą klienta.

Problem VII: W urządzeniu wystąpił błąd OC.

Możliwa przyczyna: Wykryto błąd termostatu.

Rozwiązanie: Uruchom ponownie urządzenie, a jeśli problem będzie się powtarzał, skontaktuj się z obsługą klienta.

Problem VIII: W urządzeniu wystąpił błąd S.C.

Możliwa przyczyna: Wykryto zwarcie w termostacie.

Rozwiązanie: Uruchom ponownie urządzenie, a jeśli problem będzie się powtarzał, skontaktuj się z obsługą klienta.

Problem IX: Urządzenie jest zasilane, ale sprężarka nie działa.

Możliwa przyczyna 1: Temperatura otoczenia jest zbyt niska.

Rozwiązanie 1: Przenieś urządzenie w cieplejsze miejsce.

Możliwa przyczyna 2: Odłączony przewód.

Rozwiązanie 2: Skontaktuj się z obsługą klienta.

UWAGA: RYZYKO POŻARU / MATERIAŁY ŁATWOPALNE



DANE TECHNICZNE

Pojemność: 40 litrów

Zasilanie:

- DC 12V / 24V – gniazdo zapalniczki samochodowej
- 230V ~50/60Hz – gniazdo sieciowe po zastosowaniu zasilacza zewnętrznego (nie dołączony)

Czynnik chłodniczy: R600a / 40g

Klasa klimatyczna: S / SN

Izolacja: C5H10

Znamionowy pobór mocy: 45W

Maksymalny prąd znamionowy: 3,7A

W trosce o środowisko. Opakowania kartonowe oraz worki polietylenowe (PE) należy wrzucać do odpowiednich pojemników przeznaczonych do selektywnej zbiórki odpadów komunalnych zgodnie z ich opisem. Jeżeli w urządzeniu znajdują się baterie, należy je wyjąć i osobno oddać do punktu zbierania i składowania. Zużyte urządzenie należy oddać do odpowiedniego punktu zbierania i składowania, gdyż znajdujące się w nim niebezpieczne substancje mogą stanowić zagrożenie dla zdrowia i środowiska.

Oznaczenie umieszczone na produkcie wskazuje, że urządzenia nie należy wyrzucać do pojemnika z odpadami komunalnymi. Zużyty sprzęt elektryczny, to odpady, które zawierają substancje szkodliwe dla ludzi, zwierząt i środowiska. Substancje te mogą doprowadzić do zanieczyszczenia gleby, wody lub powietrza, a poprzez to mogą się dostać do organizmu człowieka i doprowadzić do licznych dolegliwości zdrowotnych, takich jak: zaburzenia wzroku, słuchu, mowy, mogą również doprowadzić do uszkodzenia nerek, wątroby i serca, oraz wywołać choroby skóry. Substancje szkodliwe mogą mieć również niekorzystny wpływ na układ oddechowy i rozrodczy oraz doprowadzić do zmian nowotworowych. Spożycie roślin rosnących na skażonych glebach, oraz produktów powstałych z nich może grozić w/w skutkami zdrowotnymi. **Urządzenia nie wyrzucać do pojemnika na odpady komunalne!!**

Serwis W przypadku chęci zakupu części zamiennych lub zgłoszenia ewentualnych reklamacji należy kontaktować się bezpośrednio ze sprzedawcą, który wystawił paragon.

Manuale d'uso (IT)

CONDIZIONI GENERALI DI SICUREZZA IMPORTANTI ISTRUZIONI DI SICUREZZA PER L'USO LEGGERE ATTENTAMENTE E CONSERVARE PER RIFERIMENTO FUTURO

1. Prima di utilizzare l'apparecchio, leggere le istruzioni per l'uso e seguire le indicazioni in esse contenute. Il produttore non è responsabile dei danni causati da un uso dell'apparecchio non conforme alla sua destinazione o da una manipolazione impropria.

2. L'apparecchio è destinato esclusivamente a un uso non commerciale. Non utilizzare per altri scopi incompatibili con la sua destinazione d'uso.

3. L'apparecchio deve essere collegato, a seconda delle necessità, a una presa "accendisigari" dell'auto con una tensione di 12 o 24 V, oppure a una presa di rete 220-240 V ~ 50-60 Hz. (A seconda del tipo di apparecchio, selezionare il parametro di alimentazione appropriato).

Per aumentare la sicurezza d'uso, non si devono collegare contemporaneamente più apparecchi elettrici a un unico circuito.

4. Prestare particolare attenzione quando si utilizza l'apparecchio in presenza di bambini. Non permettere ai bambini di giocare con l'apparecchio, né ai bambini o a chiunque non abbia familiarità con l'apparecchio.

5. **AVVERTENZA:** Questa apparecchiatura può essere utilizzata da bambini di età superiore agli 8 anni e da persone con ridotte capacità fisiche, sensoriali o mentali, o da persone prive di esperienza o conoscenza dell'apparecchiatura, a condizione che ciò avvenga sotto la supervisione di una persona responsabile della loro sicurezza o che siano state fornite loro istruzioni sull'uso sicuro dell'apparecchiatura e siano consapevoli dei pericoli associati al suo utilizzo. I bambini non devono giocare con l'attrezzatura. La pulizia e la manutenzione dell'attrezzatura non devono essere effettuate dai bambini, a meno che non abbiano più di 8 anni e l'attività sia svolta sotto supervisione.

6. Dopo l'uso, rimuovere sempre la spina dalla presa di corrente tenendola con la mano. **NON** tirare il cavo di alimentazione.

7. **NON** immergere il cavo, la spina o l'intero apparecchio in acqua o altri liquidi. Non esporre l'apparecchio agli agenti atmosferici (pioggia, sole, ecc.) e non utilizzarlo in condizioni di umidità (bagni, camper umidi).

8. Controllare periodicamente le condizioni del cavo di alimentazione. Se il cavo di alimentazione è danneggiato, deve essere sostituito da un riparatore

specializzato per evitare pericoli.

9. Non utilizzare l'apparecchio con un cavo di alimentazione danneggiato o se è caduto o è stato danneggiato in altro modo o non funziona correttamente.

Non riparare l'apparecchio da soli per evitare il rischio di scosse. Portare l'apparecchio danneggiato presso un centro di assistenza competente per l'ispezione o la riparazione. Le riparazioni possono essere effettuate solo da centri di assistenza autorizzati. Una riparazione non corretta può comportare gravi rischi per l'utente.

10. Collocare l'apparecchio su una superficie fresca, stabile e piana, in grado di sostenere il peso dell'apparecchio e di tutto il suo contenuto, lontano da apparecchi da cucina caldi come: fornelli elettrici, fornelli a gas, ecc....

11. Non utilizzare l'apparecchio in prossimità di materiali infiammabili.

12. Il cavo di alimentazione non deve pendere oltre il bordo del tavolo o toccare superfici calde.

13. Per una maggiore protezione, si consiglia di installare nel circuito elettrico un interruttore differenziale (RCD) con una corrente residua nominale non superiore a 30 mA. A tale proposito, si consiglia di rivolgersi a un elettricista specializzato.

14. Non utilizzare l'apparecchio se le prese di collegamento sono bagnate.

15. Quando si utilizza l'apparecchio in un'automobile o su un'imbarcazione, verificare che il fusibile che protegge il sistema di alimentazione sia funzionante.

16. Proteggere l'apparecchio da fonti di calore e dai raggi solari.

17. Inserire nell'apparecchio prodotti già raffreddati.

18. Collocare l'unità in un'area adeguatamente ventilata. La distanza da altri oggetti deve essere di almeno 20 cm.

19. **AVVERTENZA:** Non ostruire le aperture di ventilazione nell'alloggiamento dell'apparecchio.

20. **AVVERTENZA:** Proteggere il circuito contenente il refrigerante da eventuali danni.

21. **AVVERTENZA:** Non utilizzare o conservare apparecchiature elettriche all'interno del vano di conservazione degli alimenti.

22. **AVVERTENZA:** L'apertura della porta per un periodo di tempo prolungato può provocare un aumento significativo della temperatura nei vani dell'apparecchio.

23. **AVVERTENZA:** Pulire regolarmente le superfici che possono venire a contatto con gli alimenti.

24. **AVVERTENZA:** Conservare la carne e il pesce crudi in contenitori

appositi, in modo che i prodotti non vengano a contatto tra loro e che non gocciolino sugli altri alimenti.

25. **AVVERTENZA:** se l'unità di refrigerazione rimane vuota per un periodo prolungato, spegnerla, sbrinarla, pulirla, asciugarla e lasciare la porta aperta per evitare la formazione di muffa all'interno dell'unità.

26. **AVVERTENZA:** non conservare all'interno del frigorifero materiali esplosivi come lattine contenenti aerosol infiammabili, ecc.

27. **AVVERTENZA:** Quando si installa l'apparecchio, assicurarsi che il cavo di alimentazione non sia schiacciato dal frigorifero o danneggiato.

28. **AVVERTENZA:** non collocare prolunghhe o alimentatori portatili vicino o dietro l'apparecchio.

29. **AVVERTENZA:** Non utilizzare dispositivi meccanici o acceleratori di sbrinamento diversi da quelli raccomandati dal produttore.

Prima del primo utilizzo: Posizione corretta

1. Prima del primo utilizzo, rimuovere tutti gli imballaggi e lasciare almeno 15 cm di spazio libero intorno all'apparecchio (5 cm sul lato, 10 cm sul retro dell'apparecchio).

2. Collocare il frigorifero in un luogo asciutto e ben ventilato. Conservare il frigorifero lontano dalla luce diretta del sole, da fonti di calore e da gas corrosivi.

NOTA: Poiché il funzionamento dell'apparecchio è basato sul compressore, è necessario un ampio spazio intorno all'apparecchio per consentire un corretto sfiamo.

NOTA: Si sconsiglia di spostare l'unità se il pavimento non è liscio. Non utilizzare se il frigorifero è inclinato. Se il frigorifero viene trascinato nel luogo di utilizzo, metterlo in posizione verticale e attendere 10 minuti prima di utilizzarlo. Quando si sposta il frigorifero, utilizzare sempre entrambe le maniglie per trasportarlo il più orizzontalmente possibile. Ciò serve a proteggere il compressore e il sistema di tenuta

AVVERTENZA: per spostare e maneggiare questo apparecchio, utilizzare almeno due persone. La mancata osservanza di questa avvertenza può causare lesioni alla schiena o di altro tipo.

3. Se possibile, conservare il frigorifero portatile lontano da fonti di calore e dalla luce solare diretta.

4. Il frigorifero portatile è adatto all'uso in auto e in campeggio, ma non deve essere esposto alla pioggia o ad altre condizioni atmosferiche avverse.

5. Il frigorifero portatile non deve essere collocato in un'area incassata o incassabile. L'apparecchio è progettato per essere indipendente.

6. Il normale funzionamento del frigorifero dipende dall'irradiazione di calore dal condensatore.

7. Pulire la superficie interna con un po' di acqua tiepida e un panno morbido.

Nota: quando si collega il cavo di alimentazione CC, accertarsi che l'ingresso sia una fonte di alimentazione da 12 V ~ CC / 24 V.

IMPORTANTE: non rimuovere le etichette di avvertimento, di attenzione o di informazione sul prodotto dal frigorifero portatile per auto.

DESCRIZIONE DEL DISPOSITIVO Frigorifero portatile - Figura A

1. Base 2. Presa a spina

3. Supporto 4. Telaio

5. Coperchio 6. Pannello di controllo

7. Cavo di alimentazione DC - da utilizzare in viaggio, da collegare direttamente all'accendisigari dell'automobile

PANNELLO DI CONTROLLO - Figura B

A - Pulsante di accensione ON/OFF

- B - Pulsante SET
- C - Indicatore di alimentazione
- D - Indicatore di errore
- E - Display LCD
- F - Pulsante "+"
- G - Pulsante "-"

FUNZIONAMENTO

- Quando si cerca di collegare il frigorifero portatile a una presa standard da 12 V, l'unità non funziona se la presa ha una tensione inferiore a 9,6 V. L'unità si riavvia quando la tensione raggiunge 12,2 V o più.
- Quando si tenta di collegare l'apparecchio a una presa standard da 24 volt, l'apparecchio non funziona se la presa ha una tensione inferiore a 21,3 volt. L'apparecchio si riavvia quando la tensione raggiunge 25,2 V o più.
- L'apparecchio può anche essere collegato alla rete elettrica a 230V ~50/60Hz utilizzando un alimentatore esterno (non incluso). Il modello di alimentatore CA/CC consigliato è il CR8076.1.

PANNELLO DI CONTROLLO (7) - Figura B

Il frigorifero portatile utilizza un sistema di controllo digitale per regolare il termostato.

* Pulsante di accensione (A) - ON. / OFF.

1. Collegare il frigorifero a una fonte di alimentazione, premere una volta il pulsante di accensione (A) per accendere l'unità.
2. Premendo nuovamente il pulsante di accensione (A), il frigorifero si spegne.

* Pulsante SET : Pulsante SET

Premendo a lungo il pulsante SET per 3 secondi, si accede alle modalità avanzate:

MODALITÀ DI PROTEZIONE DELLA TENSIONE:

L'unità dispone di tre funzioni di protezione della batteria che proteggono il normale funzionamento del frigorifero e la batteria del veicolo.

Questi tre livelli di protezione della batteria:

H3 - livello di protezione alto

per 12 V: si ferma a 10,9 V e si avvia a 12,2 V.

per 24 V: si ferma a 23,8 V e si avvia a 25,2 V.

H2 - livello di protezione medio

per 12 V: si ferma a 9,7 V e si avvia a 11,0 V.

per 24 V: si ferma a 21,5 V e si avvia a 22,9 V.

H1 - livello di protezione basso:

per 12 V: si ferma a 9,6 V e si avvia a 10,9 V.

per 24 V: si ferma a 21,3 V e si avvia a 22,7 V.

Premere brevemente il pulsante "+" o "-" per selezionare la funzione. La funzione è impostata sul livello di protezione medio "H2" quando il frigorifero è pronto per il primo utilizzo.

NOTA:

Si consiglia di impostare la protezione della batteria su H2 (livello medio) quando l'unità viene utilizzata in auto.

Si consiglia di impostare la protezione della batteria su H2 (livello medio) o H1 (livello basso) se si tratta di una batteria esterna o di una batteria di riserva.

A causa della differenza di tensione in uscita dalle diverse uscite dell'alimentazione del veicolo, se è presente una protezione di tensione (il display LCD visualizza F1), la funzione della batteria può essere ridotta a un livello inferiore (H3 viene commutato su H2 o H1).

* Il pulsante "+" (F) viene utilizzato per aumentare la temperatura o altre impostazioni descritte in precedenza.

* Il pulsante "-" (G) serve per diminuire la temperatura o altre impostazioni descritte sopra.

* Indicatore di alimentazione (C):

- Quando il frigorifero è acceso, la spia è rossa.

- Quando il frigorifero è spento, la spia si spegne.

* Indicatore di errore (D):

- In caso di guasto, il cicalino suona continuamente.
- Sullo schermo vengono visualizzati i codici di errore.
- L'indicatore di guasto (D) si accende in blu.

* Display LCD (E): visualizza

- Visualizza la temperatura e le altre impostazioni.

- Sullo schermo possono essere visualizzati i codici di guasto, come indicato di seguito:

F1: Mancanza di tensione

F2: Guasto della corrente della ventola

F3: Guasto all'avvio del compressore

F4: anomalia velocità minima del compressore

F5: anomalia della temperatura del regolatore

E0: Circuito sensore interrotto

E1: Cortocircuito del sensore

Il display LCD consente di impostare la temperatura da -20°C a +20°C. La temperatura reale raggiunta all'interno dell'unità dipende dalle condizioni esterne. Ad esempio, con una temperatura ambiente di +25°C, la temperatura minima raggiunta all'interno dell'unità è di -20°C. L'unità non dispone di una funzione di riscaldamento.

NOTA: In caso di malfunzionamento del sistema, verificare innanzitutto che la tensione della batteria sia corretta. Se la tensione della batteria è corretta, attendere 3 minuti prima di accendere il frigorifero. Se il sistema continua a non funzionare correttamente dopo aver riavviato l'apparecchio, contattare il servizio di assistenza.

Impostazioni di temperatura comuni per la conservazione:

- Vino (da +6 °C a +18 °C)

- Vaccini, insulina (da + 2 °C a - 8 °C)

- Frutta (da 4 °C a - 6 °C)

- Bevande (da 2 °C a - 5 °C)

- Carne (-10 °C)

- Gelato (-15 °C)

Fare attenzione se si desidera conservare i medicinali nel frigorifero. Imballare gli alimenti in contenitori/sacchetti appositi prima di inserirli nell'unità.

PULIZIA E MANUTENZIONE

Scollegare sempre l'apparecchio prima di pulirlo.

Pulire con un panno morbido e asciutto utilizzando detersivi delicati. Non utilizzare solventi chimici perché potrebbero causare danni permanenti o deformazioni all'apparecchio.

RISOLUZIONE DEI PROBLEMI

Seguire la seguente guida alla risoluzione dei problemi per risolvere i problemi più comuni.

Problema I: L'unità non funziona affatto e non mostra alcun segno di alimentazione.

Possibile causa 1: il dispositivo non è alimentato.

Soluzione alla possibile causa 1: accertarsi che il dispositivo sia collegato.

Possibile causa 2: alimentazione insufficiente.

Soluzione della possibile causa 2: spostare l'apparecchio in un'altra presa. Controllare l'interruttore automatico. (Per determinare l'assorbimento di corrente, consultare la targhetta sul retro dell'apparecchio).

Possibile causa 3: cavo di alimentazione CC

Soluzione per la possibile causa 4: testare l'apparecchio con un'altra alimentazione, ad esempio un altro veicolo con una presa CC funzionante.

Possibile causa 4: fili scollegati.

Soluzione per la possibile causa 5: contattare il servizio clienti.

Problema II: il dispositivo emette strani rumori.

Possibile causa 1: il dispositivo non è in piano.

Soluzione 1: spostare il dispositivo su una superficie piana e livellata.

Problema III: l'apparecchio emette un suono metallico forte e continuo.

Possibile causa 1: l'unità potrebbe essere stata spedita su un lato.

Soluzione 1: Spegnerne l'unità. Lasciare l'unità su una superficie piana per almeno 24 ore e riavviare.

Possibile causa 2: Compressore difettoso

Soluzione 2: contattare il servizio clienti.

Problema IV: L'unità funziona per un po' di tempo e poi scatta il cavo di alimentazione o l'interruttore automatico.

Possibile causa: l'apparecchio potrebbe essere collegato a una presa che non fornisce un'alimentazione adeguata.

Soluzione: contattare un elettricista se l'apparecchio funziona in un'altra stanza o in un altro circuito.

Problema V: Le luci del pannello di controllo lampeggiano in modo casuale.

Possibile causa: l'apparecchio potrebbe avere un pannello di controllo difettoso.

Soluzione: riavviare l'apparecchio e, se il problema persiste, contattare il servizio clienti.

Problema VI: si è verificato un errore HH sull'apparecchio

Possibile causa: la temperatura ambiente ha superato i 40°C.

Soluzione: riavviare il dispositivo e, se il problema persiste, contattare il servizio clienti.

Problema VII: si è verificato un errore OC nell'unità.

Possibile causa: è stato rilevato un errore del termostato.

Soluzione: riavviare l'unità e, se il problema persiste, contattare il servizio clienti.

Problema VIII: si è verificato un errore S.C. nell'unità.

Possibile causa: è stato rilevato un cortocircuito nel termostato.

Soluzione: riavviare l'apparecchio e, se il problema persiste, contattare il servizio clienti.

Problema IX: l'unità è alimentata ma il compressore non funziona.

Possibile causa 1: la temperatura ambiente è troppo bassa.

Soluzione 1: spostare l'unità in un luogo più caldo.

Possibile causa 2: cavo scollegato.

Soluzione 2: contattare il servizio clienti.

ATTENZIONE: PERICOLO DI INCENDIO / MATERIALE INFIAMMABILE



DATI TECNICI

Capacità: 40 litri

Alimentazione:

- DC 12V / 24V - presa accendisigari

- 230V ~50/60Hz - presa di rete dopo aver utilizzato un alimentatore esterno (non incluso)

Refrigerante: R600a / 40g

Classe climatica: S / SN

Isolamento: C5H10

Potenza nominale assorbita: 45W

Corrente nominale massima: 3,7A



Per il rispetto dell'ambiente. Gli imballaggi in cartone e i sacchetti in polietilene (PE) devono essere smaltiti negli appositi contenitori per la raccolta differenziata dei rifiuti urbani in base alla loro descrizione. Se l'apparecchio è dotato di batterie, queste devono essere rimosse e smaltite separatamente in un centro di raccolta e stoccaggio. L'apparecchio usato deve essere portato in un centro di raccolta e stoccaggio adeguato, in quanto le sostanze pericolose in esso contenute possono costituire un rischio per la salute e l'ambiente. Il marchio sul prodotto indica che l'apparecchio non deve essere smaltito nel contenitore dei rifiuti urbani. I rifiuti di apparecchiature elettriche sono rifiuti che contengono sostanze nocive per l'uomo, gli animali e l'ambiente. Queste sostanze possono contaminare il suolo, l'acqua o l'aria, entrando così nel corpo umano e causando una serie di problemi di salute, come alterazioni della vista, dell'udito e del linguaggio; possono inoltre danneggiare i reni, il fegato e il cuore e causare malattie della pelle. Le sostanze nocive possono anche avere effetti negativi sul sistema respiratorio e riproduttivo e portare a cambiamenti cancerogeni. Il consumo di piante che crescono sui terreni colpiti e di prodotti da esse derivati può provocare i suddetti effetti sulla salute. **Non smaltire l'apparecchiatura nei rifiuti urbani!**

Bruksanvisning (SV)

ALLMÄNNA SÄKERHETSVILLKOR VIKTIGA SÄKERHETSANVISNINGAR FÖR ANVÄNDNING LÄS NOGA OCH SPARA FÖR FRAMTIDA BEHOV

1. Läs igenom bruksanvisningen innan du använder apparaten och följ anvisningarna i den. Tillverkaren ansvarar inte för skador som orsakas av att apparaten används på ett sätt som inte överensstämmer med dess avsedda användning eller av felaktig hantering.
2. Apparaten är endast avsedd för icke-kommersiellt bruk. Använd den inte för något annat ändamål som inte är förenligt med dess avsedda användning.
3. Apparaten ska vid behov anslutas till ett biluttag för "cigarettändare" med en spänning på 12 eller 24 V, eller till ett eluttag på 220-240 V ~ 50-60 Hz. (Beroende på typ av enhet, välj lämplig strömförsörjningsparameter). För att öka säkerheten vid användning bör inte flera elektriska apparater anslutas till en enda krets samtidigt.
4. Var särskilt försiktig när du använder apparaten när barn är närvarande. Låt inte barn leka med apparaten. Låt inte barn eller personer som inte är bekanta med apparaten använda den.
5. **VARNING:** Denna utrustning får användas av barn över 8 år och personer med nedsatt fysisk, sensorisk eller mental förmåga, eller personer utan erfarenhet av eller kunskap om utrustningen, om detta sker under överinseende av en person som ansvarar för deras säkerhet eller om de har fått instruktioner om säker användning av utrustningen och är medvetna om de faror som är förknippade med dess användning. Barn får inte leka med utrustningen. Rengöring och underhåll av utrustningen får inte utföras av barn, såvida de inte är över 8 år gamla och aktiviteten utförs under uppsikt.
6. Dra alltid ut stickkontakten ur eluttaget efter användning genom att hålla i uttaget med handen. Dra INTE i nätsladden.
7. Sänk INTE ner sladden, kontakten eller hela enheten i vatten eller någon annan vätska. Utsätt inte apparaten för väder och vind (regn, sol etc.) och använd den inte i fuktiga miljöer (badrum, fuktiga husbilar).
8. Kontrollera regelbundet att nätsladden är i gott skick. Om nätsladden är skadad ska den bytas ut av en fackman för att undvika fara.

9. Använd inte apparaten med skadad nätsladd eller om den har tappats eller skadats på annat sätt eller inte fungerar som den ska. Reparera inte apparaten själv, eftersom det finns risk för elstötar. Lämna in den skadade apparaten till en behörig serviceverkstad för kontroll eller reparation. Reparationer får endast utföras av auktoriserade servicecenter. Felaktig reparation kan innebära en allvarlig risk för användaren.

10. Placera apparaten på en sval, stabil och jämn yta som kan bära upp vikten av apparaten och allt innehåll, på avstånd från heta köksapparater som t.ex. elspis, gasbrännare etc.

11. Använd inte apparaten i närheten av brandfarliga material.

12. Nätkabeln får inte hänga ut över bordskanten eller vidröra heta ytor.

13. För ytterligare skydd är det lämpligt att installera en jordfelsbrytare (RCD) i den elektriska kretsen med en nominell restström som inte överstiger 30 mA. En behörig elektriker bör rådfrågas i detta avseende.

14. Använd inte apparaten om anslutningsuttagen är våta.

15. När du använder apparaten i en bil eller på en båt, kontrollera att säkringen som skyddar strömförsörjningssystemet är i drift.

16. Skydda apparaten från värmekällor och solljus.

17. Placera redan nedkylda produkter i enheten.

18. Placera enheten i ett väl ventilerat utrymme. Avståndet till andra föremål bör vara minst 20 cm.

19. VARNING: Blockera inte ventilationsöppningarna i apparatens hölje.

20. VARNING: Skydda den krets som innehåller köldmediet från skador.

21. VARNING: Använd eller förvara inte elektrisk utrustning i matlagingsfacket.

22. VARNING: Om dörren öppnas under en längre tid kan det leda till att temperaturen i apparatfacken stiger avsevärt.

23. VARNING: Rengör regelbundet ytor som kan komma i kontakt med livsmedel.

24. VARNING: Förvara rått kött och fisk i särskilda behållare så att produkterna inte kommer i kontakt med varandra och så att de inte droppar på andra livsmedel.

25. VARNING: Om kylaggregatet står tomt under en längre tid ska du stänga av, avfrostas, rengöra, torka och lämna dörren öppen för att förhindra att det bildas mögel i aggregatet.

26. VARNING: Förvara inte explosiva material, t.ex. burkar med brandfarlig aerosol, i kylskåpet.

27. VARNING: När du ställer upp apparaten ska du se till att nätsladden inte

kläms av kylskåpet eller skadas.

28. VARNING: Placera inte förlängningssladdar eller bärbara nätaggregat nära eller bakom apparaten.

29. VARNING: Använd inte andra mekaniska anordningar eller avfrostningsacceleratorer än de som rekommenderas av tillverkaren.

Före första användning: Korrekt placering

1. Före första användning ska du ta bort allt emballage och lämna minst 15 cm fritt utrymme runt apparaten (5 cm på sidan, 10 cm på baksidan av apparaten).

2. Placera kylskåpet på en torr och väl ventilerad plats. Förvara kylskåpet på avstånd från direkt solljus, värmeelement och frätande gaser.

OBS: Eftersom apparaten är kompressorbaserad krävs det gott om utrymme runt apparaten för att möjliggöra korrekt ventilation.

OBS: Det är inte rekommenderat att flytta enheten om golvet inte är jämnt. Använd inte om kylskåpet lutar. Om kylskåpet släpas till den plats där det ska användas, placera det upprätt och vänta 10 minuter innan du använder det. När du flyttar kylskåpet ska du alltid använda båda handtagen för att bära enheten så horisontellt som möjligt. Detta för att skydda kompressorn och det slutna systemet

VARNING: Använd minst två personer för att flytta och hantera denna apparat. Om denna varning inte beaktas kan det leda till ryggsador eller andra skador.

3. Om möjligt, förvara det portabla kylskåpet på avstånd från värme och direkt solljus.

4. Det bärbara kylskåpet är lämpligt för användning i bilen och på campingplatsen, men enheten bör inte utsättas för regn eller andra hårda väderförhållanden.

5. Det bärbara kylskåpet ska inte placeras i ett inbyggt eller försänkt utrymme. Apparaten är konstruerad för att vara fristående.

6. Normal drift av kylskåpet är beroende av värmestrålning från kondensorn.

7. Rengör den invändiga ytan med lite ljummet vatten och en mjuk trasa.

Obs: När du ansluter likströmssladden, se till att ingången är en 12 V ~ DC / 24 V strömkälla.

VIKTIGT: Ta inte bort några varnings-, försiktighets- eller produktinformationsetiketter från det bärbara kylskåpet.

BESKRIVNING AV ENHETEN Bärbart kylskåp - Bild A

1. Bas
2. Plug-in-uttag
3. Hållare
4. Ram
5. Lock
6. Kontrollpanel
7. Likströmskabel - för användning under resor, anslut direkt till cigarettändaren i bilen

KONTROLLPANEL - Bild B

A - ON/OFF-strömknapp

B - SET-knapp

C - Strömindikator

D - Felindikator

E - LCD-display

F - "+"-knapp

G - "-"-knapp

ANVÄNDNING

- När du försöker ansluta det portabla kylskåpet till ett vanligt 12 V-uttag fungerar inte enheten om uttaget har en spänning under 9,6 V. Enheten startar om när spänningen når 12,2 V eller mer.

- När du försöker ansluta apparaten till ett vanligt 24 V-uttag fungerar inte apparaten om uttaget har en spänning på mindre än 21,3 V. Enheten startar om när spänningen når 25,2 V eller mer.

- Enheten kan också anslutas till 230V ~50/60Hz nätspänning med hjälp av ett externt nätaggregat (ingår ej). Den rekommenderade AC/DC-strömförsörjningsmodellen är CR8076.1.

KONTROLLPANEL (7) - Bild B

Ditt portabla kylskåp använder ett digitalt styrsystem för att justera termostaten.

* Strömknapp (A) - ON. / AV.

1. Anslut kylskåpet till en strömkälla och tryck en gång på strömbrytaren (A) för att slå på enheten.
2. Om du trycker på strömbrytaren (A) igen stängs kylskåpet av.

* SET-knapp :

Tryck länge på SET-knappen i 3 sekunder och gå in i avancerade lägen:

ITLÅGE FÖR SPÄNNINGSSKYDD:

Enheten har tre batteriskyddsfunktioner som skyddar kylskåpets normala drift och skyddar fordonets batteri.

Dessa tre nivåer av batteriskydd:

H3 - hög skyddsnivå

för 12 V: stoppar vid 10,9 V och startar vid 12,2 V.

för 24 V: stoppar vid 23,8 V och startar vid 25,2 V.

H2 - medelhög skyddsnivå

för 12 V: stoppar vid 9,7 V och startar vid 11,0 V.

för 24 V: stoppar vid 21,5 V och startar vid 22,9 V.

H1 - låg skyddsnivå:

för 12 V: stopp vid 9,6 V och start vid 10,9 V.

för 24 V: stopp vid 21,3 V och start vid 22,7 V.

Tryck kort på knappen "+" eller "-" för att välja funktion. Funktionen är inställd på medelhög skyddsnivå "H2" när kylskåpet är klart för första användningen.

OBS!

Vi rekommenderar att batteriskyddet ställs in på H2 (medelnivå) när enheten används i en bil.

Vi rekommenderar att du ställer in batteriskyddet på H2 (medelnivå) eller H1 (lågnivå) om det är ett externt batteri eller ett reservbatteri.

På grund av skillnaden i utspänning från de olika utgångarna i fordonets strömförsörjning, om det finns ett spänningsskydd (LCD-displayen visar F1), kan batterifunktionen reduceras till en lägre nivå (H3 växlas till H2 eller H1).

* Knappen "+" (F) används för att öka temperaturen eller andra inställningar som beskrivs ovan.

* "-"-knappen (G) används för att sänka temperaturen eller andra inställningar som beskrivs ovan.

* Strömindikator (C):

- När kylskåpet är påslaget lyser kontrollampen rött.
- När kylskåpet stängs av slocknar lampan.

* Felindikator (D):

- I händelse av fel ljuder summern kontinuerligt.
- Felkoder visas på skärmen.
- Felindikatorn (D) tänds med blått sken.

* LCD-display (E): visar

- Visar temperatur och andra inställningar.
- Felkoder kan visas på skärmen, se nedan:

F1: Spänningsfel

F2: Fel på fläktström

F3: Fel vid start av kompressor

F4: Fel på lägsta kompressorvarvtal

F5: Fel på styrenhetens temperatur

E0: Avbruten givarkrets

E1: Kortslutning av givare

På LCD-displayen kan temperaturen ställas in från -20°C till +20°C. Den verkliga uppnådda temperaturen inuti enheten beror på de yttre förhållandena. Vid en omgivningstemperatur på +25°C är t.ex. den lägsta uppnådda

temperaturen inuti enheten -20°C. Eheten har ingen uppvärmningsfunktion.

OBS: Om systemet inte fungerar som det ska, kontrollera först att batterispänningen är korrekt. Om batterispänningen är korrekt, vänta 3 minuter innan du slår på kylskåpet. Om systemet fortfarande inte fungerar som det ska efter att du har startat om apparaten, kontakta kundtjänst för hjälp.

Vanliga temperaturinställningar för förvaring:

- Vin (+ 6 °C till +18 °C)
- Vacciner, insulin (från + 2 °C till - 8 °C)
- Frukt (från 4 °C till - 6 °C)
- Drycker (2 °C till - 5 °C)
- Kött (-10 °C)
- Glass (-15 °C)

Var försiktig om du vill förvara läkemedel i kylskåpet. Packa maten i behållare / påsar avsedda för detta ändamål innan du lägger in den i enheten.

RENGÖRING OCH UNDERHÅLL

Dra alltid ut kontakten ur eluttaget före rengöring.

Rengör med en mjuk, torr trasa och milda rengöringsmedel. Använd inte kemiska lösningsmedel eftersom de kan orsaka permanenta skador eller deformationer på enheten.

FELSÖKNING

Följ felsökningsguiden nedan för att lösa vanliga problem.

Problem I: Eheten fungerar inte alls och visar inga tecken på strömförsörjning.

Möjlig orsak 1: Eheten är inte strömförsörd.

Lösning på möjlig orsak 1: Kontrollera att enheten är ansluten.

Möjlig orsak 2: Otillräcklig strömförsörjning.

Lösning på möjlig orsak 2: Flytta apparaten till ett annat uttag. Kontrollera strömbrytaren. (Se märkskylten på apparatens baksida för att fastställa strömförbrukningen).

Möjlig orsak 3: Likströmskabel

Lösning för möjlig orsak 4: Testa apparaten med en annan strömförsörjning, t.ex. ett annat fordon med ett känt fungerande likströmsuttag.

Möjlig orsak 4: Urkopplade kablar.

Lösning för möjlig orsak 5: Kontakta kundtjänst.

Problem II: Apparaten ger ifrån sig konstiga ljud.

Möjlig orsak 1: Apparaten är inte i nivå.

Lösning 1: Flytta apparaten till en plan och jämn yta.

Problem III: Eheten avger ett högt, kontinuerligt metalliskt knackningsljud.

Möjlig orsak 1: Eheten kan ha skickats på sidan.

Lösning 1: Stäng av apparaten. Låt apparaten stå på ett plant underlag i minst 24 timmar och starta sedan om den.

Möjlig orsak 2: Defekt kompressor

Lösning 2: Kontakta kundtjänst.

Problem IV: Eheten går en stund och utlöser sedan nätsladden eller strömbrytaren.

Möjlig orsak: Apparaten kan vara ansluten till ett uttag som inte ger tillräcklig ström.

Lösning: Kontakta en elektriker om apparaten används i ett annat rum eller i en annan krets.

Problem V: Kontrollpanelens lampor blinkar slumpmässigt.

Möjlig orsak: Apparaten kan ha en felaktig kontrollpanel.

Lösning: Starta om apparaten och kontakta kundtjänst om problemet kvarstår.

Problem VI: HH-fel har uppstått på enheten

Möjlig orsak: Omgivningstemperaturen översteg 40 °C.

Lösning: Starta om enheten och kontakta kundtjänst om problemet kvarstår.

Problem VII: Ett OC-fel har uppstått i enheten.

Möjlig orsak: Ett termostatfel har upptäckts.

Lösning: Starta om enheten och kontakta kundtjänst om problemet kvarstår.

Problem VIII: Ett S.C.-fel har uppstått i enheten.

Möjlig orsak: En kortslutning har upptäckts i termostaten.

Lösning: Starta om apparaten och kontakta kundtjänst om problemet kvarstår.

Problem IX: Eheten är strömförsörd men kompressorn fungerar inte.

Möjlig orsak 1: Omgivningstemperaturen är för låg.

Lösning 1: Flytta enheten till en varmare plats.

Möjlig orsak 2: Urkopplad kabel.

Lösning 2: Kontakta kundtjänst.

WARNING: BRANDFARA / BRANDFARLIGT MATERIAL



TEKNISKA DATA

Kapacitet: 40 liter

Strömförsörjning:

- DC 12V / 24V - cigarettändaruttag

- 230V ~50/60Hz - eluttag efter användning av en extern strömförsörjningsenhet (ingår ej)

Köldmedium: R600a / 40g

Klimatklass: S / SN

Isolering: C5H10

Nominell strömförbrukning: 45W

Maximal nominell ström: 3,7A

För miljöns skull. Kartongförpackningar och påsar av polyeten (PE) ska kastas i lämpliga behållare för separat insamling av kommunalt avfall i enlighet med deras beskrivning. Om det finns batterier i apparaten måste de tas ur och lämnas in separat till en insamlings- och förvaringsanläggning. Den använda apparaten måste lämnas till en lämplig insamlings- och förvaringsanläggning, eftersom de farliga ämnen som den innehåller kan utgöra en risk för hälsa och miljö. Märkningen på produkten anger att apparaten inte får slängas i den kommunala avfallsbehållaren. Elavfall är avfall som innehåller ämnen som är skadliga för människor, djur och miljö. Dessa ämnen kan förorena mark, vatten eller luft, och därigenom kan de komma in i människokroppen och leda till ett antal hälsoproblem, såsom nedsatt syn, hörsel, tal, kan också skada njurar, lever och hjärta och orsaka hudsjukdomar. Skadliga ämnen kan också ha negativa effekter på andningsorganen och fortplantningssystemet och leda till cancerförändringar. Konsumtion av växter som växer på de drabbade jordarna och produkter som tillverkas av dem kan leda till ovan nämnda hälsoeffekter. **Kasta inte utrustningen i den kommunala soptunnan!**



Service Om du vill köpa reservdelar eller om du har några klagomål, vänligen kontakta direkt den återförsäljare som utfärdat kvittot.

Ръководство за употреба (BG)

ОБЩИ УСЛОВИЯ ЗА БЕЗОПАСНОСТ

ВАЖНИ ИНСТРУКЦИИ ЗА БЕЗОПАСНОСТ ПРИ УПОТРЕБА ПРОЧЕТЕТЕ ВНИМАТЕЛНО И ЗАПАЗЕТЕ ЗА БЪДЕЩИ СПРАВКИ

1. Прочетете инструкциите за експлоатация преди да използвате уреда и спазвайте съдържащите се в тях указания. Производителят не носи отговорност за щети, причинени от използване на уреда не по

предназначение или от неправилно боравене с него.

2. Уредът е предназначен само за употреба с нетърговска цел. Не го използвайте за никакви други цели, несъвместими с предназначението му.

3. Уредът трябва да се свързва според изискванията към контакт за "запалка" на автомобил с напрежение 12 V или 24 V или към контакт на електрическата мрежа 220-240 V ~ 50-60 Hz. (В зависимост от вида на устройството изберете съответния параметър на захранването).

За да се повиши безопасността на използване, към една верига не трябва да се свързват едновременно няколко електрически уреда.

4. Бъдете особено внимателни, когато използвате уреда в присъствието на деца. Не позволявайте на деца да си играят с уреда не позволявайте на деца или на лица, които не са запознати с уреда, да го използват.

5. **ПРЕДУПРЕЖДЕНИЕ:** Този уред може да се използва от деца на възраст над 8 години и лица с намалени физически, сетивни или умствени способности, или лица без опит или познания за уреда, ако това става под надзора на лице, отговорно за тяхната безопасност, или ако са им дадени инструкции за безопасно използване на уреда и са запознати с опасностите, свързани с използването му. Децата не трябва да играят с оборудването. Почистването и поддръжката на оборудването не трябва да се извършват от деца, освен ако те не са на възраст над 8 години и дейността не се извършва под надзор.

6. Винаги изваждайте щепсела от електрическия контакт след употреба, като държите контакта с ръка. **НЕ** дърпайте захранващия кабел.

7. **НЕ** потапяйте кабела, щепсела или целия уред във вода или друга течност. Не излагайте уреда на атмосферни влияния (дъжд, слънце и др.) и не го използвайте във влажни помещения (бани, влажни автокъщи).

8. Периодично проверявайте състоянието на захранващия кабел. Ако захранващият кабел е повреден, той трябва да бъде заменен от специализиран сервиз, за да се избегне опасност.

9. Не използвайте уреда с повреден захранващ кабел или ако той е бил изпуснат или повреден по друг начин или не работи правилно. Не поправяйте уреда сами, тъй като има опасност от токов удар. Отнесете повредения уред в компетентен сервизен център за проверка или ремонт. Всички ремонти могат да се извършват само от оторизирани сервизни центрове. Неправилният ремонт може да представлява сериозен риск за потребителя.

10. Поставете уреда върху хладна, стабилна и равна повърхност, която

може да издържи теглото на уреда и цялото му съдържание, далеч от горещи кухненски уреди, като: електрическа печка, газова горелка и др.

....

11. Не използвайте уреда в близост до запалими материали.
12. Захранващият кабел не трябва да виси над ръба на масата или да докосва горещи повърхности.
13. За допълнителна защита е препоръчително да инсталирате в електрическата верига устройство за остатъчен ток (RCD) с номинален остатъчен ток, който не надвишава 30 mA. В тази връзка трябва да се консултирате със специалист електротехник.
14. Не използвайте уреда, ако съединителните гнезда са мокри.
15. Когато използвате уреда в автомобил или на лодка, проверете дали предпазителят, защитаващ захранващата система, е в изправност.
16. Защитете уреда от източници на топлина и слънчева светлина.
17. Поставете вече охладени продукти в уреда.
18. Поставете устройството на място с подходяща вентилация. Разстоянието от други предмети трябва да бъде най-малко 20 cm.
19. ПРЕДУПРЕЖДЕНИЕ: Не блокирайте вентилационните отвори в корпуса на уреда.
20. ПРЕДУПРЕЖДЕНИЕ: Защитете веригата, съдържаща хладилния агент, от повреда.
21. ПРЕДУПРЕЖДЕНИЕ: Не използвайте и не съхранявайте електрическо оборудване в отделението за съхранение на храна.
22. ПРЕДУПРЕЖДЕНИЕ: Отварянето на вратата за продължителен период от време може да доведе до значително повишаване на температурата в отделенията на уреда.
23. ПРЕДУПРЕЖДЕНИЕ: Почиствайте редовно повърхностите, които могат да влязат в контакт с храна.
24. ПРЕДУПРЕЖДЕНИЕ: Съхранявайте суровото месо и рибата в специални съдове, така че продуктите да не влязат в контакт помежду си и да не капят върху други храни.
25. ПРЕДУПРЕЖДЕНИЕ: Ако хладилният агрегат остане празен за продължителен период от време, изключете го, размразете, почистете, подсушете и оставете вратата отворена, за да предотвратите образуването на мухъл в агрегата.
26. ПРЕДУПРЕЖДЕНИЕ: Не съхранявайте в хладилника взривоопасни материали, като например кутии, съдържащи запалим аерозол и др.
27. ПРЕДУПРЕЖДЕНИЕ: Когато настройвате уреда, се уверете, че

захранващият кабел не е притиснат от хладилника или повреден.

28. ПРЕДУПРЕЖДЕНИЕ: Не поставяйте удължители или преносими захранващи устройства в близост до или зад уреда.

29. ПРЕДУПРЕЖДЕНИЕ: Не използвайте механични устройства или ускорители на размразяването, различни от препоръчаните от производителя.

Преди първата употреба: Правилно местоположение

1. Преди първата употреба отстранете всички опаковки и оставете поне 15 см свободно пространство около уреда (5 см от страни, 10 см отзад на уреда).

2. Поставете хладилника на сухо и добре проветриво място. Съхранявайте хладилника далеч от пряка слънчева светлина, нагреватели и корозивни газове.

ЗАБЕЛЕЖКА: Тъй като работата на уреда се базира на компресор, е необходимо достатъчно пространство около уреда, за да се осигури правилно вентилиране.

ЗАБЕЛЕЖКА: Не се препоръчва преместването на уреда, ако подът не е гладък. Не използвайте, ако хладилникът е наклонен. Ако хладилникът е влачен до мястото, което ще се използва, поставете го в изправено положение и изчакайте 10 минути, преди да го използвате. Когато премествате хладилника, винаги използвайте двете дръжки, за да пренесете уреда възможно най-хоризонтално. Това се прави, за да се предпазят компресорът и запечатаната система

ПРЕДУПРЕЖДЕНИЕ: Използвайте поне двама души за преместване и работа с този уред. Неспазването на това предупреждение може да доведе до нараняване на гърба или други наранявания.

3. Ако е възможно, съхранявайте преносимия хладилник далеч от топлина и пряка слънчева светлина.

4. Преносимият хладилник е подходящ за използване в автомобила и в къмпинга, но уредът не трябва да се излага на дъжд или други тежки атмосферни условия.

5. Преносимият хладилник не трябва да се поставя във вградено или вдлъбнато пространство. Уредът е проектиран да бъде свободностоящ.

6. Нормалната работа на хладилника зависи от топлинното излъчване от кондензатора.

7. Почиствайте вътрешната повърхност с малко хладка вода и мека кърпа.

Забележка: Когато свързвате захранващия кабел за постоянен ток, уверете се, че входът е източник на захранване 12 V ~ DC / 24 V.

ВАЖНО: Не премахвайте никакви предупредителни, предпазни или информационни етикети за продукта от преносимия автомобилен хладилник.

ОПИСАНИЕ НА УСТРОЙСТВОТО Преносим хладилник - Фигура А

1. Основа 2. Гнездо за включване

3. Държач 4. Рамка

5. Капак 6. Панел за управление

7. Захранващ кабел за постоянен ток - за използване при пътуване, включете директно в запалката за цигари на автомобила

ПАНЕЛ ЗА УПРАВЛЕНИЕ - Фигура Б

A - Бутон за включване/изключване

B - бутон SET

C - Индикатор за захранване

D - Индикатор за грешка

E - LCD дисплей

F - бутон "+"

G - бутон "-"

ОПЕРАЦИЯ

- При опит за свързване на преносимия хладилник към стандартен 12 V контакт, уредът няма да работи, ако напрежението в контакта е под 9,6 V. Устройството ще се рестартира, когато напрежението достигне 12,2 V или повече.

- При опит за свързване на уреда към стандартен 24-волтов контакт, уредът няма да работи, ако контактът има напрежение под 21,3 V. Уредът ще се рестартира, когато напрежението достигне 25,2 V или повече.

- Уредът може да бъде свързан и към 230 V ~50/60 Hz електрическа мрежа, когато се използва външно захранване (не е включено в комплекта). Препоръчителният модел на AC/DC захранване е CR8076.1.

ПАНЕЛ ЗА УПРАВЛЕНИЕ (7) - Фигура Б

Вашият преносим хладилник използва цифрова система за управление, за да регулира терморегулатора.

* Бутон за захранване (A) - ON. / OFF.

1. Свържете хладилника към източник на захранване, натиснете бутона за захранване (A) веднъж, за да включите уреда.

2. Натиснете отново бутона за захранване (A), хладилникът ще се изключи.

* Бутон SET :

Натиснете продължително бутона SET за 3 секунди и въведете разширени режими:

РЕЖИМ НА ЗАЩИТА НА НАПРЕЖЕНИЕТО:

Устройството разполага с три функции за защита на акумулатора, които защитават нормалната работа на хладилника и предпазват акумулатора на автомобила.

Тези три нива на защита на акумулатора:

H3 - високо ниво на защита

за 12 V: спира при 10,9 V и започва при 12,2 V.

за 24 V: спира при 23,8 V и започва при 25,2 V.

H2 - средно ниво на защита

за 12 V: спира при 9,7 V и започва при 11,0 V.

за 24 V: спира при 21,5 V и започва при 22,9 V.

H1 - ниско ниво на защита:

за 12 V: спира при 9,6 V и започва при 10,9 V.

за 24 V: спира при 21,3 V и започва при 22,7 V.

Натиснете за кратко бутона "+" или "-", за да изберете функцията. Функцията се настройва на средно ниво на защита "H2", когато хладилникът е готов за първа употреба.

ЗАБЕЛЕЖКА: В СЛУЧАЙ НА НЕОБХОДИМОСТ, КОГАТО ХЛАДИЛНИКЪТ СЕ НАМИРА В СЪСТОЯНИЕ НА ИЗНЕМОЩЯВАНЕ, ТОЙ МОЖЕ ДА БЪДЕ ИЗКЛЮЧЕН:

Препоръчва се защитата на батерията да се настройва на H2 (средно ниво), когато уредът се използва в автомобил.

Препоръчително е да настроите защитата на батерията на H2 (средно ниво) или H1 (ниско ниво), ако става въпрос за външна батерия или резервна батерия.

Поради разликата в изходното напрежение от различните изходи на захранването на автомобила, ако има защита от напрежение (LCD дисплеят показва F1), функцията на батерията може да бъде намалена до по-ниска (H3 се превключва на H2 или H1).

* Бутонът "+" (F) се използва за увеличаване на температурата или за други настройки, описани по-горе.

* Бутонът "-" (G) се използва за намаляване на температурата или други настройки, описани по-горе.

* Индикатор за захранване (C):

- Когато хладилникът е включен, индикаторът свети в червено.

- Когато хладилникът е изключен, индикаторът угасва.

* Индикатор за грешка (D):

- В случай на неизправност зумерът ще звъни непрекъснато.

- На екрана ще се появят кодове за грешки.

- Индикаторът за неизправност (D) ще светне в синьо.

* LCD дисплей (E): показва

- Показва температурата и други настройки.

- На екрана могат да се появят кодове за неизправности, както е показано по-долу:

F1: Повреда на напрежението

F2: Повреда на тока на вентилатора

F3: Грешка при пускане на компресора

F4: Дефект при минимална скорост на компресора

F5: Грешка в температурата на контролера

E0: Прекъсната верига на сензора

E1: Късо съединение на сензора

LCD дисплеят позволява настройване на температурата в диапазона от -20°C до $+20^{\circ}\text{C}$. Реално постигнатата температура вътре в устройството зависи от външните условия. Например при външна температура от $+25^{\circ}\text{C}$ най-ниската постигната температура вътре в устройството е -20°C . Устройството не разполага с функция за отопление.

ЗАБЕЛЕЖКА: Ако системата се повреди, първо проверете дали напрежението на батерията е правилно. Ако напрежението на батерията е правилно, изчакайте 3 минути, преди да включите хладилника. Ако системата все още не функционира правилно след рестартиране на уреда, свържете се със сервиз за помощ.

Общи настройки на температурата за съхранение:

- Вино ($+6^{\circ}\text{C}$ до $+18^{\circ}\text{C}$)

- Ваксини, инсулин (от $+2^{\circ}\text{C}$ до -8°C)

- Плодове (от 4°C до -6°C)

- Напитки (от 2°C до -5°C)

- Месо (-10°C)

- Сладолед (-15°C)

Бъдете внимателни, ако искате да съхранявате лекарства в хладилника. опаковайте храната в контейнери/торбички, предназначени за тази цел, преди да я поставите в уреда.

ПОЧИСТВАНЕ И ПОДДРЪЖКА

Винаги изключвайте уреда от електрическата мрежа преди почистване.

Почиствайте с мека, суха кърпа, като използвате меки почистващи препарати. Не използвайте химически разтворители, тъй като те могат да причинят трайна повреда или деформация на уреда.

ОТСТРАНЯВАНЕ НА НЕИЗПРАВНОСТИ

Следвайте ръководството за отстраняване на неизправности по-долу, за да разрешите често срещани проблеми.

Проблем I: Устройството изобщо не работи и не показва никакви признаци на захранване.

Възможна причина 1: Устройството не е захранено.

Решение на възможна причина 1: Уверете се, че устройството е свързано.

Възможна причина 2: Недостатъчно захранване.

Решение за възможна причина 2: Преместете уреда в друг контакт. Проверете прекъсвача на електрическата верига. (Вижте табелката с номиналните стойности на гърба на уреда, за да определите консумацията на ток).

Възможна причина 3: Захранващ кабел за постоянен ток

Решение за възможна причина 4: Изпробвайте уреда с друго захранване, напр. с друг автомобил с известен работещ контакт за постоянен ток.

Възможна причина 4: Прекъснати проводници.

Решение за възможна причина 5: Свържете се с отдела за обслужване на клиенти.

Проблем II: Устройството издава странни звуци.

Възможна причина 1: Устройството не е изравнено.

Решение 1: Преместете устройството на равна, равна повърхност.

Проблем III: Устройството издава силен, непрекъснат метален звук на почукване.

Възможна причина 1: Възможно е устройството да е било изравнено настрана.

Решение 1: Изключете устройството. Оставете устройството на равна повърхност за поне 24 часа и го стартирайте отново.

Възможна причина 2: Дефектен компресор

Решение 2: Свържете се с отдела за обслужване на клиенти.

Проблем IV: Устройството работи известно време и след това задейства захранващ кабел или прекъсвача.

Възможна причина: Уредът може да е включен в контакт, който не осигурява достатъчно захранване.

Решение: Свържете се с електротехник, ако уредът работи в друго помещение или верига.

Проблем V: Светлините на контролния панел мигат произволно.

Възможна причина: Възможно е уредът да е с повреден контролен панел.

Решение: Рестартирайте уреда и ако проблемът продължава, се свържете с отдела за обслужване на клиенти.

Проблем VI: В устройството е възникнала грешка НН

Възможна причина: Температурата на околната среда е превишила 40 °С.

Решение: Рестартирайте устройството и ако проблемът продължава, се свържете с отдела за обслужване на клиенти.

Проблем VII: В устройството е възникнала грешка на ОС.

Възможна причина: Открита е грешка в термостата.

Решение: Рестартирайте устройството и ако проблемът продължава, се свържете с отдела за обслужване на клиенти.

Проблем VIII: В устройството е възникнала грешка на С.С.

Възможна причина: В терморегулатора е открито късо съединение.

Решение: Рестартирайте уреда и ако проблемът продължава, се свържете с отдела за обслужване на клиенти.

Проблем IX: Устройството е включено, но компресорът не работи.

Възможна причина 1: Температурата на околната среда е твърде ниска.

Решение 1: Преместете устройството на по-топло място.

Възможна причина 2: Прекъснат кабел.

Решение 2: Свържете се с отдела за обслужване на клиенти.

ВНИМАНИЕ: ОПАСНОСТ ОТ ПОЖАР / ЗАПАЛИМ МАТЕРИАЛ



ТЕХНИЧЕСКИ ДАННИ

Капацитет: 40 литра

Захранване:

- DC 12V / 24V - гнездо за запалка за цигари

- 230V ~50/60Hz - мрежово гнездо след използване на външно захранващо устройство (не е включено в комплекта)

Хладилен агент: R600a / 40g

Климатичен клас: S / SN

Изоляция: C5H10

Номинална консумация на енергия: 45W

Максимален номинален ток: 3,7A

В името на околната среда. Картонените опаковки и полиетиленовите (PE) торбички трябва да се изхвърлят в подходящите контейнери за разделно събиране на битови отпадъци според описанието им. Ако в уреда има батерии, те трябва да се извадят и да се изхвърлят разделно в съоръжение за събиране и съхранение. Използваният уред трябва да се предаде в подходящо съоръжение за събиране и съхранение, тъй като съдържащите се в него опасни вещества могат да представляват риск за здравето и околната среда. Маркировката върху продукта показва, че уредът не трябва да се изхвърля в контейнера за битови отпадъци. Отпадъците от електрическо оборудване са отпадъци, които съдържат вещества, вредни за хората, животните и околната среда. Тези вещества могат да замърсят почвата, водата или въздуха, а чрез това могат да попаднат в човешкия организъм и да доведат до редица здравословни проблеми, като например нарушено зрение, слух, говор, могат също така да увредят бъбреците, черния дроб и сърцето и да причинят кожни заболявания. Вредните вещества могат също така да имат неблагоприятно въздействие върху дихателната и репродуктивната система и да доведат до ракови изменения. Консумацията на



растения, растящи върху засегнатите почви, и на продукти, произведени от тях, може да доведе до гореспоменатите последици за здравето. **Не изхвърляйте оборудването в контейнера за битови отпадъци!**

Сервиз Ако желаете да закупите резервни части или имате някакви оплаквания, моля се обърнете директно към търговеца, който е издал касовата бележка.

Brugsanvisning (DA)

GENERELLE SIKKERHEDSBETINGELSER VIGTIGE SIKKERHEDSINSTRUKTIONER TIL BRUG LÆS OMHYGGELIGT OG OPBEVAR TIL SENERE BRUG

1. Læs betjeningsvejledningen, før du tager apparatet i brug, og følg anvisningerne i den. Producenten er ikke ansvarlig for skader forårsaget af brug af apparatet, der ikke er i overensstemmelse med den tilsigtede brug eller forkert håndtering.
2. Apparatet er kun beregnet til ikke-kommerciel brug. Brug det ikke til andre formål, der er uforenelige med den tilsigtede brug.
3. Apparatet skal efter behov tilsluttes en "cigarettaender"-stikdåse i bilen med 12 eller 24 V eller en stikkontakt med 220-240 V ~ 50-60 Hz. (Vælg den relevante strømforsyningsparameter afhængigt af enhedens type).
For at øge sikkerheden ved brug bør der ikke tilsluttes flere elektriske apparater til et enkelt kredsløb på samme tid.
4. Vær særlig forsigtig, når du bruger apparatet, når der er børn til stede. Lad ikke børn lege med apparatet. Lad ikke børn eller andre, der ikke er fortrolige med apparatet, bruge det.
5. ADVARSEL: Dette udstyr kan bruges af børn over 8 år og personer med nedsatte fysiske, sensoriske eller mentale evner eller personer uden erfaring eller kendskab til udstyret, hvis det sker under opsyn af en person, der er ansvarlig for deres sikkerhed, eller hvis de har fået instruktioner om sikker brug af udstyret og er klar over de farer, der er forbundet med brugen af det. Børn må ikke lege med udstyret. Rengøring og vedligeholdelse af udstyret bør ikke udføres af børn, medmindre de er over 8 år, og aktiviteten udføres under opsyn.
6. Tag altid stikket ud af stikkontakten efter brug ved at holde i stikkontakten med hånden. Træk IKKE i netledningen.
7. Nedsenk IKKE ledningen, stikket eller hele apparatet i vand eller andre væsker. Udsæt ikke apparatet for vejrforhold (regn, sol osv.), og brug det ikke under fugtige forhold (badeværelser, fugtige autocampere).

8. Kontrollér jævnligt netledningens tilstand. Hvis netledningen er beskadiget, skal den udskiftes af en specialiseret reparatør for at undgå fare.
9. Brug ikke apparatet med en beskadiget netledning, eller hvis det er blevet tabt eller beskadiget på anden måde eller ikke fungerer korrekt. Reparer ikke selv apparatet, da der er risiko for stød. Bring det beskadigede apparat til et kompetent servicecenter for inspektion eller reparation. Reparationer må kun udføres af autoriserede servicecentre. Forkert reparation kan udgøre en alvorlig risiko for brugeren.
10. Placer apparatet på en kølig, stabil og jævn overflade, der kan bære vægten af apparatet og alt dets indhold, væk fra varme køkkenapparater som f.eks. elkølmur, gasbrændere osv....
11. Brug ikke apparatet i nærheden af brændbare materialer.
12. Netledningen må ikke hænge ud over bordkanten eller røre ved varme overflader.
13. For yderligere beskyttelse anbefales det at installere en fejlstrømsafbryder (RCD) i det elektriske kredsløb med en nominel fejlstrøm på højst 30 mA. En specialiseret elektriker bør konsulteres i denne henseende.
14. Brug ikke apparatet, hvis tilslutningsstikkene er våde.
15. Når du bruger apparatet i en bil eller på en båd, skal du kontrollere, at sikringen, der beskytter strømforsyningssystemet, fungerer.
16. Beskyt enheden mod varmekilder og sollys.
17. Anbring allerede afkølede produkter i enheden.
18. Placer enheden i et ordentligt ventileret område. Afstanden til andre genstande skal være mindst 20 cm.
19. ADVARSEL: Ventilationsåbningerne i apparatets kabinet må ikke blokeres.
20. ADVARSEL: Beskyt kredsløbet, der indeholder kølemidlet, mod skader.
21. ADVARSEL: Brug eller opbevar ikke elektrisk udstyr inde i madopbevaringsrummet.
22. ADVARSEL: Hvis døren åbnes i længere tid, kan det medføre, at temperaturen i apparatets rum stiger betydeligt.
23. ADVARSEL: Rengør regelmæssigt overflader, der kan komme i kontakt med fødevarer.
24. ADVARSEL: Opbevar rå kød og fisk i særlige beholdere, så produkterne ikke kommer i kontakt med hinanden, og så de ikke drypper ned på andre fødevarer.
25. ADVARSEL: Hvis køleenheden står tom i længere tid, skal den slukkes, afrimes, rengøres, tørres og døren stå åben for at forhindre, at der dannes mug i

enheden.

26. ADVARSEL: Opbevar ikke eksplosive materialer som f.eks. dåser med brandfarlig aerosol osv. i køleskabet.

27. ADVARSEL: Når du sætter apparatet op, skal du sørge for, at netledningen ikke kommer i klemme i køleskabet eller bliver beskadiget.

28. ADVARSEL: Anbring ikke forlængerledninger eller bærbare strømforsyninger i nærheden af eller bag apparatet.

29. ADVARSEL: Brug ikke andre mekaniske anordninger eller afrimningsacceleratorer end dem, der er anbefalet af producenten.

Før første brug: Korrekt placering

1. Før første brug skal du fjerne al emballage og efterlade mindst 15 cm fri plads omkring apparatet (5 cm på siden, 10 cm på bagsiden af apparatet).

2. Placer køleskabet på et tørt og godt ventileret sted. Opbevar køleskabet væk fra direkte sollys, varmeapparater og ætsende gasser.

BEMÆRK: Da apparatet fungerer ved hjælp af en kompressor, skal der være rigelig plads omkring apparatet for at muliggøre korrekt udluftning.

BEMÆRK: Det anbefales ikke at flytte enheden, hvis gulvet ikke er glat. Må ikke bruges, hvis køleskabet hælder.

Hvis køleskabet slæbes hen til det sted, hvor det skal bruges, skal det placeres lodret og vente 10 minutter, før det tages i brug. Når du flytter køleskabet, skal du altid bruge begge håndtag til at bære det så vandret som muligt. Dette er for at beskytte kompressoren og det forseglede system

ADVARSEL: Brug mindst to personer til at flytte og håndtere dette apparat. Manglende overholdelse af denne advarsel kan resultere i rygskader eller andre skader.

3. Opbevar så vidt muligt det bærbare køleskab væk fra varme og direkte sollys.

4. Det bærbare køleskab er velegnet til brug i bilen og på campingpladsen, men enheden bør ikke udsættes for regn eller andre barske vejrforhold.

5. Det bærbare køleskab bør ikke placeres i et indbygget eller forsænket område. Apparatet er designet til at være fritstående.

6. Køleskabets normale drift afhænger af varmestråling fra kondensatoren.

7. Rengør den indvendige overflade med lidt lunkent vand og en blød klud.

Bemærk: Når du tilslutter jævnstrømsledningen, skal du sikre dig, at indgangen er en 12 V ~ DC / 24 V strømkilde.

VIGTIGT: Fjern ikke advarsels-, forsigtigheds- eller produktinformationsmærkater fra det bærbare bilkøleskab.

ENHEDSBESKRIVELSE Bærbart køleskab - figur A

1. Sokkel 2. Stikdåse

3. Holder 4. Ramme

5. Dæksel 6. Kontrolpanel

7. DC-strømkabel - til brug på rejser, sæt det direkte i bilens cigarettænder

KONTROLPANEL - Figur B

A - ON/OFF-strømknap

B - SET-knap

C - Strømindikator

D - Fejlindikator

E - LCD-display

F - "+"-knap

G - "-" knap

BETJENING

- Når man forsøger at tilslutte det bærbare køleskab til en almindelig 12 V-stikkontakt, vil enheden ikke fungere, hvis stikkontakten har en spænding på under 9,6 V. Enheden genstarter, når spændingen når op på 12,2 V eller mere.
- Når du forsøger at tilslutte apparatet til en standard 24 V-stikkontakt, vil apparatet ikke fungere, hvis stikkontakten har en spænding på mindre end 21,3 volt. Apparatet genstarter, når spændingen når op på 25,2 V eller mere.
- Enheden kan også tilsluttes 230V ~50/60Hz netstrøm, hvis der bruges en ekstern strømforsyning (medfølger ikke). Den anbefalede AC/DC-strømforsyningsmodel er CR8076.1.

KONTROLPANEL (7) - Figur B

Dit bærbare køleskab bruger et digitalt kontrolsystem til at justere termostaten.

* Tænd/sluk-knap (A) - ON. / OFF.

1. Tilslut køleskabet til en strømkilde, og tryk én gang på tænd/sluk-knappen (A) for at tænde for enheden.
2. Tryk på tænd/sluk-knappen (A) igen, så slukker køleskabet.

* SET-knap :

Tryk længe på SET-knappen i 3 sekunder, og gå ind i avancerede tilstande:

ITILSTAND FOR SPÆNDINGSBESKYTTELSE:

Enheden har tre batteribeskyttelsesfunktioner, der beskytter den normale drift af køleskabet og beskytter køretøjets batteri.

Disse tre niveauer af batteribeskyttelse:

H3 - højt beskyttelsesniveau

til 12 V: stopper ved 10,9 V og starter ved 12,2 V.

for 24 V: stopper ved 23,8 V og starter ved 25,2 V.

H2 - mellemhøjt beskyttelsesniveau

for 12 V: stopper ved 9,7 V og starter ved 11,0 V.

for 24 V: stopper ved 21,5 V og starter ved 22,9 V.

H1 - lavt beskyttelsesniveau:

for 12 V: stopper ved 9,6 V og starter ved 10,9 V.

for 24 V: stopper ved 21,3 V og starter ved 22,7 V.

Tryk kortvarigt på knappen "+" eller "-" for at vælge funktionen. Funktionen er indstillet til medium beskyttelsesniveau "H2", når køleskabet er klar til første brug.

BEMÆRK:

Det anbefales at indstille batteribeskyttelsen til H2 (mellemniveau), når enheden bruges i en bil.

Det anbefales at indstille batteribeskyttelsen til H2 (mellemniveau) eller H1 (lavt niveau), hvis det er et eksternt batteri eller et backup-batteri.

På grund af forskellen i udgangsspænding fra de forskellige udgange på køretøjets strømforsyning kan batterifunktionen reduceres til et lavere niveau (H3 skiftes til H2 eller H1), hvis der er spændingsbeskyttelse (LCD-displayet viser F1).

* Knappen "+" (F) bruges til at øge temperaturen eller andre indstillinger, der er beskrevet ovenfor.

* Knappen "-" (G) bruges til at sænke temperaturen eller andre indstillinger, der er beskrevet ovenfor.

* Strømindikator (C):

- Når køleskabet er tændt, lyser indikatorlampen rødt.
- Når køleskabet slukkes, slukkes lyset.

* Indikator for fejl (D):

- I tilfælde af en fejl vil summeren ringe konstant.
- Fejlkode vises på skærmen.
- Fejlindikatoren (D) lyser blå.

* LCD-display (E): viser

- Viser temperaturen og andre indstillinger.
- Fejlkode kan vises på skærmen som nedenfor:

F1: Spændingssvingt

F2: Fejl i blæserstrøm

- F3: Fejl ved opstart af kompressor
- F4: Fejl i minimum kompressorhastighed
- F5: Fejl i styreenhedens temperatur
- E0: Afbrudt sensorkredsløb
- E1: Kortslutning af sensor

LCD-displayet gør det muligt at indstille temperaturen fra -20°C til $+20^{\circ}\text{C}$. Den reelt opnåede temperatur inde i enheden afhænger af de ydre forhold. Ved en omgivelsestemperatur på $+25^{\circ}\text{C}$ er den laveste opnåede temperatur inde i enheden f.eks. -20°C . Enheden har ikke en opvarmningsfunktion.

BEMÆRK: Hvis systemet ikke fungerer korrekt, skal du først kontrollere, at batterispændingen er korrekt. Hvis batterispændingen er korrekt, skal du vente 3 minutter, før du tænder for køleskabet. Hvis systemet stadig ikke fungerer efter genstart af apparatet, skal du kontakte service for at få hjælp.

Almindelige temperaturindstillinger for opbevaring:

- Vin ($+6^{\circ}\text{C}$ til $+18^{\circ}\text{C}$)
- Vacciner, insulin (fra $+2^{\circ}\text{C}$ til -8°C)
- Frugt (fra $+4^{\circ}\text{C}$ til -6°C)
- Drikkevarer (2°C til -5°C)
- Kød (-10°C)
- Is (-15°C)

Vær forsigtig, hvis du vil opbevare medicin i køleskabet. Pak maden i beholdere/poser, der er beregnet til dette formål, før du sætter den ind i enheden.

RENGØRING OG VEDLIGEHOLDELSE

Tag altid stikket ud af stikkontakten før rengøring.

Rengør med en blød, tør klud og milde rengøringsmidler. Brug ikke kemiske opløsningsmidler, da de kan forårsage permanent skade eller deformation af enheden.

FEJLFINDING

Følg fejlfindingsvejledningen nedenfor for at løse almindelige problemer.

Problem I: Enheden fungerer slet ikke og viser ingen tegn på strøm.

Mulig årsag 1: Der er ikke strøm på enheden.

Løsning på mulig årsag 1: Sørg for, at enheden er tilsluttet.

Mulig årsag 2: Utilstrækkelig strøm.

Løsning på mulig årsag 2: Flyt apparatet til en anden stikkontakt. Kontrollér afbryderen. (Se mærkepladen bag på apparatet for at finde ud af strømforbruget).

Mulig årsag 3: Jævnstrømskabel

Løsning på mulig årsag 4: Test enheden med en anden strømforsyning, f.eks. et andet køretøj med et kendt fungerende jævnstrømsstik.

Mulig årsag 4: Frakoblede ledninger.

Løsning på mulig årsag 5: Kontakt kundeservice.

Problem II: Enheden laver mærkelige lyde.

Mulig årsag 1: Enheden er ikke i vater.

Løsning 1: Flyt enheden til en flad, jævn overflade.

Problem III: Enheden laver en høj, kontinuerlig metallisk bankelyd.

Mulig årsag 1: Enheden kan være blevet sendt om på siden.

Løsning 1: Sluk for enheden. Lad enheden stå på en plan overflade i mindst 24 timer, og genstart den.

Mulig årsag 2: Defekt kompressor

Løsning 2: Kontakt kundeservice.

Problem IV: Enheden kører et stykke tid og udløser derefter netledningen eller afbryderen.

Mulig årsag: Apparatet kan være tilsluttet en stikkontakt, der ikke leverer tilstrækkelig strøm.

Løsning: Kontakt en elektriker, hvis apparatet er i drift i et andet rum eller kredsløb.

Problem V: Lysene på kontrolpanelet blinker tilfældigt.

Mulig årsag: Apparatet kan have et defekt kontrolpanel.

Løsning: Genstart apparatet, og kontakt kundeservice, hvis problemet fortsætter.

Problem VI: Der er opstået en HH-fejl på apparatet

Mulig årsag: Den omgivende temperatur oversteg 40°C .

Løsning: Genstart enheden, og kontakt kundeservice, hvis problemet fortsætter.

Problem VII: Der er opstået en OC-fejl i enheden.

Mulig årsag: Der er registreret en termostatfejl.

Løsning: Genstart enheden, og kontakt kundeservice, hvis problemet fortsætter.

Problem VIII: Der er opstået en S.C.-fejl i enheden.

Mulig årsag: Der blev registreret en kortslutning i termostaten.

Løsning: Genstart apparatet, og kontakt kundeservice, hvis problemet fortsætter.

Problem IX: Der er strøm på enheden, men kompressoren fungerer ikke.

Mulig årsag 1: Omgivelsestemperaturen er for lav.

Løsning 1: Flyt enheden til et varmere sted.

Mulig årsag 2: Afbrudt kabel.

Løsning 2: Kontakt kundeservice.

FORSIGTIGHED: BRANDFARE/BRÆNDBART MATERIALE



TEKNISKE DATA

Kapacitet: 40 liter

Strømforsyning:

- DC 12V / 24V - cigarettænderstik

- 230V ~50/60Hz - stikkontakt efter brug af en ekstern strømforsyningsenhed (medfølger ikke)

Kølemiddel: R600a / 40g

Klimaklasse: S / SN

Isolering: C5H10

Nominelt strømforbrug: 45W

Maksimal nominel strøm: 3,7A

Af hensyn til miljøet. Papemballage og polyethylen (PE)-poser skal bortskaffes i de relevante containere til separat indsamling af kommunalt affald i henhold til deres beskrivelse. Hvis der er batterier i apparatet, skal de fjernes og bortskaffes separat på et indsamlings- og opbevaringssted. Det brugte apparat skal afleveres til et egnet indsamlings- og opbevaringssted, da de farlige stoffer, det indeholder, kan udgøre en risiko for sundhed og miljø. Mærkningen på produktet angiver, at apparatet ikke må bortskaffes i den kommunale affaldscontainer. Kasseret elektrisk udstyr er affald, der indeholder stoffer, som er skadelige for mennesker, dyr og miljø. Disse stoffer kan forurene jord, vand eller luft, og derigennem kan de trænge ind i menneskekroppen og føre til en række helbredsproblemer, såsom nedsat syn, hørelse, tale, kan også skade nyrer, lever og hjerte og forårsage hudsygdomme. Skadelige stoffer kan også have negative virkninger på åndedræts- og forplantningssystemet og føre til kræftforandringer. Indtagelse af planter, der vokser på de berørte jorde, og produkter, der er fremstillet af dem, kan resultere i de ovennævnte helbredseffekter. **Smid ikke udstyret i den kommunale affaldsspand!**

Service Hvis du ønsker at købe reservedele eller har nogen klager, bedes du kontakte den forhandler, der har udstedt kvitteringen, direkte.

Používateľská príručka (SK)

VŠEOBECNÉ BEZPEČNOSTNÉ PODMIENKY
DÔLEŽITÉ BEZPEČNOSTNÉ POKYNY NA POUŽÍVANIE
POZORNE SI PREČÍTAJTE A USCHOVAJTE PRE BUDÚCE POUŽITIE

1. Pred použitím spotrebiča si prečítajte návod na obsluhu a dodržiavajte pokyny v ňom uvedené. Výrobca nezodpovedá za škody spôsobené používaním spotrebiča v rozpore s jeho určením alebo nesprávnou manipuláciou.
2. Prístroj je určený len na nekomerčné použitie. Nepoužívajte ho na iné účely nezlučiteľné s jeho určeným použitím.
3. Prístroj by mal byť podľa potreby pripojený do zásuvky "cigaretového zapalovača" v aute s napätím 12 V alebo 24 V alebo do sieťovej zásuvky 220-240 V ~ 50-60 Hz. (V závislosti od typu zariadenia vyberte príslušný parameter napájania).
V záujme zvýšenia bezpečnosti používania by sa do jedného obvodu nemali súčasne pripájať viaceré elektrické spotrebiče.
4. Pri používaní spotrebiča v prítomnosti detí dbajte na zvýšenú opatrnosť. Nedovoľte deťom, aby sa so spotrebičom hrali nedovoľte, aby ho používali deti alebo osoby, ktoré nie sú so spotrebičom oboznámené.
5. **VAROVANIE:** Toto zariadenie môžu používať deti staršie ako 8 rokov a osoby so zníženými fyzickými, zmyslovými alebo duševnými schopnosťami alebo osoby bez skúseností alebo znalostí zariadenia, ak tak robia pod dohľadom osoby zodpovednej za ich bezpečnosť alebo ak dostali pokyny o bezpečnom používaní zariadenia a sú si vedomé nebezpečenstiev spojených s jeho používaním. Deti by sa so zariadením nemali hrať. Čistenie a údržbu zariadenia by nemali vykonávať deti, pokiaľ nemajú viac ako 8 rokov a činnosť nevykonávajú pod dohľadom.
6. Po použití vždy vyťahnite zástrčku zo zásuvky tak, že ju pridržíte rukou. **NESMIETE ťahať za sieťový kábel.**
7. **NEPONÁRAJTE** kábel, zástrčku ani celý prístroj do vody alebo inej tekutiny. Spotrebič nevystavujte poveternostným vplyvom (dážď, slnko atď.) ani ho nepoužívajte vo vlhkých podmienkach (kúpeľne, vlhké obytné automobily).
8. Pravidelne kontrolujte stav napájacieho kábla. Ak je napájací kábel poškodený, mal by ho vymeniť odborný servis, aby sa predišlo nebezpečenstvu.
9. Spotrebič nepoužívajte s poškodeným napájacím káblom alebo ak bol spadnutý alebo inak poškodený, alebo ak nefunguje správne. Spotrebič neopravujte sami, pretože hrozí nebezpečenstvo úrazu elektrickým prúdom. Poškodený spotrebič odneste na kontrolu alebo opravu do príslušného servisného strediska. Akékoľvek opravy môžu vykonávať len autorizované servisné strediská. Neodborná oprava môže predstavovať vážne riziko pre

používateľa.

10. Spotrebič umiestnite na chladný stabilný, rovný povrch, ktorý unesie hmotnosť spotrebiča a všetok jeho obsah, mimo horúcich kuchynských spotrebičov, ako sú: elektrický sporák, plynový horák atď....
11. Spotrebič nepoužívajte v blízkosti horľavých materiálov.
12. Napájací kábel nesmie visieť cez okraj stola ani sa dotýkať horúcich povrchov.
13. Na dodatočnú ochranu sa odporúča nainštalovať do elektrického obvodu prúdový chránič (RCD) s menovitým zvyškovým prúdom nepresahujúcim 30 mA. V tejto súvislosti sa poraďte s odborným elektrikárom.
14. Spotrebič nepoužívajte, ak sú pripojovacie zásuvky mokré.
15. Pri používaní spotrebiča v aute alebo na lodi skontrolujte, či je funkčná poistka chrániaca napájací systém.
16. Prístroj chráňte pred zdrojmi tepla a slnečným žiarením.
17. Do jednotky umiestnite už vychladené výrobky.
18. Jednotku umiestnite na riadne vetranom mieste. Vzďialenosť od iných predmetov by mala byť aspoň 20 cm.
19. VAROVANIE: Neblokujte vetracie otvory v kryte spotrebiča.
20. VAROVANIE: Chráňte okruh obsahujúci chladivo pred poškodením.
21. VAROVANIE: Nepoužívajte ani neskladujte elektrické zariadenia v priestore na skladovanie potravín.
22. VAROVANIE: Otvorenie dvierok na dlhší čas môže spôsobiť výrazné zvýšenie teploty v priestoroch spotrebiča.
23. VAROVANIE: Pravidelne čistite povrchy, ktoré môžu prísť do styku s potravinami.
24. VAROVANIE: Surové mäso a ryby skladujte vo vyhradených nádobách tak, aby sa výrobky navzájom nedotýkali a aby nekvapkali na iné potraviny.
25. VAROVANIE: Ak chladiaca jednotka zostane dlhší čas prázdna, vypnite ju, rozmrazte, vyčistite, vysušte a nechajte dvere otvorené, aby ste zabránili tvorbe plesní v jednotke.
26. VAROVANIE: V chladničke neskladujte výbušné materiály, ako sú plechovky s horľavým aerosólom a pod.
27. VAROVANIE: Pri nastavovaní spotrebiča dbajte na to, aby napájací kábel nebol chladničkou pritlačený alebo poškodený.
28. VAROVANIE: Neumiestňujte predlžovacie káble alebo prenosné zdroje napájania do blízkosti spotrebiča alebo zaň.
29. VAROVANIE: Nepoužívajte iné mechanické zariadenia alebo urýchľovače odmrazovania ako tie, ktoré odporúča výrobca.

Pred prvým použitím: Správne umiestnenie

1. Pred prvým použitím odstráňte všetky obaly a okolo spotrebiča nechajte aspoň 15 cm voľného priestoru (5 cm na boku, 10 cm na zadnej strane spotrebiča).

2. Chladničku umiestnite na suché a dobre vetrané miesto. Chladničku skladujte mimo dosahu priameho slnečného žiarenia, ohrievačov a korozívnych plynov.

POZNÁMKA: Keďže prevádzka spotrebiča je založená na kompresore, je potrebný dostatočný priestor okolo spotrebiča, aby sa umožnilo správne odvetrávanie.

POZNÁMKA: Neodporúča sa premiestňovať zariadenie, ak podlaha nie je hladká. Chladničku nepoužívajte, ak je naklonená. Ak sa chladnička ťahá na miesto, ktoré sa má používať, postavte ju do zvislej polohy a pred použitím počkajte 10 minút. Pri prenášaní chladničky vždy používajte obe rukoväte, aby ste jednotku prenášali čo najviac vo vodorovnej polohe. Je to z dôvodu ochrany kompresora a utesneného systému

VAROVANIE: Na premiestňovanie a manipuláciu s týmto spotrebičom použite aspoň dve osoby. Nedodržanie tohto upozornenia môže mať za následok poranenie chrbta alebo iné zranenia.

3. Ak je to možné, prenosnú chladničku skladujte mimo dosahu tepla a priameho slnečného žiarenia.

4. Prenosná chladnička je vhodná na použitie v aute a v kempu, ale zariadenie by nemalo byť vystavené dažďu alebo iným nepriaznivým poveternostným podmienkam.

5. Prenosná chladnička by nemala byť umiestnená vo vstavanom alebo zapustenom priestore. Spotrebič je určený na voľne stojace použitie.

6. Normálna prevádzka chladničky závisí od vyžarovania tepla z kondenzátora.

7. Vnútorný povrch čistite trochu vlažnej vody a mäkkou handričkou.

Poznámka: Pri pripájaní napájacieho kábla jednosmerného prúdu sa uistite, že vstupom je zdroj napájania 12 V ~ DC / 24 V.

DÔLEŽITÉ: Z prenosnej autochladničky neodstraňujte žiadne výstražné, varovné alebo informačné štítky o výrobku.

POPIS ZARIADENIA Prenosná chladnička - obrázok A

1. Základňa 2. Zásuvka

3. Držiak 4. Rám

5. Kryt 6. Ovládací panel

7. Napájací kábel na jednosmerný prúd - na použitie na cestách, zapojte priamo do cigaretového zapalovača v aute

OVLÁDACÍ PANEL - obrázok B

A - Tlačidlo zapnutia/vypnutia

B - tlačidlo SET

C - indikátor napájania

D - indikátor chyby

E - LCD displej

F - tlačidlo "+"

G - tlačidlo "-"

OPERÁCIA

- Pri pokuse o pripojenie prenosnej chladničky do štandardnej 12 V zásuvky nebude zariadenie fungovať, ak má zásuvka napätie nižšie ako 9,6 V. Jednotka sa znovu spustí, keď napätie dosiahne 12,2 V alebo viac.

- Pri pokuse o pripojenie spotrebiča do štandardnej 24 V zásuvky nebude spotrebič fungovať, ak má zásuvka napätie nižšie ako 21,3 V. Prístroj sa znovu spustí, keď napätie dosiahne 25,2 V alebo viac.

- Prístroj je možné pripojiť aj k elektrickej sieti 230 V ~ 50/60 Hz pri použití externého napájacieho zdroja (nie je súčasťou dodávky). Odporúčaný model zdroja napájania AC/DC je CR8076.1.

OVLÁDACÍ PANEL (7) - obrázok B

Vaša prenosná chladnička používa na nastavenie termostatu digitálny riadiaci systém.

* Tlačidlo napájania (A) - ON. / OFF.

1. Pripojte chladničku k zdroju napájania, stlačte tlačidlo napájania (A) jedenkrát, aby sa zariadenie zaplo.

2. Opätovným stlačením tlačidla napájania (A) sa chladnička vypne.

* Tlačidlo SET :

Dlhým stlačením tlačidla SET na 3 sekundy vstúpite do pokročilých režimov:

REŽIM NAPĀTOVEJ OCHRANY:

Prístroj má tri funkcie ochrany batérie, ktoré chránia normálnu prevádzku chladničky a chránia batériu vozidla.

Tieto tri úrovne ochrany batérie:

H3 - vysoká úroveň ochrany

pre 12 V: zastaví sa pri 10,9 V a začne pri 12,2 V.

pre 24 V: zastaví sa pri 23,8 V a spustí sa pri 25,2 V.

H2 - stredná úroveň ochrany

pre 12 V: zastaví sa pri 9,7 V a spustí sa pri 11,0 V.

pre 24 V: zastaví sa pri 21,5 V a začne pri 22,9 V.

H1 - nízka úroveň ochrany:

pre 12 V: zastaví sa pri 9,6 V a spustí sa pri 10,9 V.

pre 24 V: zastaví sa pri 21,3 V a spustí sa pri 22,7 V.

Krátkym stlačením tlačidla "+" alebo "-" vyberte funkciu. Keď je chladnička pripravená na prvé použitie, funkcia sa nastaví na stredný stupeň ochrany "H2".

POZNÁMKA: V PRÍPADE, ŽE JE CHLADNIČKA V PREVÁDZKE, JE POTREBNÉ, ABY SA V NEJ NACHÁDZALI AJ INÉ ZARIADENIA:

Ak sa zariadenie používa v aute, odporúča sa nastaviť ochranu batérie na úroveň H2 (stredná úroveň).

Ak ide o externú batériu alebo záložnú batériu, odporúča sa nastaviť ochranu batérie na H2 (stredná úroveň) alebo H1 (nízka úroveň).

Vzhľadom na rozdielnosť výstupného napätia z rôznych výstupov napájania vozidla, ak existuje napäťová ochrana (na LCD displeji sa zobrazuje F1), môže byť funkcia batérie znížená na nižšiu (H3 je prepnutá na H2 alebo H1).

* Tlačidlo "+" (F) sa používa na zvýšenie teploty alebo iných nastavení opísaných vyššie.

* Tlačidlo "-" (G) sa používa na zníženie teploty alebo iných nastavení opísaných vyššie.

* Indikátor napájania (C):

- Keď je chladnička zapnutá, indikátor svieti červenou farbou.

- Keď je chladnička vypnutá, kontrolka zhasne.

* Indikátor chyby (D):

- V prípade poruchy bude bzučiak nepretržite zvonit'.

- Na displeji sa zobrazia kódy porúch.

- Indikátor poruchy (D) sa rozsvieti na modro.

* LCD displej (E): zobrazuje

- Zobrazuje teplotu a ďalšie nastavenia.

- Na displeji sa môžu zobrazit' kódy porúch, ako je uvedené nižšie:

F1: Porucha napätia

F2: Porucha prúdu ventilátora

F3: Porucha spustenia kompresora

F4: Porucha minimálnych otáčok kompresora

F5: Porucha teploty regulátora

E0: Prerušený obvod snímača

E1: Skrat snímača

LCD displej umožňuje nastavenie teploty v rozsahu od -20 °C do +20 °C. Skutočne dosiahnutá teplota vo vnútri jednotky závisí od vonkajších podmienok. Napríklad pri vonkajšej teplote +25 °C je najnižšia dosiahnutá teplota vo vnútri jednotky -20 °C. Jednotka nemá funkciu vykurovania.

POZNÁMKA: Ak systém funguje nesprávne, najprv skontrolujte, či je napätie batérie správne. Ak je napätie batérie správne, pred zapnutím chladničky počkajte 3 minúty. Ak systém po opätovnom spustení spotrebiča stále nefunguje správne, obráťte sa na servisnú službu, ktorá vám pomôže.

Bežné nastavenia teploty pre skladovanie:

- Víno (+ 6 °C až + 18 °C)

- Vakcíny, inzulín (od + 2 °C do - 8 °C)
- Ovocie (od 4 °C do - 6 °C)
- Nápoje (2 °C až - 5 °C)
- Mäso (-10 °C)
- Zmrzlina (-15 °C)

Ak chcete v chladničke skladovať lieky, buďte opatrní. Pred vložením potravín do chladničky ich zabaľte do nádob / vrecúšok určených na tento účel.

ČISTENIE A ÚDRŽBA

Pred čistením spotrebič vždy odpojte od elektrickej siete.

Čistite mäkkou, suchou handričkou s použitím jemných čistiacich prostriedkov. Nepoužívajte chemické rozpúšťadlá, pretože môžu spôsobiť trvalé poškodenie alebo deformáciu prístroja.

RIEŠENIE PROBLÉMOV

Pri riešení bežných problémov postupujte podľa nižšie uvedeného návodu na riešenie problémov.

Problém I: Zariadenie vôbec nefunguje a nevykazuje žiadne známky napájania.

Možná príčina 1: Zariadenie nie je napájané.

Riešenie novej príčiny 1: Skontrolujte, či je zariadenie pripojené.

Možná príčina 2: Nedostatočné napájanie.

Riešenie novej príčiny 2: Presuňte spotrebič do inej zásuvky. Skontrolujte istič elektrického obvodu. (Spotrebný prúd zistíte podľa typového štítku na zadnej strane spotrebiča).

Možná príčina 3: Napájací kábel jednosmerného prúdu

Riešenie novej príčiny 4: Vyskúšajte zariadenie s iným zdrojom napájania, napr. s iným vozidlom so známou funkčnou zásuvkou jednosmerného prúdu.

Možná príčina 4: Odpojené vodiče.

Riešenie novej príčiny 5: Kontaktujte zákaznícky servis.

Problém II: Zariadenie vydáva zvláštne zvuky.

Možná príčina 1: Zariadenie nie je v rovine.

Riešenie 1: Presuňte zariadenie na rovný, rovný povrch.

Problém III: Zariadenie vydáva hlasný, nepretržitý kovový zvuk klepania.

Možná príčina 1: Zariadenie mohlo byť poslané na bok.

Riešenie 1: Vypnite jednotku. Nechajte jednotku na rovnom povrchu aspoň 24 hodín a znovu ju spustíte.

Možná príčina 2: Poškodený kompresor

Riešenie 2: Kontaktujte zákaznícky servis.

Problém IV: Jednotka chvíľu beží a potom sa spustí napájací kábel alebo istič.

Možná príčina: Spotrebič môže byť zapojený do zásuvky, ktorá nedodáva dostatočné napájanie.

Riešenie: Ak spotrebič pracuje v inej miestnosti alebo v inom okruhu, obráťte sa na elektrikára.

Problém V: Kontrolky ovládacieho panela náhodne blikajú.

Možná príčina: Spotrebič môže mať chybný ovládací panel.

Riešenie: Reštartujte zariadenie a ak problém pretrváva, kontaktujte zákaznícky servis.

Problém VI: Na zariadení sa vyskytla chyba HH

Možná príčina: Okolité teplota prekročila 40 °C.

Riešenie: Reštartujte zariadenie a ak problém pretrváva, kontaktujte zákaznícky servis.

Problém VII: V zariadení sa vyskytla chyba OC.

Možná príčina: Bola zistená chyba termostatu.

Riešenie: Reštartujte jednotku a ak problém pretrváva, kontaktujte zákaznícky servis.

Problém VIII: V zariadení sa vyskytla chyba S.C.

Možná príčina: V termostate bol zistený skrat.

Riešenie: Reštartujte spotrebič a ak problém pretrváva, kontaktujte zákaznícky servis.

Problém IX: Zariadenie je napájané, ale kompresor nefunguje.

Možná príčina 1: Okolité teplota je príliš nízka.

Riešenie 1: Premiestnite jednotku na teplejšie miesto.

Možná príčina 2: Odpojený kábel.

Riešenie 2: Kontaktujte zákaznícky servis.

UPOZORNENIE: NEBEZPEČENSTVO POŽIARU / HORLAVÝ MATERIÁL



TECHNICKÉ ÚDAJE

Objem: 40 litrov

Napájanie:

- DC 12V / 24V - zásuvka zapalovača cigariet

- 230V ~50/60Hz - sieťová zásuvka po použití externého napájacieho zdroja (nie je súčasťou dodávky)

Chladiivo: R600a / 40g

Klimatická trieda: S / SN

Izolácia: C5H10

Menovitá spotreba energie: 45W

Maximálny menovitý prúd: 3,7 A

V záujme ochrany životného prostredia. Kartónové obaly a polyetylénové (PE) vrecká by sa mali likvidovať do príslušných kontajnerov na separovaný zber komunálneho odpadu podľa ich popisu. Ak sa v spotrebiči nachádzajú batérie, je potrebné ich vybrať a zlikvidovať oddelene v zbernom a skladovacom zariadení. Použitý spotrebič sa musí odovzdať do vhodného zberného a skladového zariadenia, pretože nebezpečné látky, ktoré obsahuje, môžu predstavovať riziko pre zdravie a životné prostredie. Označenie na výrobku uvádza, že spotrebič sa nesmie vyhadzovať do kontajnera na komunálny odpad. Elektroodpad je odpad, ktorý obsahuje látky škodlivé pre ľudí, zvieratá a životné prostredie. Tieto látky môžu kontaminovať pôdu, vodu alebo vzduch a prostredníctvom toho sa môžu dostať do ľudského organizmu a viesť k mnohým zdravotným problémom, ako sú poruchy zraku, sluchu, reči, môžu tiež poškodiť obličky, pečeň a srdce a spôsobiť kožné ochorenia. Škodlivé látky môžu mať nepriaznivé účinky aj na dýchací a reprodukčný systém a viesť k rakovinovým zmenám. Konzumácia rastlín rastúcich na postihnutých pôdach a výrobkov z nich môže mať za následok vyššie uvedené zdravotné účinky. **Zariadenie nevyhadzujte do nádoby na komunálny odpad!**



Servis Ak si želáte zakúpiť náhradné diely alebo máte akékoľvek reklamácie, obráťte sa na obráťte sa priamo na predajcu, ktorý vydal doklad o kúpe.

Korisnički priručnik (BS)

OPĆI USLOVI SIGURNOSTI

VAŽNE SIGURNOSNE UPUTSTVA

PAŽLJIVO PROČITAJTE I ZAČUVAJTE ZA BUDUĆE REFERENCE

1. Prije korištenja uređaja, pročitajte korisnički priručnik i slijedite upute sadržane u njemu. Proizvođač nije odgovoran za štetu uzrokovanu upotrebom uređaja suprotno njegovoj namjeni ili nepravilnim radom.
2. Uređaj je samo za nekomercijalnu upotrebu. Nemojte koristiti u bilo koje druge svrhe koje nisu u skladu s njegovom namjenom.
3. U zavisnosti od potrebe, uređaj treba priključiti na 12V ili 24V utičnicu za automobilski upaljač, ili na utičnicu od 220-240 V ~ 50-60 Hz. (u zavisnosti od

tipa uređaja, odaberite odgovarajući parametar napajanja).

Da biste povećali sigurnost u radu, nemojte istovremeno spajati više električnih uređaja na jedno kolo.

4. Budite posebno oprezni kada koristite uređaj kada su djeca u blizini. Djeci ne bi trebalo dozvoliti da se igraju s uređajem. Nemojte dozvoliti djeci ili osobama koje nisu upoznate s uređajem.

5. **UPOZORENJE:** Ovu opremu mogu koristiti djeca starija od 8 godina i osobe sa smanjenim fizičkim, senzornim ili mentalnim sposobnostima, ili osobe koje nemaju iskustva ili znanja o opremi, ako su pod nadzorom ili su im data uputstva kako da koriste opremu o sigurnoj upotrebi uređaja i svjesni opasnosti povezanih s njegovom upotrebom. Deca ne bi trebalo da se igraju sa opremom. Čišćenje i održavanje uređaja ne smiju obavljati djeca osim ako nisu starija od 8 godina i te aktivnosti se obavljaju pod nadzorom.

6. Kad god završite sa upotrebom, izvadite utikač iz utičnice držeći utičnicu rukom. **NEMOJTE** vući kabl za napajanje.

7. Ne uranjajte kabl, utikač ili cijeli uređaj u vodu ili bilo koju drugu tekućinu. Ne izlažite uređaj vremenskim uslovima (kiša, sunce, itd.) niti ga koristite u uslovima visoke vlažnosti (kupaonica, vlažne kampove).

8. Povremeno proveravajte stanje kabla za napajanje. Ako je kabl za napajanje oštećen, treba ga zamijeniti u stručnom servisu kako bi se izbjegla opasnost.

9. Nemojte koristiti uređaj ako je kabl za napajanje oštećen, ako je pao ili oštećen na bilo koji način, ili ako ne radi normalno. Nemojte sami popravljati uređaj jer to može dovesti do strujnog udara. Odnosite oštećeni uređaj u odgovarajući servisni centar na pregled ili popravku. Sve popravke smiju obavljati samo ovlašteni servisi. Nepravilno obavljene popravke mogu predstavljati ozbiljnu opasnost za korisnika.

10. Postavite uređaj na hladnu, stabilnu, ravnu površinu koja može izdržati težinu uređaja i svih njegovih sadržaja, dalje od vrućih kuhinjskih aparata kao što su: električni šporet, plinski plamenik itd.

11. Ne koristite uređaj u blizini zapaljivih materijala.

12. Kabl za napajanje ne smije visjeti preko ivice stola ili dodirivati vruće površine.

13. Da bi se osigurala dodatna zaštita, preporučljivo je da se u električno kolo ugradi zaštitni uređaj (RCD) sa nazivnom rezidualnom strujom koja ne prelazi 30 mA. U tom smislu obratite se stručnom električaru.

14. Nemojte koristiti uređaj ako su priključne utičnice mokre.

15. Kada koristite uređaj u automobilu ili na brodu, provjerite da li je ispravan

osigurač koji štiti sistem napajanja.

16. Zaštitite uređaj od izvora toplote i sunčeve svjetlosti.

17. Stavite već ohlađene proizvode u uređaj.

18. Postavite uređaj na mesto sa odgovarajućom ventilacijom. Udaljenost od drugih objekata treba biti najmanje 20 cm.

19. UPOZORENJE: Nemojte blokirati otvore za ventilaciju u kućištu uređaja.

20. UPOZORENJE: Zaštitite krug koji sadrži rashladno sredstvo od oštećenja.

21. UPOZORENJE: Nemojte koristiti ili skladištiti električnu opremu unutar pretinca za odlaganje hrane.

22. UPOZORENJE: Otvaranje vrata na duže vrijeme može uzrokovati značajno povećanje temperature u komorama uređaja.

23. UPOZORENJE: Redovno čistite površine koje mogu doći u kontakt sa hranom.

24. UPOZORENJE: Sirovo meso i ribu čuvajte u za to predviđenim posudama tako da se proizvodi ne dodiruju i ne kapaju na drugu hranu.

25. UPOZORENJE: Ako je vaš rashladni uređaj ostavljen prazan duže vrijeme, isključite ga, odmrznite, očistite, osušite i ostavite otvorena vrata kako biste spriječili stvaranje buđi u uređaju.

26. UPOZORENJE: Ne skladištite eksplozivne materijale kao što su zapaljive aerosolne limenke itd. u frižideru.

27. UPOZORENJE: Prilikom postavljanja aparata vodite računa da kabl za napajanje nije priklješten od strane frižidera ili da nije oštećen.

28. UPOZORENJE: Nemojte postavljati produžne kablove ili prenosive izvore napajanja blizu ili iza uređaja.

29. UPOZORENJE: Nemojte koristiti mehaničke uređaje ili sredstva za ubrzavanje procesa odmrzavanja osim onih koje preporučuje proizvođač.

Prije prve upotrebe: Pravilna lokacija

1. Prije prve upotrebe uklonite svu ambalažu i ostavite najmanje 15 cm slobodnog prostora oko uređaja (5 cm sa strane, 10 cm sa stražnje strane uređaja).

2. Postavite frižider na suvo i dobro provetreno mesto. Frižider treba čuvati dalje od direktne sunčeve svjetlosti, radijatora i korozivnih plinova.

NAPOMENA: Pošto je jedinica zasnovana na kompresoru, potreban je veliki prostor oko jedinice kako bi se omogućilo pravilno odzračivanje.

NAPOMENA: Ne preporučuje se pomicanje uređaja ako pod nije gladak. Ne koristite ako je frižider nagnut. Ako se frižider odvuče na lokaciju za upotrebu, postavite ga uspravno i pričekajte 10 minuta prije upotrebe. Kada premješate hladnjak, uvijek koristite obje ručke kako biste uređaj nosili što je moguće horizontalnije. Ovo je za zaštitu kompresora i zatvorenog sistema

UPOZORENJE: Koristite najmanje dvije osobe za pomicanje i upravljanje ovom opremom. Nepoštivanje ovog upozorenja može dovesti do povreda leđa ili drugih povreda.

3. Ako je moguće, čuvajte svoj prijenosni hladnjak dalje od vrućine i direktne sunčeve svjetlosti.

4. Prenosni hladnjak je pogodan za upotrebu u automobilu i kampovanju, ali jedinica ne bi trebalo da bude izložena kiši ili drugim teškim vremenskim uslovima.

5. Prenosivi frižider ne treba postavljati u ugradni ili udubljenje. Uređaj je dizajniran kao samostojeći.

6. Normalan rad frižidera zavisi od toplotnog zračenja iz kondenzatora.

7. Očistite unutrašnju površinu s malo mlake vode i mekom krpom.

Napomena: Prilikom povezivanja DC kabla za napajanje, uverite se da je ulaz 12V~DC/24V izvor napajanja.

VAŽNO: Nemojte uklanjati naljepnice s upozorenjima, upozorenjima ili informacijama o proizvodu sa vašeg prijenosnog hladnjaka u automobilu.

OPIS Prenosivi frižider - Slika A

1. Osnove 2. Utičnica

3. Drška 4. Okvir

5. Poklopac 6. Kontrolna tabla

7. DC kabl za napajanje - Za upotrebu tokom putovanja, uključite direktno u upaljač za cigarete vašeg automobila

KONTROLNA TABLA - Slika B

A – Dugme za uključivanje/isključivanje napajanja

B - dugme SET

C - Indikator napajanja

D - Indikator greške

E - LCD ekran

F – dugme "+".

G – dugme "-".

SERVIS

- Kada pokušavate da uključite prenosni hladnjak u standardnu utičnicu od 12 V, jedinica neće raditi ako je napon utičnice ispod 9,6 V. Jedinica će se ponovo pokrenuti kada napon dostigne 12,2 V ili više.
- Kada pokušavate da uključite uređaj u standardnu utičnicu od 24 V, uređaj neće raditi ako je napon u utičnici manji od 21,3 V Uređaj će se ponovo pokrenuti kada napon dostigne 25,2 V ili veći.
- Uređaj se takođe može povezati na 230V ~50/60Hz mrežno napajanje pomoću eksternog napajanja (nije uključeno). Preporučeni model AC/DC napajanja je CR8076.1.

KONTROLNA TABLA (7) - Slika B

Vaš prijenosni frižider koristi digitalni kontrolni sistem za podešavanje termostata.

* Dugme za napajanje (A) - UKLJUČENO / Isključeno

1. Priključite frižider na napajanje, pritisnite dugme za napajanje (A) jednom da biste uključili uređaj.
2. Pritisnite dugme za napajanje (A) ponovo, frižider će se isključiti.

*SET dugme:

Dugo pritisnite dugme SET na 3 sekunde i uđite u napredne modove:

NAČIN ZAŠTITE NAPONA:

Uređaj ima tri funkcije zaštite baterije, koje štite normalan rad frižidera i štite akumulator vozila.

Ova tri nivoa zaštite baterije:

H3 – visok nivo zaštite

za 12V napon: zaustavlja se na 10.9V i počinje na 12.2V.

za 24V napon: zaustavlja se na 23.8V i počinje na 25.2V.

H2 – srednji nivo zaštite

za 12V napon: zaustavlja se na 9.7V i počinje na 11.0V.

za 24V napon: zaustavlja se na 21.5V i počinje na 22.9V.

H1 – nizak nivo zaštite:

za 12V napon: zaustavlja se na 9.6V i počinje na 10.9V.

za 24V napon: zaustavlja se na 21.3V i počinje na 22.7V.

Kratko pritisnite dugme "+" ili "-" za odabir funkcije. Funkcija je postavljena na srednji nivo zaštite "H2" kada je frižider spreman za prvu upotrebu.

PAŽNJA:

Preporučuje se postavljanje zaštite baterije na H2 (srednji nivo) kada se uređaj koristi u automobilu.

Preporučuje se postavljanje zaštite baterije na H2 (srednji nivo) ili H1 (nizak nivo) ako se radi o vanjskoj bateriji ili rezervnoj bateriji.

Zbog razlike u izlaznom naponu iz različitih izlaza napajanja vozila, ako postoji naponska zaštita (LCD displej prikazuje F1), funkcija baterije može biti smanjena na nižu (H3 se prebacuje na H2 ili H1).

* Dugme "+" (F) se koristi za povećanje temperature ili drugih gore opisanih postavki.

* Dugme "-" (G) se koristi za snižavanje temperature ili drugih gore opisanih postavki.

* Indikator napajanja (C):

- Kada je frižider uključen, indikatorska lampica je crvena.
- Kada se frižider isključi, indikatorska lampica se gasi.

* Indikator greške (D):

- U slučaju kvara, zujalica će zvoniti neprekidno.
- Šifre grešaka će se pojaviti na ekranu.
- Indikator greške (D) svijetli plavo.

* LCD ekran (E): prikazuje

- Prikazuje temperaturu i druge postavke.
- Kodovi grešaka se mogu pojaviti na ekranu kao u nastavku:

F1: Kvar napona

F2: Kvar struje ventilatora

F3: Greška pri pokretanju kompresora

F4: Kvar minimalne brzine kompresora

F5: Greška temperature regulatora

E0: Krug senzora je prekinut

E1: Kratak spoj senzora

LCD ekran vam omogućava da podesite temperaturu od -20°C do +20°C. Stvarna temperatura koja se postiže unutar uređaja ovisi o vanjskim uvjetima. Na primjer, pri temperaturi okoline od +25°C, najniža temperatura koja se postiže unutar uređaja je -20°C. Uređaj nema funkciju grijanja.

NAPOMENA: Ako sistem pokvari, prvo provjerite da li je napon baterije ispravan. Ako je napon baterije ispravan, pričekajte 3 minute prije nego što uključite hladnjak. Ako sistem nastavi da kvari nakon ponovnog pokretanja uređaja, obratite se servisu za pomoć.

Uobičajene postavke temperature za skladištenje:

- Vina (od +6 °C do +18 °C)
- Vakcine, insulin (od + 2 °C do - 8 °C)
- Voće (od 4°C do -6°C)
- Pića (od 2°C do - 5°C)
- Meso (-10 °C)
- Sladoled (-15°C)

Budite oprezni ako želite da čuvate lekove u frižideru. Pre nego što ih stavite u aparat, hranu treba spakovati u kontejnere/kese namenjene za to.

ČIŠĆENJE I ODRŽAVANJE

Uvijek isključite uređaj prije čišćenja.

Očistite mekom, suvom krpom koristeći blage deterdžente. Nemojte koristiti hemijska otapala jer mogu uzrokovati trajno oštećenje ili deformaciju uređaja.

RJEŠAVANJE PROBLEMA

Slijedite vodič za rješavanje problema u nastavku da biste riješili uobičajene probleme.

Problem I: Uređaj uopće ne radi i ne pokazuje znakove napajanja.

Mogući uzrok 1: Uređaj ne prima struju.

Rješenje mogućeg uzroka 1: Provjerite je li uređaj povezan.

Mogući uzrok 2: Nedovoljna snaga.

Rješenje mogućeg uzroka 2: Premjestite uređaj u drugu utičnicu. Provjerite prekidač. (Pogledajte natpisnu pločicu na

poledini jedinice da biste odredili trenutnu potrošnju).

Mogući uzrok 3: DC kabel za napajanje

Rješenje za mogući uzrok 4: Testirajte uređaj s drugim izvorom napajanja, kao što je drugo vozilo s poznatom ispravnom DC utičnicom.

Mogući uzrok 4: Isključeni kablovi.

Rješenje mogućeg uzroka 5: Obratite se korisničkoj službi.

Problem II: Uređaj proizvodi čudne zvukove.

Mogući uzrok 1: Uređaj nije nivelisan.

Rešenje 1: Pomerite uređaj na ravnu, horizontalnu površinu.

Problem III: Uređaj proizvodi glasan, kontinuirani metalni zvuk kliktanja.

Mogući uzrok 1: Jedinica je možda poslana u stranu.

1. rješenje: Isključite svoj uređaj. Ostavite uređaj na ravnoj površini najmanje 24 sata i ponovo ga pokrenite.

Mogući uzrok 2: Neispravan kompresor

Rješenje 2: Obratite se korisničkoj službi.

Problem IV: Uređaj radi neko vrijeme, a zatim isključuje kabel za napajanje ili prekidač.

Mogući uzrok: Uređaj je možda uključen u utičnicu koja ne daje odgovarajuću struju.

Rješenje: Obratite se električaru ako jedinica radi u drugoj prostoriji ili strujnom krugu.

Problem V: Lampice na kontrolnoj tabli bljeskaju nasumično.

Mogući uzrok: Uređaj može imati oštećenu kontrolnu ploču.

Rješenje: Ponovo pokrenite uređaj i ako se problem nastavi, kontaktirajte korisničku podršku.

Problem VI: Uređaj je naišao na HH grešku

Mogući uzrok: Temperatura okoline je prešla 40°C.

Rješenje: Ponovo pokrenite uređaj i ako se problem nastavi, kontaktirajte korisničku podršku.

Problem VII: Uređaj ima OC grešku.

Mogući uzrok: Otkrivena greška termostata.

Rješenje: Ponovo pokrenite uređaj i ako se problem nastavi, kontaktirajte korisničku podršku.

Problem VIII: Uređaj je naišao na SC grešku

Mogući uzrok: U termostatu je otkriven kratki spoj.

Rješenje: Ponovo pokrenite uređaj i ako se problem nastavi, kontaktirajte korisničku podršku.

Problem IX: Uređaj je napajan, ali kompresor ne radi.

Mogući uzrok 1: Temperatura okoline je preniska.

1. rješenje: Premjestite uređaj na toplije mjesto.

Mogući uzrok 2: Isključen kabl.

Rješenje 2: Obratite se korisničkoj službi.

OPREZ: RIZIK OD POŽARA/ZAPALJIV MATERIJAL



TEHNIČKI PODACI

Kapacitet: 40 litara

Napajanje:

• DC 12V / 24V – utičnica za upaljač za auto

• 230V ~50/60Hz – mrežna utičnica nakon korištenja eksternog napajanja (nije uključeno)

Rashladno sredstvo: R600a / 40g

Klimatska klasa: S / SN

Izolacija: C5H10

Nazivna potrošnja energije: 45W

Maksimalna nazivna struja: 3.7A

Zbog zaštite životne sredine. Kartonsku ambalažu i polietilenske (PE) kese baciti u odgovarajuće kontejnere za selektivno sakupljanje komunalnog otpada u skladu sa njihovim opisom. Ako se u uređaju nalaze baterije, potrebno ih je izvaditi i odnijeti na odvojeno mjesto za prikupljanje i skladištenje. Korišteni uređaj treba vratiti na odgovarajuće mjesto za prikupljanje i skladištenje, jer opasne tvari koje sadrži mogu predstavljati prijetnju zdravlju i okolišu. Oznaka na proizvodu ukazuje da se uređaj ne sme odlagati sa komunalnim otpadom. Otpadna električna oprema je otpad koji sadrži tvari štetne za ljude, životinje i okoliš. Ove tvari mogu dovesti do zagađenja tla, vode ili zraka, te mogu ući u ljudski organizam i dovesti do brojnih zdravstvenih tegoba, kao što su: poremećaji vida, sluha i govora, a mogu dovesti i do oštećenja bubrega, jetre i srca, i izazivaju kožne bolesti. Štetne tvari također mogu negativno utjecati na respiratorni i reproduktivni sistem i dovesti do raka. Potrošnja biljaka koje rastu na prituženim tlima i proizvoda dobijenih od njih može predstavljati rizik od gore navedenih zdravstvenih efekata. **Ne bacajte uređaj u kontejnere za komunalni otpad!!**

Servis Ako želite kupiti rezervne dijelove ili prijaviti reklamaciju, kontaktirajte direktno prodavca koji je izdao račun.



Упатство за употреба (МК)

ОПШТИ БЕЗБЕДНОСНИ УСЛОВИ ВАЖНИ БЕЗБЕДНОСНИ ИНСТРУКЦИИ ПРОЧИТАЈТЕ ВНИМАТЕЛНО И ЧУВАЈТЕ ЗА ИДНА РЕФЕРЕНЦА

1. Пред да го користите уредот, прочитајте го упатството за употреба и следете ги упатствата содржани во него. Производителот не е одговорен за штетата предизвикана од користење на уредот спротивно на неговата намена или неправилно работење.
2. Уредот е само за некомерцијална употреба. Не користете за други цели што не се во согласност со неговата намена.
3. Во зависност од потребата, уредот треба да се приклучи на приклучокот за запалка во автомобил со напон од 12V или 24V или на штекер од 220-240 V ~ 50-60 Hz. (во зависност од типот на уредот, изберете го соодветниот параметар за напојување).
За да ја зголемите безбедноста при работа, не поврзувајте повеќе електрични уреди на едно коло истовремено.
4. Бидете особено внимателни кога го користите уредот кога децата се во близина. Не треба да им се дозволува на децата да си играат со апаратот. Не дозволувајте деца или лица кои не се запознаени со апаратот да го користат.
5. ПРЕДУПРЕДУВАЊЕ: Оваа опрема може да ја користат деца над 8-годишна возраст и лица со намалени физички, сетилни или ментални способности, или луѓе кои немаат искуство или знаење за опремата, доколку се под надзор или им се дадени упатства за тоа како да користете ги упатствата за безбедно користење на уредот и се свесни за опасностите

поврзани со неговата употреба. Децата не треба да си играат со опремата. Чистењето и одржувањето на уредот не треба да го вршат деца освен ако се постари од 8 години и овие активности се вршат под надзор.

6. Секогаш кога ќе завршите со користење, извадете го приклучокот од штекерот држејќи го штекерот со раката. НЕ влечете го кабелот за напојување.

7. Не потопувајте го кабелот, приклучокот или целиот уред во вода или која било друга течност. Не го изложувајте уредот на временски услови (дожд, сонце, итн.) или не користете го во услови на висока влажност (бањи, влажни кампови).

8. Периодично проверувајте ја состојбата на кабелот за напојување. Ако кабелот за напојување е оштетен, треба да го замени специјалист поправка за да се избегне опасност.

9. Не користете го апаратот ако кабелот за напојување е оштетен, ако е паднат или оштетен на кој било начин или ако не работи нормално. Не поправајте го уредот сами, бидејќи тоа може да резултира со електричен удар. Однесете го оштетениот уред во соодветниот сервисен центар за проверка или поправка. Сите поправки смеат да ги вршат само овластени сервисни места. Неправилно извршените поправки може да претставуваат сериозна закана за корисникот.

10. Поставете го уредот на ладна, стабилна, рамна површина што може да ја издржи тежината на уредот и целата негова содржина, подалеку од топли кујнски апарати како што се: електричен шпорет, горилник на гас итн.

11. Не користете го уредот во близина на запаливи материјали.

12. Кабелот за напојување не смее да виси над работ на масата или да допира жешки површини.

13. За да се обезбеди дополнителна заштита, препорачливо е да се инсталира уред за преостаната струја (RCD) во електричното коло со номинална резидуална струја не поголема од 30 mA. Во овој поглед, ве молиме контактирајте со специјалист електричар.

14. Не користете го уредот ако приклучоците за поврзување се влажни.

15. Кога го користите уредот во автомобил или на брод, проверете дали функционира осигурувачот што го штити системот за напојување.

16. Заштитете го уредот од извори на топлина и сончева светлина.

17. Ставете веќе изладени производи во уредот.

18. Поставете го уредот на место со соодветна вентилација. Растојанието од другите предмети треба да биде најмалку 20 см.

19. ПРЕДУПРЕДУВАЊЕ: Не блокирајте ги отворите за вентилација во куќиштето на уредот.
20. ПРЕДУПРЕДУВАЊЕ: Заштитете го колото што го содржи ладилното средство од оштетување.
21. ПРЕДУПРЕДУВАЊЕ: Не користете или чувајте електрична опрема во преградата за складирање храна.
22. ПРЕДУПРЕДУВАЊЕ: Отворањето на вратата долго време може да предизвика значително зголемување на температурата во коморите на уредот.
23. ПРЕДУПРЕДУВАЊЕ: Редовно чистете ги површините што може да дојдат во допир со храна.
24. ПРЕДУПРЕДУВАЊЕ: Чувајте го суровото месо и рибата во одредени контејнери за да не се допираат производитите еден со друг и да не капнат врз друга храна.
25. ПРЕДУПРЕДУВАЊЕ: Ако вашиот апарат за ладење остане празен долго време, исклучете го, одмрзнете го, исчистете го, исушете го и оставете ја вратата отворена за да спречите мувла да се формира во апаратот.
26. ПРЕДУПРЕДУВАЊЕ: Не чувајте експлозивни материјали како што се запаливи конзерви од аеросол итн. во фрижидерот.
27. ПРЕДУПРЕДУВАЊЕ: Кога го поставувате апаратот, проверете дали кабелот за напојување не е притиснат од фрижидерот или оштетен.
28. ПРЕДУПРЕДУВАЊЕ: Не ставајте продолжни кабли или преносни напојувања во близина или зад уредот.
29. ПРЕДУПРЕДУВАЊЕ: Не користете механички уреди или средства за да го забрзате процесот на одмрзнување различни од оние препорачани од производителот.

Пред прва употреба: Правилна локација

1. Пред првата употреба, отстранете ја целата амбалажа и оставете најмалку 15 cm слободен простор околу уредот (5 cm на страна, 10 cm на задната страна на уредот).

2. Ставете го фрижидерот на суво и добро проветрено место. Фрижидерот треба да се чува подалеку од директна сончева светлина, радијатори и корозивни гасови.

ЗАБЕЛЕШКА: Бидејќи единицата е заснована на компресор, потребен е голем простор околу уредот за да се овозможи соодветно крварење.

ЗАБЕЛЕШКА: Не се препорачува поместување на уредот ако подот не е мазен. Не користете ако фрижидерот е наведнат. Ако фрижидерот се влече на место за употреба, поставете го исправено и почекајте 10 минути пред да го користите. Кога го преместувате фрижидерот, секогаш користете ги двете рачки за да го носите апаратот колку што е можно хоризонтално. Ова е за заштита на компресорот и запечатениот систем

ПРЕДУПРЕДУВАЊЕ: Користете најмалку две лица за преместување и ракување со оваа опрема. Ако не се следи ова предупредување може да дојде до повреда на грбот или друга повреда.

3. Ако е можно, чувајте го вашиот пренослив ладилник подалеку од топлина и директна сончева светлина.

4. Преносливиот ладилник е погоден за употреба во автомобил и кампување, но единицата не треба да биде изложена на дожд или други сурови временски услови.

5. Пренослив фрижидер не треба да се става во вграден или вдлабнатина. Уредот е дизајниран како слободно стоечки.

6. Нормалната работа на фрижидерот зависи од топлинското зрачење од кондензаторот.

7. Внатрешната површина исчистете ја со малку млека вода и мека крпа.

Забелешка: Кога го поврзувате кабелот за напојување со еднонасочна струја, проверете дали влезот е извор на напојување од 12V~DC/24V.

ВАЖНО: Не отстранувајте етикети за предупредување, предупредување или информации за производот од вашиот пренослив ладилник за автомобил.

ОПИС Преносен фрижидер - Слика А

1. Основи
2. Приклучете го приклучокот
3. Рачка
4. Рамка
5. Покривка
6. Контролна табла
7. DC кабел за напојување - За употреба додека патувате, приклучете директно во запалката на вашиот автомобил

КОНТРОЛЕН ПАНЕЛ - Слика Б

A – Копче за вклучување/исклучување

B - копче SET

B - Индикатор за напојување

D - Индикатор за грешка

E - LCD дисплеј

F – копче „+“.

G – копче „-“.

СЕРВИС

- Кога се обидува да приклучите пренослив ладилник во стандарден приклучок од 12 V, уредот нема да работи ако напонот на приклучокот е под 9,6 V Уредот ќе се рестартира кога напонот ќе достигне 12,2 V или поголем.
- Кога се обидува да го приклучите уредот во стандарден штекер од 24 V, уредот нема да работи ако напонот во штекерот е помал од 21,3 V Уредот ќе се рестартира кога напонот ќе достигне 25,2 V или поголем.
- Уредот може да се поврзе и на мрежно напојување од 230V ~50/60Hz со помош на надворешно напојување (не е вклучено). Препорачаниот модел на напојување со AC/DC е CR8076.1.

КОНТРОЛЕН ПАНЕЛ (7) - Слика Б

Вашиот пренослив фрижидер користи дигитален контролен систем за прилагодување на термостатот.

* Копче за вклучување (A) - ВКЛУЧЕНО / Исклучено

1. Поврзете го фрижидерот со напојувањето, притиснете го копчето за вклучување (A) еднаш за да го вклучите уредот.
2. Притиснете го повторно копчето за вклучување (A), фрижидерот ќе се исклучи.

* Копче SET:

Долго притиснете го копчето SET 3 секунди и внесете напредни режими:

РЕЖИМ НА ЗАШТИТА НА IVOLTAGE:

Уредот има три функции за заштита на батериите, кои го штитат нормалното функционирање на фрижидерот и ја штитат батеријата на возилото.

Овие три нивоа на заштита на батеријата:

H3 – високо ниво на заштита

за напон од 12V: запира на 10,9V и започнува на 12,2V.

за 24V напон: запира на 23,8V и започнува на 25,2V.

H2 – средно ниво на заштита

за напон од 12V: запира на 9,7V и започнува на 11,0V.

за 24V напон: запира на 21,5V и започнува на 22,9V.

H1 – ниско ниво на заштита:

за напон од 12V: запира на 9,6V и започнува на 10,9V.

за 24V напон: запира на 21,3V и започнува на 22,7V.

Кратко притиснете го копчето „+“ или „-“ за да изберете функција. Функцијата е поставена на средно ниво на заштита „H2“ кога фрижидерот е подготвен за прва употреба.

ВНИМАНИЕ:

Се препорачува да ја поставите заштитата на батеријата на H2 (средно ниво) кога уредот се користи во автомобил.

Се препорачува да ја поставите заштитата на батеријата на H2 (средно ниво) или H1 (ниско ниво) ако се работи за надворешна батерија или резервна батерија.

Поради разликата во излезниот напон од различните излези за напојување на возилото, доколку постои напонска заштита (LCD екранот покажува F1), функцијата на батеријата може да се намали на помала (H3 се префрли на H2 или H1).

* Копчето „+“ (F) се користи за зголемување на температурата или други поставки опишани погоре.

* Копчето „-“ (G) се користи за намалување на температурата или други поставки опишани погоре.

* Индикатор за напојување (C):

- Кога фрижидерот е вклучен, показното светло е црвено.

- Кога фрижидерот е исклучен, показното светло се гаси.

* Индикатор за грешка (D):

- Во случај на дефект, звучникот ќе свони постојано.

- Кодовите за грешка ќе се појават на екранот.

- Индикаторот за грешка (D) свети сино.

* LCD дисплеј (E): покажува

- Ја прикажува температурата и другите поставки.

- Кодовите за грешка може да се појават на екранот како подолу:

F1: Неуспех на напон

F2: Неуспех на струјата на вентилаторот

F3: Грешка при стартување на компресорот

F4: Дефект на минималната брзина на компресорот

F5: Грешка во температурата на контролорот

E0: Колото на сензорот е прекинато

E1: Куса врска на сензорот

LCD дисплејот ви овозможува да ја поставите температурата од -20°C до +20°C. Вистинската температура постигната внатре во уредот зависи од надворешните услови. На пример, при амбиентална температура од +25°C, најниската температура постигната внатре во уредот е -20°C. Уредот нема функција за греење.

ЗАБЕЛЕШКА: Ако системот не функционира, прво проверете дали напонот на батеријата е точен. Ако напонот на батеријата е точен, почекајте 3 минути пред да го вклучите фрижидерот. Ако системот сè уште не функционира по рестартирање на уредот, контактирајте со службата за помош.

Вообичаени температурни поставки за складирање:

- Вина (од +6 °C до +18 °C)
- Вакцини, инсулин (од + 2 °C до - 8 °C)
- Овощје (од 4°C до -6°C)
- Пијалоци (од 2°C до - 5°C)
- Месо (-10 °C)
- Сладолед (-15°C)

Внимавате ако сакате да ги чувате лековите во фрижидер. Пред да ги ставите во уредот, храната треба да се спакува во контејнери/кесички наменети за оваа намена.

ЧИСТЕЊЕ И ОДРЖУВАЊЕ

Секогаш исклучувајте го уредот пред чистење.

Чистете со мека, сува крпа користејќи благи детергенти. Не користете хемиски растворувачи бидејќи тие може

да предизвикаат трајно оштетување или деформација на уредот.

РЕШАВАЊЕ НА ПРОБЛЕМИ

Следете го упатството за решавање проблеми подолу за да ги решите вообичаените проблеми.

Проблем I: Уредот воопшто не работи и не покажува знаци на напојување.

Можна причина 1: Уредот не се напојува.

Решение за можна причина 1: Проверете дали уредот е поврзан.

Можна причина 2: Недоволна моќност.

Решение за можна причина 2: преместете го уредот во друг штекер. Проверете го прекинувачот. (Видете ја табличката со имиња на задната страна на единицата за да го одредите моменталното извлекување).

Можна причина 3: DC кабел за напојување

Решение за можна причина 4: Тестирајте го уредот со различно напојување, како што е друго возило со познат работен DC штекер.

Можна причина 4: Исклучени кабли.

Решение за можна причина 5: Контактирајте со службата за корисници.

Проблем II: Уредот испушта чудни звуци.

Можна причина 1: Уредот не е на ниво.

Решение 1: поместете го уредот на рамна, хоризонтална површина.

Проблем III: Уредот произведува силен, континуиран метален звук на кликање.

Можна причина 1: Уредот можеби е испратен настрана.

Решение 1: Исклучете го вашиот уред. Оставете го уредот на рамна површина најмалку 24 часа и рестартирајте го.

Можна причина 2: Неисправен компресор

Решение 2: Контактирајте со службата за корисници.

Проблем IV: Уредот работи некое време и потоа го исклучува кабелот за напојување или прекинувачот.

Можна причина: Уредот може да е приклучен во штекер што не дава соодветна струја.

Решение: Контактирајте со електричар ако уредот работи во друга просторија или коло.

Проблем V: Светлата на контролната табла трепкаат случајно.

Можна причина: Уредот може да има оштетена контролна табла.

Решение: рестартирајте го уредот и ако проблемот продолжи, контактирајте со поддршката за корисници.

Проблем VI: Уредот наиде на грешка HH

Можна причина: Температурата на околината надмина 40°C.

Решение: рестартирајте го уредот и ако проблемот продолжи, контактирајте со поддршката за корисници.

Проблем VII: Уредот има OS грешка.

Можна причина: Откриена е грешка на термостатот.

Решение: рестартирајте го уредот и ако проблемот продолжи, контактирајте со поддршката за корисници.

Проблем VIII: Уредот наиде на грешка во SC

Можна причина: Откриен е краток спој во термостатот.

Решение: рестартирајте го уредот и ако проблемот продолжи, контактирајте со поддршката за корисници.

Проблем IX: Уредот се напојува, но компресорот не работи.

Можна причина 1: Температурата на околината е премногу ниска.

Решение 1: преместете го уредот на потопло место.

Можна причина 2: Исклучен кабел.

Решение 2: Контактирајте со службата за корисници.

ВНИМАНИЕ: РИЗИК ОД ПОЖАР/ЗАПАЛИЛНИ МАТЕРИЈАЛИ



ТЕХНИЧКИ ПОДАТОЦИ

Капацитет: 40 литри

Напојување:

- DC 12V / 24V – приклучок за запалка за автомобил
- 230V ~50/60Hz – приклучок за струја по користење на надворешно напојување (не е вклучено)

Ладишно средство: R600a / 40 g
Климатска класа: S / SN
Изолација: C5H10
Номинална потрошувачка на енергија: 45W
Максимална номинална струја: 3,7A



За доброто на животната средина. Картонската амбалажа и полиетиленските (PE) кеси треба да се фрлаат во соодветни контејнери наменети за селективно собирање на комуналниот отпад во согласност со нивниот опис. Доколку има батерии во уредот, тие треба да се отстранат и да се однесат во место за собирање и складирање посебно. Употребениот уред треба да се врати во соодветно место за собирање и складирање, бидејќи опасните материи што ги содржи може да претставуваат закана за здравјето и животната средина. Означката на производот покажува дека уредот не треба да се фрла со комуналниот отпад. Отпадната електрична опрема е отпад кој содржи супстанции штетни за луѓето, животните и животната средина. Овие супстанции може да доведат до загадување на почвата, водата или воздухот, а со тоа може да навлезат во човечкото тело и да доведат до бројни здравствени заболувања, како што се: нарушувања на видот, слухот и говорот, а може да доведат и до оштетување на бубрезите, црниот дроб и срцето, и предизвикуваат репродуктивниот систем и да доведат до рак. Потрошувачката на растенија кои растат на пожалените почви и производи добиени од нив може да претставува ризик од горенаведените здравствени ефекти. **Не фрлајте го уредот во контејнери за комунален отпад!!**
Сервис Ако сакате да купите резервни делови или да пријавите какви било поплаки, контактирајте директно со продавачот кој ја издал сметката.

Korisnički priručnik (HR)

OPĆI SIGURNOSNI UVJETI VAŽNE SIGURNOSNE UPUTE PAŽLJIVO PROČITAJTE I SAČUVAJTE ZA BUDUĆU REFERENCU

1. Prije uporabe uređaja pročitajte korisnički priručnik i slijedite upute sadržane u njemu. Proizvođač ne snosi odgovornost za štetu nastalu korištenjem uređaja protivno namjeni ili nestručnim radom.
2. Uređaj je samo za nekomercijalnu upotrebu. Nemojte koristiti u druge svrhe koje nisu u skladu s njegovom predviđenom svrhom.
3. Ovisno o potrebi, uređaj treba spojiti na utičnicu upaljača za cigarete u automobilu s naponom od 12V ili 24V ili na mrežnu utičnicu 220-240 V ~ 50-60 Hz. (ovisno o vrsti uređaja odaberite odgovarajući parametar snage). Kako biste povećali radnu sigurnost, nemojte spajati više električnih uređaja na jedan strujni krug u isto vrijeme.
4. Budite posebno oprezni kada koristite uređaj kada su u blizini djeca. Djeci se ne smije dopustiti da se igraju s uređajem. Nemojte dopustiti da ga koriste djeca ili osobe koje nisu poznate s njim.

5. UPOZORENJE: Ovu opremu mogu koristiti djeca starija od 8 godina i osobe sa smanjenim fizičkim, osjetilnim ili mentalnim sposobnostima, ili osobe koje nemaju dovoljno iskustva ili znanja o opremi, ako su pod nadzorom ili ako su dobili upute o tome kako koristiti opremu, upute o sigurnoj uporabi uređaja i upoznati su s opasnostima povezanim s njegovom uporabom. Djeca se ne bi trebala igrati s opremom. Čišćenje i održavanje uređaja ne smiju obavljati djeca osim ako su starija od 8 godina i te se aktivnosti obavljaju pod nadzorom.
6. Kad god završite s korištenjem, izvadite utikač iz utičnice držeći utičnicu rukom. NEMOJTE povlačiti kabel za napajanje.
7. Nemojte uranjati kabel, utikač ili cijeli uređaj u vodu ili bilo koju drugu tekućinu. Nemojte izlagati uređaj vremenskim uvjetima (kiša, sunce, itd.) niti ga koristiti u uvjetima visoke vlažnosti (kupaonice, vlažne kućice za kampiranje).
8. Povremeno provjeravajte stanje kabela za napajanje. Ako je kabel za napajanje oštećen, trebao bi ga zamijeniti specijalizirani servis kako bi se izbjegla opasnost.
9. Nemojte koristiti uređaj ako je kabel za napajanje oštećen, ako je pao ili je na bilo koji način oštećen ili ako ne radi normalno. Nemojte sami popravljati uređaj jer to može dovesti do strujnog udara. Odnosite oštećeni uređaj u odgovarajući servisni centar na pregled ili popravak. Sve popravke smiju obavljati samo ovlašteni servisi. Neproписno izvedeni popravci mogu predstavljati ozbiljnu prijetnju korisniku.
10. Postavite uređaj na hladnu, stabilnu, ravnu površinu koja može podnijeti težinu uređaja i cijelog njegovog sadržaja, dalje od vrućih kuhinjskih uređaja kao što su: električni štednjak, plinski plamenik, itd.
11. Ne koristite uređaj u blizini zapaljivih materijala.
12. Kabel za napajanje ne smije visjeti preko ruba stola niti dodirivati vruće površine.
13. Kako bi se osigurala dodatna zaštita, preporučljivo je ugraditi uređaj za zaostalu struju (RCD) u električni krug s nazivnom zaostalom strujom koja ne prelazi 30 mA. U tom smislu obratite se stručnom električaru.
14. Ne koristite uređaj ako su priključne utičnice mokre.
15. Kada koristite uređaj u automobilu ili na brodu, provjerite radi li osigurač koji štiti sustav napajanja.
16. Zaštitite uređaj od izvora topline i sunčeve svjetlosti.
17. Već ohlađene proizvode staviti u uređaj.
18. Postavite uređaj na mjesto s odgovarajućom ventilacijom. Udaljenost od

drugih predmeta treba biti najmanje 20 cm.

19. UPOZORENJE: Nemojte blokirati ventilacijske otvore na kućištu uređaja.

20. UPOZORENJE: Zaštitite krug koji sadrži rashladno sredstvo od oštećenja.

21. UPOZORENJE: Nemojte koristiti ili spremati električnu opremu unutar odjeljka za pohranu hrane.

22. UPOZORENJE: Dugotrajno otvaranje vrata može uzrokovati značajno povećanje temperature u komorama uređaja.

23. UPOZORENJE: Redovito čistite površine koje mogu doći u dodir s hranom.

24. UPOZORENJE: Sirovo meso i ribu čuvajte u za to predviđenim posudama tako da proizvodi ne dodiruju jedni druge i da ne kapaju na drugu hranu.

25. UPOZORENJE: Ako je vaš rashladni uređaj duže vrijeme prazan, isključite ga, odmrznite, očistite, osušite i ostavite otvorena vrata kako biste spriječili stvaranje plijesni u uređaju.

26. UPOZORENJE: Nemojte pohranjivati eksplozivne materijale poput zapaljivih aerosolnih limenki, itd. unutar hladnjaka.

27. UPOZORENJE: Prilikom postavljanja uređaja pazite da hladnjak ne priklješti ili ošteti kabel za napajanje.

28. UPOZORENJE: Ne stavljajte produžne kabele ili prijenosne izvore napajanja blizu ili iza uređaja.

29. UPOZORENJE: Nemojte koristiti mehaničke uređaje ili sredstva za ubrzavanje procesa odmrzavanja osim onih koje preporučuje proizvođač.

Prije prve uporabe: Pravilno mjesto

1. Prije prve uporabe uklonite svu ambalažu i ostavite najmanje 15 cm slobodnog prostora oko uređaja (5 cm sa strane, 10 cm sa stražnje strane uređaja).

2. Stavite hladnjak na suho i dobro prozračeno mjesto. Hladnjak treba čuvati dalje od izravne sunčeve svjetlosti, radijatora i korozivnih plinova.

NAPOMENA: Budući da se jedinica temelji na kompresoru, potreban je veliki prostor oko jedinice kako bi se omogućilo pravilno odzračivanje.

NAPOMENA: Ne preporučuje se pomicanje uređaja ako pod nije gladak. Nemojte koristiti ako je hladnjak nagnut.

Ako se hladnjak odvuče na mjesto za korištenje, postavite ga uspravno i pričekajte 10 minuta prije nego što ga upotrijebite. Kada premještate hladnjak, uvijek koristite obje ručke kako biste uređaj nosili što vodoravnije. Ovo služi za zaštitu kompresora i zatvorenog sustava

UPOZORENJE: Za premještanje i rukovanje ovom opremom koristite najmanje dvije osobe. Nepoštivanje ovog upozorenja može dovesti do ozljeda leđa ili druge ozljede.

3. Ako je moguće, pohranite prijenosni hladnjak dalje od topline i izravne sunčeve svjetlosti.

4. Prijenosni hladnjak prikladan je za korištenje u automobilu i kampiranju, ali jedinica ne smije biti izložena kiši ili drugim teškim vremenskim uvjetima.

5. Prijenosni hladnjak ne smije se stavljati u ugrađeni prostor ili nišu. Uređaj je dizajniran kao samostojeći.

6. Normalan rad hladnjaka ovisi o toplinskom zračenju iz kondenzatora.

7. Očistite unutarnju površinu s malo mlake vode i mekom krpom.

Napomena: Prilikom spajanja DC kabela za napajanje, provjerite je li ulaz 12V~DC/24V izvor napajanja.

VAŽNO: Nemojte uklanjati nikakva upozorenja, naljepnice s upozorenjima ili podacima o proizvodu s vašeg prijenosnog hladnjaka za automobil.

OPIS Prijenosni hladnjak - Slika A

1. Osnove
2. Utičnica
3. Ručka
4. Okvir
5. Poklopac
6. Upravljačka ploča
7. Kabel za napajanje istosmjernom strujom - Za korištenje tijekom putovanja, priključite ga izravno u upaljač za cigarete u automobilu

UPRAVLJAČKA PLOČA - Slika B

A – Tipka za uključivanje/isključivanje

B - tipka SET

C - Indikator napajanja

D - Indikator greške

E - LCD zaslon

F – gumb "+".

G – gumb "-".

SERVIS

- Prilikom pokušaja uključivanja prijenosnog hladnjaka u standardnu utičnicu od 12 V, jedinica neće raditi ako je napon utičnice ispod 9,6 V, jedinica će se ponovno pokrenuti kada napon dosegne 12,2 V ili više.
- Prilikom pokušaja uključivanja uređaja u standardnu utičnicu od 24 V, uređaj neće raditi ako je napon u utičnici manji od 21,3 V, uređaj će se ponovno pokrenuti kada napon dosegne 25,2 V ili više.
- Uređaj se također može spojiti na 230V ~50/60Hz mrežno napajanje pomoću vanjskog napajanja (nije uključeno). Preporučeni model AC/DC napajanja je CR8076.1.

UPRAVLJAČKA PLOČA (7) - Slika B

Vaš prijenosni hladnjak koristi digitalni kontrolni sustav za podešavanje termostata.

* Gumb za napajanje (A) - UKLJUČEN / Isključeno

1. Spojite hladnjak na napajanje, jednom pritisnite tipku za uključivanje (A) kako biste uključili uređaj.
2. Ponovno pritisnite tipku za napajanje (A), hladnjak će se isključiti.

*Gumb SET:

Dugo pritisnite tipku SET 3 sekunde i uđite u napredne načine rada:

NAPONSKI NAČIN ZAŠTITE:

Uređaj ima tri funkcije zaštite baterije, koje štite normalan rad hladnjaka i štite bateriju vozila.

Ove tri razine zaštite baterije:

H3 – visoka razina zaštite

za 12V napon: zaustavlja se na 10,9V i počinje na 12,2V.

za 24V napon: zaustavlja se na 23,8V i počinje na 25,2V.

H2 – srednji stupanj zaštite

za 12V napon: zaustavlja se na 9,7V i počinje na 11,0V.

za 24V napon: zaustavlja se na 21,5V i počinje na 22,9V.

H1 – niska razina zaštite:

za 12V napon: zaustavlja se na 9,6V i počinje na 10,9V.

za 24V napon: zaustavlja se na 21,3V i počinje na 22,7V.

Kratko pritisnite gumb "+" ili "-" za odabir funkcije. Funkcija je postavljena na srednji stupanj zaštite "H2" kada je hladnjak spreman za prvu uporabu.

PAŽNJA:

Preporuča se postaviti zaštitu baterije na H2 (srednja razina) kada se uređaj koristi u automobilu.

Preporuča se postaviti zaštitu baterije na H2 (srednja razina) ili H1 (niska razina) ako se radi o vanjskoj bateriji ili rezervnoj bateriji.

Zbog razlike u izlaznom naponu iz različitih izlaza napajanja vozila, ako postoji zaštita od napona (LCD zaslon prikazuje F1), funkcija baterije može biti smanjena na nižu (H3 se prebacuje na H2 ili H1).

* Gumb "+" (F) koristi se za povećanje temperature ili drugih gore opisanih postavki.

* Tipka "-" (G) koristi se za snižavanje temperature ili drugih gore opisanih postavki.

* Indikator napajanja (C):

- Kada je hladnjak uključen, svjetlo indikatora svijetli crveno.

- Kada je hladnjak isključen, lampica se gasi.

* Indikator greške (D):

- U slučaju kvara, zujalica će zvoniti neprekidno.

- Kodovi grešaka će se pojaviti na ekranu.

- Indikator greške (D) svijetli plavo.

* LCD zaslon (E): prikazuje

- Prikazuje temperaturu i druge postavke.

- Kodovi grešaka mogu se pojaviti na ekranu kao u nastavku:

F1: Kvar napona

F2: Kvar struje ventilatora

F3: Pogreška pokretanja kompresora

F4: Kvar minimalne brzine kompresora

F5: Pogreška temperature regulatora

E0: Krug senzora prekinut

E1: Kratki spoj senzora

LCD zaslon omogućuje podešavanje temperature od -20 °C do +20 °C. Stvarna temperatura postignuta unutar uređaja ovisi o vanjskim uvjetima. Na primjer, pri temperaturi okoline od +25 °C, najniža postignuta temperatura unutar uređaja je -20 °C. Uređaj nema funkciju grijanja.

NAPOMENA: Ako sustav ne radi ispravno, prvo provjerite je li napon baterije ispravan. Ako je napon baterije ispravan, pričekajte 3 minute prije nego što uključite hladnjak. Ako sustav i dalje ne radi ispravno nakon ponovnog pokretanja uređaja, obratite se servisu za pomoć.

Uobičajene postavke temperature za skladištenje:

• Vina (od +6 °C do +18 °C)

• Cjepiva, inzulin (od +2 °C do -8 °C)

• Voće (od 4°C do -6°C)

• Pića (od 2 °C do -5 °C)

• Meso (-10 °C)

• Sladoled (-15 °C)

Budite oprezni ako lijekove želite čuvati u hladnjaku. Prije nego što ih stavite u uređaj, hranu treba zapakirati u za to predviđene posude/vrećice.

ČIŠĆENJE I ODRŽAVANJE

Prije čišćenja uvijek isključite uređaj iz struje.

Čistite mekom, suhom krpom s blagim deterdžentima. Nemojte koristiti kemijska otapala jer mogu uzrokovati trajno oštećenje ili deformaciju uređaja.

RJEŠAVANJE PROBLEMA

Slijedite donji vodič za rješavanje problema kako biste riješili uobičajene probleme.

Problem 1: Uređaj uopće ne radi i ne pokazuje znakove napajanja.

Mogući uzrok 1: Uređaj ne prima napajanje.

Rješenje mogućeg uzroka 1: Provjerite je li uređaj povezan.

Mogući uzrok 2: Nedovoljna snaga.

Rješenje mogućeg uzroka 2: Premjestite uređaj u drugu utičnicu. Provjerite strujni prekidač. (Pogledajte natpisnu pločicu na stražnjoj strani jedinice kako biste odredili trenutnu potrošnju).

Mogući uzrok 3: DC kabel za napajanje

Rješenje za mogući uzrok 4: Testirajte uređaj s drugim izvorom napajanja, kao što je drugo vozilo s poznatom ispravnom DC utičnicom.

Mogući uzrok 4: Odspojeni kabeli.

Rješenje za mogući uzrok 5: Obratite se korisničkoj službi.

Problem II: Uređaj ispušta čudne zvukove.

Mogući uzrok 1: Uređaj nije niveliran.

Rješenje 1: Pomaknite uređaj na ravnu vodoravnu površinu.

Problem III: Uređaj proizvodi glasno, kontinuirano metalno škljocanje.

Mogući uzrok 1: Jedinica je možda poslana bočno.

1. rješenje: Isključite uređaj. Ostavite uređaj na ravnoj površini najmanje 24 sata i ponovno ga pokrenite.

Mogući uzrok 2: Neispravan kompresor

Rješenje 2: Obratite se korisničkoj službi.

Problem IV: Uređaj radi neko vrijeme, a zatim okida strujni kabel ili prekidač.

Mogući uzrok: Uređaj je možda uključen u utičnicu koja ne daje odgovarajuću struju.

Rješenje: Obratite se električaru ako jedinica radi u drugoj prostoriji ili krugu.

Problem V: Svjetla na upravljačkoj ploči nasumično bljeskaju.

Mogući uzrok: Uređaj može imati oštećenu upravljačku ploču.

Rješenje: ponovno pokrenite uređaj i ako se problem nastavi, obratite se korisničkoj podršci.

Problem VI: Uređaj je naišao na HH pogrešku

Mogući uzrok: Temperatura okoline je premašila 40 °C.

Rješenje: ponovno pokrenite uređaj i ako se problem nastavi, obratite se korisničkoj podršci.

Problem VII: Uređaj ima OC grešku.

Mogući uzrok: Otkrivena greška termostata.

Rješenje: Ponovno pokrenite uređaj i ako se problem nastavi, obratite se korisničkoj podršci.

Problem VIII: Uređaj je naišao na SC grešku

Mogući uzrok: Otkriven je kratki spoj u termostatu.

Rješenje: ponovno pokrenite uređaj i ako se problem nastavi, obratite se korisničkoj podršci.

Problem IX: Uređaj je pod naponom, ali kompresor ne radi.

Mogući uzrok 1: Temperatura okoline je preniska.

Rješenje 1: Premjestite uređaj na toplije mjesto.

Mogući uzrok 2: Odspojen kabel.

Rješenje 2: Obratite se korisničkoj službi.

OPREZ: RIZIK OD POŽARA/ZAPALJIVI MATERIJALI



TEHNIČKI PODACI

Kapacitet: 40 litara

Napajanje:

• DC 12V / 24V – utičnica za auto upaljač

• 230V ~50/60Hz – mrežna utičnica nakon korištenja vanjskog napajanja (nije uključeno)

Rashladno sredstvo: R600a / 40g

Klimatski razred: S / SN

Izolacija: C5H10

Nazivna potrošnja energije: 45W

Najveća nazivna struja: 3,7A



Za dobrobit okoliša. Kartonsku ambalažu i polietilenske (PE) vrećice odlagati u odgovarajuće spremnike namijenjene selektivnom prikupljanju komunalnog otpada prema njihovom opisu. Ako u uređaju ima baterija, potrebno ih je izvaditi i odvojeno odnijeti na mjesto za prikupljanje i skladištenje. Iskorišteni uređaj treba vratiti na odgovarajuće mjesto za prikupljanje i skladištenje jer opasne tvari koje sadrži mogu predstavljati prijetnju zdravlju i okolišu. Oznaka na proizvodu označava da se uređaj ne smije odlagati s komunalnim otpadom. Otpadna električna oprema je otpad koji sadrži tvari štetne za ljude, životinje i okoliš. Ove tvari mogu dovesti do onečišćenja tla, vode ili zraka te tako dospjeti u ljudski organizam i dovesti do brojnih zdravstvenih tegoba kao što su: poremećaji vida, sluha i govora, a mogu dovesti i do oštećenja bubrega, jetre i srca, i uzrokuju kožne bolesti. Štetne tvari također mogu imati negativan učinak na dišni i reproduktivni sustav te dovesti do raka. Konzumacija biljaka koje rastu na zaraženom tlu i proizvoda dobivenih od njih može predstavljati rizik od gore navedenih zdravstvenih učinaka. **Ne bacajte uređaj u kontejnere za komunalni otpad!!**

Servis Ako želite kupiti rezervne dijelove ili prijaviti bilo kakvu reklamaciju, obratite se izravno prodavaču koji je izdao račun.

Керівництво користувача (UK)

ЗАГАЛЬНІ УМОВИ БЕЗПЕКИ ВАЖЛИВІ ІНСТРУКЦІЇ З БЕЗПЕКИ ПРОЧИТАЙТЕ УВАЖНО ТА ЗБЕРІГАЙТЕ ДЛЯ ДОВІДКУ В МАЙБУТНЬОМУ

1. Перед використанням пристрою прочитайте посібник користувача та дотримуйтеся вказівок, що містяться в ньому. Виробник не несе відповідальності за шкоду, спричинену використанням пристрою не за призначенням або неналежною експлуатацією.
2. Пристрій лише для некомерційного використання. Не використовуйте для будь-яких інших цілей, несумісних з його призначенням.
3. Залежно від потреби, пристрій слід підключати до розетки прикурювача в автомобілі з напругою 12 В або 24 В, або до розетки мережі 220-240 В ~ 50-60 Гц. (в залежності від типу приладу вибрати відповідний параметр потужності). Щоб підвищити безпеку експлуатації, не підключайте кілька електричних пристроїв до одного ланцюга одночасно.
4. Будьте особливо обережні, користуючись пристроєм, коли поруч знаходяться діти. Не дозволяйте дітям гратися з пристроєм. Не дозволяйте дітям або особам, які не знайомі з пристроєм, користуватися ним.
5. **ПОПЕРЕДЖЕННЯ:** Це обладнання можуть використовувати діти віком від 8 років та особи з обмеженими фізичними, сенсорними чи розумовими здібностями, або люди, які не мають досвіду чи знань про обладнання, якщо вони знаходяться під наглядом або отримали інструкції

щодо того, як використовувати обладнання та знати про небезпеку, пов'язану з його використанням. Діти не повинні гратися з обладнанням. Очищення та обслуговування пристрою не повинні виконувати діти, якщо вони не старші 8 років, і ці дії виконуються під наглядом.

6. Щоразу, коли ви закінчите користуватися ним, вийміть вилку з розетки, тримаючи розетку рукою. НЕ тягніть за шнур живлення.

7. Не занурюйте кабель, вилку або весь пристрій у воду чи будь-яку іншу рідину. Не піддавайте пристрій впливу погодних умов (дощ, сонце тощо) і не використовуйте його в умовах високої вологості (ванні кімнати, вологі будиночки).

8. Періодично перевіряйте стан шнура живлення. Якщо шнур живлення пошкоджено, його слід замінити в спеціалізованому сервісному центрі, щоб уникнути небезпеки.

9. Не використовуйте прилад, якщо шнур живлення пошкоджений, якщо він упав або пошкоджений будь-яким чином, або якщо він не працює належним чином. Не ремонтуйте пристрій самостійно, оскільки це може призвести до ураження електричним струмом. Віднесіть пошкоджений пристрій до відповідного сервісного центру для перевірки або ремонту. Усі ремонти можуть виконуватися лише авторизованими сервісними центрами. Неправильно виконаний ремонт може становити серйозну загрозу для користувача.

10. Розмістіть пристрій на прохолодній, стійкій, рівній поверхні, яка може витримати вагу пристрою та всього його вмісту, подалі від гарячих кухонних приладів, таких як: електрична плита, газовий пальник тощо.

11. Не використовуйте пристрій поблизу легкозаймистих матеріалів.

12. Шнур живлення не повинен звисати з краю столу або торкатися гарячих поверхонь.

13. Для забезпечення додаткового захисту в електричному ланцюзі бажано встановити пристрій захисного відключення (УЗО) з номінальним залишковим струмом, що не перевищує 30 мА. З цього приводу зверніться до спеціаліста-електрика.

14. Не використовуйте пристрій, якщо з'єднувальні гнізда вологі.

15. Під час використання пристрою в автомобілі або на човні перевірте, чи справний запобіжник, що захищає систему живлення.

16. Захищайте пристрій від джерел тепла та сонячного світла.

17. Вже охолоджені продукти закладаємо в прилад.

18. Розмістіть пристрій у місці з належною вентиляцією. Відстань від інших предметів повинна бути не менше 20 см.

19. **ПОПЕРЕДЖЕННЯ:** Не закривайте вентиляційні отвори в корпусі пристрою.
20. **ПОПЕРЕДЖЕННЯ:** Захистіть контур, що містить холодоагент, від пошкодження.
21. **ПОПЕРЕДЖЕННЯ:** не використовуйте та не зберігайте електричне обладнання всередині відділення для зберігання продуктів.
22. **ПОПЕРЕДЖЕННЯ:** Відчинені дверцята протягом тривалого часу можуть призвести до значного підвищення температури в камерах пристрою.
23. **ПОПЕРЕДЖЕННЯ:** регулярно очищуйте поверхні, які можуть контактувати з їжею.
24. **ПОПЕРЕДЖЕННЯ:** Зберігайте сире м'ясо та рибу у спеціально призначених контейнерах, щоб продукти не торкалися один одного та не капали на інші продукти.
25. **ПОПЕРЕДЖЕННЯ:** Якщо ваш холодильний прилад залишився порожнім протягом тривалого часу, вимкніть його, розморозьте, очистіть, висушіть і залиште дверцята відкритими, щоб запобігти утворенню цвілі в приладі.
26. **ПОПЕРЕДЖЕННЯ:** Не зберігайте в холодильнику вибухові речовини, такі як легкозаймисті аерозольні балончики тощо.
27. **ПОПЕРЕДЖЕННЯ:** розташовуючи прилад, переконайтеся, що шнур живлення не защемлений холодильником і не пошкоджений.
28. **ПОПЕРЕДЖЕННЯ:** Не розташовуйте подовжувачі або портативні блоки живлення поблизу або позаду пристрою.
29. **ПОПЕРЕДЖЕННЯ:** не використовуйте механічні пристрої чи засоби для прискорення процесу розморожування, окрім рекомендованих виробником.

Перед першим використанням: правильне розташування

1. Перед першим використанням видаліть всю упаковку та залиште принаймні 15 см вільного простору навколо пристрою (5 см збоку, 10 см ззаду пристрою).

2. Розмістіть холодильник у сухому та добре провітрюваному місці. Холодильник слід зберігати подалі від прямих сонячних променів, радіаторів і корозійних газів.

ПРИМІТКА. Оскільки пристрій базується на компресорі, навколо нього потрібен великий простір для забезпечення належного видалення.

ПРИМІТКА: Не рекомендується переміщати пристрій, якщо підлога нерівна. Не використовуйте, якщо холодильник нахилений. Якщо холодильник перетягнули на місце для використання, поставте його вертикально та зачекайте 10 хвилин, перш ніж використовувати. Переносячи холодильник, завжди використовуйте обидві ручки, щоб переносити прилад якомога горизонтальніше. Це для захисту компресора та герметичної системи

ПОПЕРЕДЖЕННЯ: Для переміщення та керування цим обладнанням використовуйте щонайменше дві людини. Недотримання цього попередження може призвести до травми спини чи інших травм.

3. Якщо можливо, зберігайте портативний кулер подалі від тепла та прямих сонячних променів.

4. Портативний кулер підходить для використання в автомобілі та в кемпінгу, але пристрій не слід піддавати

впливу дощу чи інших суворих погодних умов.

5. Портативний холодильник не можна розміщувати у вбудованому або нішому місці. Пристрій був розроблений як окремо стоячий.

6. Нормальна робота холодильника залежить від теплового випромінювання конденсатора.

7. Очистіть внутрішню поверхню теплою водою та м'якою тканиною.

Примітка. Під'єднуючи шнур живлення постійного струму, переконайтеся, що вхід є джерелом живлення 12 В ~ DC/24 В.

ВАЖЛИВО: не знімайте жодних попереджень, попереджень або ярликів із інформацією про продукт із портативного автомобільного холодильника.

ОПИС Портативний холодильник - Малюнок А

1. Основи 2. Розетка

3. Ручка 4. Каркас

5. Обкладинка 6. Панель керування

7. Шнур живлення постійного струму - для використання під час подорожі підключайте його безпосередньо до прикурювача автомобіля

ПАНЕЛЬ КЕРУВАННЯ - Малюнок В

A – кнопка увімкнення/вимкнення живлення

B - кнопка SET

C - Індикатор живлення

D - Індикатор помилки

E - рідкокристалічний дисплей

F – кнопка «+».

G – кнопка «-».

СЕРВІС

- При спробі підключити портативний кулер до стандартної розетки 12 В, пристрій не працюватиме, якщо напруга в розетці буде нижче 9,6 В, пристрій перезапуститься, коли напруга досягне 12,2 В або вище.
- При спробі підключити пристрій до стандартної розетки 24 В, пристрій не працюватиме, якщо напруга в розетці менше 21,3 В, пристрій перезапуститься, коли напруга досягне 25,2 В або вище.
- Пристрій також можна підключити до мережі 230 В ~ 50/60 Гц за допомогою зовнішнього джерела живлення (не входить у комплект). Рекомендована модель джерела живлення змінного/постійного струму – CR8076.1.

ПАНЕЛЬ КЕРУВАННЯ (7) - Малюнок В

Ваш портативний холодильник використовує цифрову систему керування для регулювання термостата.

* Кнопка живлення (A) - ON / Вимк

1. Підключіть холодильник до джерела живлення, натисніть один раз кнопку живлення (A), щоб увімкнути пристрій.

2. Натисніть кнопку живлення (A) ще раз, холодильник вимкнеться.

*Кнопка SET:

Тривале натискання кнопки SET протягом 3 секунд і перехід до розширених режимів:

РЕЖИМ ЗАХИСТУ ВІД НАПРУГИ:

Пристрій має три функції захисту акумулятора, які захищають нормальну роботу холодильника та захищають акумулятор автомобіля.

Ці три рівні захисту акумулятора:

H3 – високий рівень захисту

для напруги 12 В: зупиняється при 10,9 В і починається при 12,2 В.

для напруги 24 В: зупиняється при 23,8 В і починається при 25,2 В.

H2 – середній рівень захисту

для напруги 12 В: зупиняється при 9,7 В і починається при 11,0 В.

для напруги 24 В: зупиняється при 21,5 В і починається при 22,9 В.

H1 – низький рівень захисту:

для напруги 12 В: зупиняється на 9,6 В і починається на 10,9 В.

для напруги 24 В: зупиняється при 21,3 В і починається при 22,7 В.

Коротко натисніть кнопку «+» або «-», щоб вибрати функцію. Функція встановлюється на середній рівень захисту «H2», коли холодильник готовий до першого використання.

УВАГА:

Рекомендується встановити захист акумулятора на H2 (середній рівень), коли пристрій використовується в автомобілі.

Рекомендується встановити захист акумулятора на H2 (середній рівень) або H1 (низький рівень), якщо це зовнішній акумулятор або запасний акумулятор.

Через різницю вихідної напруги від різних виходів джерела живлення автомобіля, якщо є захист від напруги (РК-дисплей показує F1), функція батареї може бути знижена до нижчої (H3 перемикається на H2 або H1).

* Кнопка «+» (F) використовується для підвищення температури або інших параметрів, описаних вище.

* Кнопка «-» (G) використовується для зниження температури або інших налаштувань, описаних вище.

* Індикатор живлення (C):

- Коли холодильник увімкнено, індикатор горить червоним кольором.

- Коли холодильник вимкнено, індикатор гасне.

* Індикатор помилки (D):

- У разі несправності зумер дзвонить безперервно.

- На екрані з'являться коди несправностей.

- Індикатор помилки (D) світиться синім.

* РК-дисплей (E): показує

- Відображає температуру та інші налаштування.

- На екрані можуть з'являтися коди несправностей, як показано нижче:

F1: Збій напруги

F2: Збій струму вентилятора

F3: Помилка запуску компресора

F4: Збій мінімальної швидкості компресора

F5: Помилка температури контролера

E0: Розрив ланцюга датчика

E1: Коротке замикання датчика

РК-дисплей дозволяє встановити температуру від -20°C до +20°C. Фактична температура, досягнута всередині пристрою, залежить від зовнішніх умов. Наприклад, за температури навколишнього середовища +25 °C найнижча температура всередині пристрою становить -20 °C. Прилад не має функції обігріву.

ПРИМІТКА. Якщо система не працює, спочатку перевірте, чи правильна напруга акумулятора. Якщо напруга акумулятора правильна, зачекайте 3 хвилини, перш ніж увімкнути холодильник. Якщо після перезапуску пристрою система все ще не працює, зверніться по допомогу до служби підтримки.

Загальні налаштування температури для зберігання:

• Вина (від +6 °C до +18 °C)

• Вакцини, інсулін (від + 2 °C до - 8 °C)

• Фрукти (від 4°C до -6°C)

• Напої (від 2 °C до - 5 °C)

• М'ясо (-10°C)

• Морозиво (-15°C)

Будьте обережні, якщо ви хочете зберігати ліки в холодильнику. Перш ніж помістити їх у пристрій, продукти повинні бути упаковані в контейнери/пакети, призначені для цих цілей.

ЧИЩЕННЯ ТА ОБСЛУГОВУВАННЯ

Перед чищенням завжди від'єднуйте пристрій від мережі.

Очищуйте м'якою сухою тканиною з м'якими миючими засобами. Не використовуйте хімічні розчинники, оскільки вони можуть призвести до незворотного пошкодження або деформації пристрою.

ВИРІШЕННЯ ПРОБЛЕМ

Дотримуйтеся наведеного нижче посібника з усунення несправностей, щоб вирішити типові проблеми.

Проблема I: Пристрій взагалі не працює і не показує ознак живлення.

Можлива причина 1: пристрій не отримує живлення.

Рішення можливої причини 1: переконайтеся, що пристрій підключено.

Можлива причина 2: Недостатня потужність.

Рішення можливої причини 2: Перемістіть пристрій до іншої розетки. Перевірте автоматичний вимикач. (Див. таблицю на задній панелі пристрою, щоб визначити споживання струму).

Можлива причина 3: кабель живлення постійного струму

Рішення можливої причини 4: перевірте пристрій з іншим джерелом живлення, наприклад іншим транспортним засобом із завідомо справною розеткою постійного струму.

Можлива причина 4: Відключені кабелі.

Рішення можливої причини 5: Зверніться до служби підтримки клієнтів.

Проблема II: пристрій видає дивні звуки.

Можлива причина 1: пристрій не вирівняно.

Рішення 1. Перемістіть пристрій на рівну горизонтальну поверхню.

Проблема III: Пристрій видає гучний безперервний металевий клацаючий звук.

Можлива причина 1: Можливо, пристрій було відправлено вбік.

Рішення 1. Вимкніть пристрій. Залиште пристрій на рівній поверхні принаймні на 24 години та перезапустіть його.

Можлива причина 2: Несправний компресор

Рішення 2. Зверніться до служби підтримки клієнтів.

Проблема IV: пристрій працює деякий час, а потім спрацьовує шнур живлення або автоматичний вимикач.

Можлива причина: пристрій може бути підключено до розетки, яка не подає достатнього струму.

Рішення: зверніться до електрика, якщо пристрій працює в іншій кімнаті або в іншій схемі.

Проблема V: індикатори панелі керування блимають безладно.

Можлива причина: у пристрою може бути пошкоджена панель керування.

Рішення: перезапустіть пристрій і, якщо проблема не зникне, зверніться до служби підтримки клієнтів.

Проблема VI: пристрій виявив помилку HH

Можлива причина: температура навколишнього середовища перевищила 40 °C.

Рішення: перезапустіть пристрій і, якщо проблема не зникне, зверніться до служби підтримки клієнтів.

Проблема VII: пристрій має помилку OC.

Можлива причина: виявлено помилку термостата.

Рішення: перезапустіть пристрій і, якщо проблема не зникне, зверніться до служби підтримки клієнтів.

Проблема VIII: пристрій виявив помилку SC

Можлива причина: в термостаті виявлено коротке замикання.

Рішення: перезапустіть пристрій і, якщо проблема не зникне, зверніться до служби підтримки клієнтів.

Проблема IX: Пристрій живиться, але компресор не працює.

Можлива причина 1: Температура навколишнього середовища занадто низька.

Рішення 1. Перемістіть пристрій у тепліше місце.

Можлива причина 2: Відключений кабель.

Рішення 2. Зверніться до служби підтримки клієнтів.

УВАГА: РИЗИК ПОЖЕЖИ/ЛЕГКОЗАЙМИСТІ МАТЕРІАЛИ



ТЕХНІЧНІ ДАНІ

Ємність: 40 літрів

Джерело живлення:

• DC 12V / 24V – гніздо автомобільного прикурювача

• 230 V ~ 50/60 Гц – розетка після використання зовнішнього джерела живлення (не входить в комплект)

Холодоагент: R600a / 40г

Кліматичний клас: S / SN

Ізоляція: C5H10

Номінальна споживана потужність: 45 Вт

Максимальний номінальний струм: 3,7 А

Заради довкілля. Картонну упаковку та поліетиленові (ПЕ) пакети викидати у відповідні контейнери, призначені для селективного збору побутових відходів відповідно до їх опису. Якщо пристрій є батареєю, їх слід вийняти та віднести на пункт збору та зберігання окремо. Використаний пристрій слід повернути до відповідного пункту збору та зберігання, оскільки небезпечні речовини, які він містить, можуть становити загрозу здоров'ю та навколишньому середовищу. Маркування на виробі вказує на те, що пристрій не можна викидати з побутовими відходами. Відходи електрообладнання - це відходи, які містять речовини, шкідливі для людей, тварин і навколишнього середовища. Ці речовини можуть призвести до забруднення ґрунту, води чи повітря, а отже, можуть потрапити в організм людини та призвести до численних захворювань, таких як: порушення зору, слуху та мови, а також можуть призвести до пошкодження нирок, печінки та серця, і викликають захворювання шкіри. Шкідливі речовини також можуть мати негативний вплив на дихальну та репродуктивну системи та призводити до раку. Споживання рослин, що ростуть на оскаржених ґрунтах, і продуктів, отриманих з них, може становити ризик вищезазначених наслідків для здоров'я. **Не викидайте пристрій у контейнери для міських відходів!!**



Сервіс Якщо ви бажаєте придбати запчастини або повідомити про будь-які скарги, зв'яжіться безпосередньо з продавцем, який видав чек.

Упутство за употребу (SR)

ОПШТИ УСЛОВИ БЕЗБЕДНОСТИ ВАЖНА БЕЗБЕДНОСНА УПУТСТВА

ПАЖЉИВО ПРОЧИТАЈТЕ И ЗАЧУВАЈТЕ ЗА БУДУЋЕ РЕФЕРЕНЦЕ

1. Пре употребе уређаја, прочитајте упутство за употребу и следите упутства садржана у њему. Произвођач није одговоран за штету проузроковану употребом уређаја супротно његовој намени или неправилним радом.
2. Уређај је само за некомерцијалну употребу. Немојте користити у било које друге сврхе које нису у складу са његовом наменом.
3. У зависности од потребе, уређај треба прикључити на утичницу за аутомобилски упаљач од 12В или 24В или на утичницу од 220-240 В ~ 50-60 Хз. (у зависности од типа уређаја, изаберите одговарајући параметар снаге).
Да бисте повећали сигурност у раду, немојте истовремено повезивати више електричних уређаја на једно коло.
4. Будите посебно опрезни када користите уређај када су деца у близини. Не би требало дозволити деци да се играју са уређајем. Не дозволите

деци или особама које нису упознате са уређајем.

5. УПОЗОРЕЊЕ: Ову опрему могу користити деца старија од 8 година и особе са смањеним физичким, сензорним или менталним способностима, или особе које немају искуства или знања о опреми, ако су под надзором или су им дата упутства о томе како да користите опрему и упутства о безбедној употреби уређаја и свесни опасности које су повезане са његовом употребом. Деца не би требало да се играју са опремом.

Чишћење и одржавање уређаја не би требало да обављају деца осим ако нису старија од 8 година и ове активности се обављају под надзором.

6. Кад год завршите са употребом, извадите утикач из утичнице држећи утичницу руком. НЕ вуците кабл за напајање.

7. Не урађајте кабл, утикач или цео уређај у воду или било коју другу течност. Не излажите уређај временским условима (киша, сунце, итд.) нити га користите у условима високе влажности (купатила, влажне кампове).

8. Повремено проверавајте стање кабла за напајање. Ако је кабл за напајање оштећен, требало би да га замени специјализована сервисна установа да би се избегла опасност.

9. Немојте користити уређај ако је кабл за напајање оштећен, ако је пао или оштећен на било који начин, или ако не ради нормално. Немојте сами поправљати уређај, јер то може довести до струјног удара. Однесите оштећени уређај у одговарајући сервисни центар на преглед или поправку. Све поправке смеју да обављају само овлашћени сервиси. Неправилно обављене поправке могу представљати озбиљну претњу за корисника.

10. Поставите уређај на хладну, стабилну, равну површину која може да издржи тежину уређаја и свих његових садржаја, даље од врућих кухињских апарата као што су: електрични шпорет, гасни горионик итд.

11. Не користите уређај у близини запаљивих материјала.

12. Кабл за напајање не сме да виси преко ивице стола или да додирује вруће површине.

13. Да би се обезбедила додатна заштита, препоручљиво је да се у електрично коло угради заштитни уређај (РЦД) са називном резидуалном струјом која не прелази 30 мА. У том погледу, обратите се специјалистичком електричару.

14. Немојте користити уређај ако су прикључне утичнице мокре.

15. Када користите уређај у аутомобилу или на чамцу, проверите да ли је исправан осигурач који штити систем напајања.

16. Заштитите уређај од извора топлоте и сунчеве светлости.
17. Ставите већ охлађене производе у уређај.
18. Поставите уређај на место са одговарајућом вентилацијом. Удаљеност од других објеката треба да буде најмање 20 цм.
19. УПОЗОРЕЊЕ: Немојте блокирати вентилационе отворе у кућишту уређаја.
20. УПОЗОРЕЊЕ: Заштитите коло које садржи расхладно средство од оштећења.
21. УПОЗОРЕЊЕ: Не користите или чувајте електричну опрему у одељку за складиштење хране.
22. УПОЗОРЕЊЕ: Отварање врата на дуже време може изазвати значајно повећање температуре у коморама уређаја.
23. УПОЗОРЕЊЕ: Редовно чистите површине које могу доћи у контакт са храном.
24. УПОЗОРЕЊЕ: Сирово месо и рибу складиштите у за то предвиђеним посудама тако да се производи не додирују и не капају на другу храну.
25. УПОЗОРЕЊЕ: Ако је ваш расхладни уређај остављен празан дуже време, искључите га, одмрзните, очистите, осушите и оставите отворена врата како бисте спречили стварање буђи у уређају.
26. УПОЗОРЕЊЕ: Не складиштите експлозивне материјале као што су запаљиве аеросолне лименке итд. у фрижидеру.
27. УПОЗОРЕЊЕ: Приликом постављања уређаја уверите се да кабл за напајање није прикљештен фрижидером или да није оштећен.
28. УПОЗОРЕЊЕ: Немојте постављати продужне каблове или преносиве изворе напајања близу или иза уређаја.
29. УПОЗОРЕЊЕ: Немојте користити механичке уређаје или средства за убрзавање процеса одмрзавања осим оних које препоручује произвођач.

Пре прве употребе: Правилна локација

1. Пре прве употребе уклоните сву амбалажу и оставите најмање 15 цм слободног простора око уређаја (5 цм са стране, 10 цм са задње стране уређаја).

2. Поставите фрижидер на суво и добро проветрено место. Фрижидер треба чувати даље од директне сунчеве светлости, радијатора и корозивних гасова.

НАПОМЕНА: Пошто је јединица заснована на компресору, потребан је велики простор око јединице да би се омогућило правилно одзрачивање.

НАПОМЕНА: Не препоручује се померање уређаја ако под није гладак. Не користите ако је фрижидер нагнут. Ако се фрижидер одвуче на локацију за употребу, поставите га усправно и сачекајте 10 минута пре употребе. Када померате фрижидер, увек користите обе ручке да бисте уређај носили што је могуће хоризонталније. Ово је за заштиту компресора и заптивеног система

УПОЗОРЕЊЕ: Користите најмање две особе за померање и управљање овом опремом. Непоштовање овог упозорења може довести до повреде леђа или других повреда.

3. Ако је могуће, чувајте свој преносни хладњак даље од топлоте и директне сунчеве светлости.

4. Преносиви хладњак је погодан за употребу у аутомобилу и камповању, али јединица не би требало да буде изложена киши или другим тешким временским условима.

5. Преносиви фрижидер не би требало да се поставља у уграђени или удубљење. Уређај је дизајниран као самостојећи.

6. Нормалан рад фрижидера зависи од топлотног зрачења из кондензатора.

7. Очистите унутрашњу површину са мало млаке воде и меком крпом.

Напомена: Када повезујете ДЦ кабл за напајање, уверите се да је улаз 12В~ДЦ/24В извор напајања.

ВАЖНО: Не уклањајте налепнице са упозорењима, упозорењима или информацијама о производу са свог преносивог хладњака у аутомобилу.

ОПИС Преносиви фрижидер - Слика А

1. Основе 2. Утичница

3. Дршка 4. Оквир

5. Поклопац 6. Контролна табла

7. ДЦ кабл за напајање – За употребу током путовања, укључите директно у упалач за цигарете вашег аутомобила

КОНТРОЛНА ТАБЛА - Слика Б

А – Дугме за укључивање/искључивање

Б - дугме СЕТ

Ц - Индикатор напајања

Д - Индикатор грешке

Е - ЛЦД дисплеј

Ф – дугме „+“.

Г – дугме „-“.

СЕРВИС

- Када покушавате да укључите преносни хладњак у стандардну утичницу од 12 В, јединица неће радити ако је напон утичнице испод 9,6 В. Јединица ће се поново покренути када напон достигне 12,2 В или више.
- Када покушавате да укључите уређај у стандардну утичницу од 24 В, уређај неће радити ако је напон у утичници мањи од 21,3 В. Уређај ће се поново покренути када напон достигне 25,2 В или већи.
- Уређај се такође може повезати на 230В ~50/60Хз мрежно напајање помоћу екстерног напајања (није укључено). Препоручени модел АЦ/ДЦ напајања је ЦР8076.1.

КОНТРОЛНА ТАБЛА (7) - Слика Б

Ваш преносиви фрижидер користи дигитални контролни систем за подешавање термостата.

* Дугме за напајање (А) - УКЉУЧЕНО / Ван

1. Прикључите фрижидер на напајање, притисните дугме за напајање (А) једном да бисте укључили уређај.
2. Поново притисните дугме за напајање (А), фрижидер ће се искључити.

* СЕТ дугме:

Дуго притисните дугме СЕТ 3 секунде и уђите у напредне режиме:

РЕЖИМ ЗАШТИТЕ НАПОНА:

Уређај има три функције заштите батерије, које штите нормалан рад фрижидера и штите акумулатор возила. Ова три нивоа заштите батерије:

X3 – висок ниво заштите

за 12В напон: зауставља се на 10.9В и почиње на 12.2В.

за 24В напон: зауставља се на 23.8В и почиње на 25.2В.

X2 – средњи ниво заштите

за 12В напон: зауставља се на 9.7В и почиње на 11.0В.

за 24В напон: зауставља се на 21.5В и почиње на 22.9В.

X1 – низак ниво заштите:

за 12В напон: зауставља се на 9.6В и почиње на 10.9В.

за 24В напон: зауставља се на 21.3В и почиње на 22.7В.

Кратко притисните дугме "+" или "-" да бисте изабрали функцију. Функција је подешена на средњи ниво

заштите "X2" када је фрижидер спреман за прву употребу.

ПАЖЊА:

Препоручује се подешавање заштите батерије на X2 (средњи ниво) када се уређај користи у аутомобилу.

Препоручује се да поставите заштиту батерије на X2 (средњи ниво) или X1 (низак ниво) ако је у питању спољна батерија или резервна батерија.

Због разлике у излазном напону са различитих излаза напајања возила, ако постоји заштита од напона (ЛЦД дисплеј приказује Ф1), функција батерије може бити смањена на нижу (X3 се пребације на X2 или X1).

* Дугме "+" (Ф) се користи за повећање температуре или других подешавања описаних горе.

* Дугме "-" (Г) се користи за снижавање температуре или других подешавања описаних горе.

* Индикатор напајања (Ц):

- Када је фрижидер укључен, индикаторска лампица је црвена.

- Када се фрижидер искључи, индикаторска лампица се гаси.

* Индикатор грешке (Д):

- У случају квара, зујалица ће звонити непрекидно.

- Кодови грешака ће се појавити на екрану.

- Индикатор грешке (Д) светли плаво.

* ЛЦД екран (Е): приказује

- Приказује температуру и друга подешавања.

- Кодови грешака се могу појавити на екрану као у наставку:

Ф1: Пад напона

Ф2: Квар струје вентилатора

Ф3: Грешка при покретању компресора

Ф4: Квар минималне брзине компресора

Ф5: Грешка температуре контролера

Е0: Коло сензора је прекинуто

Е1: Кратак спој сензора

ЛЦД екран вам омогућава да подесите температуру од -20°C до $+20^{\circ}\text{C}$. Стварна температура која се постиже унутар уређаја зависи од спољашњих услова. На пример, на температури околине од $+25^{\circ}\text{C}$, најнижа температура која се постиже унутар уређаја је -20°C . Уређај нема функцију грејања.

НАПОМЕНА: Ако систем поквари, прво проверите да ли је напон батерије исправан. Ако је напон батерије исправан, сачекајте 3 минута пре него што укључите фрижидер. Ако систем и даље не функционише исправно након поновног покретања уређаја, обратите се сервису за помоћ.

Уобичајена подешавања температуре за складиштење:

• Вина (од $+6^{\circ}\text{C}$ до $+18^{\circ}\text{C}$)

• Вакцине, инсулин (од $+2^{\circ}\text{C}$ до -8°C)

• Воће (од 4°C до -6°C)

• Пића (од 2°C до -5°C)

• Месо (-10°C)

• Сладолед (-15°C)

Будите опрезни ако лекове желите да чувате у фрижидеру. Пре него што их ставите у апарат, храну треба спаковати у контејнере/кесе намењене за то.

ЧИШЋЕЊЕ И ОДРЖАВАЊЕ

Увек искључите уређај пре чишћења.

Очистите меком, сувом крпом користећи благе детерџенте. Немојте користити хемијске раствараче јер могу изазвати трајно оштећење или деформацију уређаја.

РЕШАВАЊЕ ПРОБЛЕМА

Пратите водич за решавање проблема у наставку да бисте решили уобичајене проблеме.

Проблем И: Уређај уопште не ради и не приказује знаке напајања.

Могући узрок 1: Уређај не прима струју.

Решење могућег узрока 1: Проверите да ли је уређај повезан.

Могући узрок 2: Недоволjna снага.

Решење могућег узрока 2: Преместите уређај у другу утичницу. Проверите прекидач. (Погледајте натписну плочичу на полеђини јединице да бисте одредили тренутну потрошњу).

Могући узрок 3: ДЦ кабл за напајање

Решење за могући узрок 4: Тестирајте уређај са другим извором напајања, као што је друго возило са познатом исправном ДЦ утичницом.

Могући узрок 4: Искључени каблови.

Решење могућег узрока 5: Обратите се корисничкој служби.

Проблем ИИ: Уређај производи чудне звукове.

Могући узрок 1: Уређај није нивелисан.

Решење 1: Померите уређај на равну, хоризонталну површину.

Проблем ИИИ: Уређај производи гласан, континуирани метални звук кликтања.

Могући узрок 1: Јединица је можда послата у страну.

Решење 1: Искључите свој уређај. Оставите уређај на равной површини најмање 24 сата и поново га покрените.

Могући узрок 2: Неисправан компресор

Решење 2: Обратите се корисничкој служби.

Проблем ИВ: Уређај ради неко време, а затим искључује кабл за напајање или прекидач.

Могући узрок: Уређај је можда укључен у утичницу која не обезбеђује одговарајућу струју.

Решење: Обратите се електричару ако јединица ради у другој просторији или струјном кругу.

Проблем В: Лампице на контролној табли блескају насумично.

Могући узрок: Уређај може имати оштећену контролну таблу.

Решење: Поново покрените уређај и ако се проблем настави, контактирајте корисничку подршку.

Проблем ВИ: Уређај је наишао на ХХ грешку

Могући узрок: Температура околине је прешла 40°C.

Решење: Поново покрените уређај и ако се проблем настави, контактирајте корисничку подршку.

Проблем ВИИ: Уређај има ОЦ грешку.

Могући узрок: Откривена је грешка термостата.

Решење: Поново покрените уређај и ако се проблем настави, контактирајте корисничку подршку.

Проблем ВИИИ: Уређај је наишао на СЦ грешку

Могући узрок: У термостату је откривен кратак спој.

Решење: Поново покрените уређај и ако се проблем настави, контактирајте корисничку подршку.

Проблем ИКС: Уређај је напајан, али компресор не ради.

Могући узрок 1: Температура околине је прениска.

Решење 1: Преместите уређај на топлије место.

Могући узрок 2: Искључен кабл.

Решење 2: Обратите се корисничкој служби.

ОПРЕЗ: РИЗИК ОД ПОЖАРА/ЗАПАЉИВИ МАТЕРИЈАЛИ



ТЕХНИЧКИ ПОДАЦИ

Капацитет: 40 литара

Напајање:

- ДЦ 12В / 24В – утичница за упаљач за аутомобиле
- 230В ~50/60Хз – мрежна утичница након коришћења екстерног напајања (није укључено)

Расхладно средство: Р600а / 40г

Климатска класа: С / СН

Изолација: Ц5Х10

Називна потрошња енергије: 45В

Максимална називна струја: 3.7А

Због животне средине. Картонску амбалажу и полиетиленске (ПЕ) кесе бацити у одговарајуће контејнере намењене за селективно сакупљање комуналног отпада у складу са њиховим описом. Ако у уређају постоје батерије, треба их уклонити и однети на место за прикупљање и складиштење одвојено. Коришћени уређај треба вратити на одговарајуће место за сакупљање и складиштење, јер опасне супстанце које садржи могу представљати опасност по здравље и животну средину. Ознака на производу указује да се уређај не сме одлагати са комуналним отпадом. Отпадна електрична опрема је отпад који садржи супстанце штетне за људе, животиње и животну средину. Ове супстанце могу довести до загађења земљишта, воде или ваздуха, а самим тим могу ући у људски организам и довести до бројних здравствених тегоба, као што су: поремећаји вида, слуха и говора, а могу довести и до оштећења бубрега, јетре и срца, и изазивају кожно болести. Штетне супстанце такође могу негативно утицати на респираторни и репродуктивни систем и довести до рака. Потрошња биљака које расту на притуженим земљиштима и производа добијених од њих може представљати ризик од горе наведених здравствених ефеката. **Не бацајте уређај у контејнере за комунални отпад!!**

Сервис Ако желите да купите резервне делове или да пријавите било какве рекламације, контактирајте директно продавца који је изdao рачун.



دليل المستخدم (RA)

شروط السلامة العامة
تعليمات أمنية هامة
اقرأ بعناية واحفظ به للرجوع إليه في المستقبل

1. قبل استخدام الجهاز، اقرأ دليل المستخدم واتباع التعليمات الواردة فيه. الشركة المصنعة ليست مسؤولة عن الأضرار الناجمة عن استخدام الجهاز بشكل مخالف للاستخدام المقصود منه أو التشغيل غير السليم.
2. الجهاز مخصص للاستخدام غير التجاري فقط. لا تستخدم لأية أغراض أخرى لا تتفق مع الغرض المقصود.
3. حسب الحاجة، يجب توصيل الجهاز بمقبس ولاعة السجائر في السيارة بجهد 12 فولت أو 24 فولت، أو بمقبس التيار الكهربائي 220-240 فولت ~ 50-60 هرتز. (اعتمادًا على نوع الجهاز، حدد معلمة الطاقة المناسبة).
4. زيادة السلامة التشغيلية، لا تقم بتوصيل أجهزة كهربائية متعددة بدائرة واحدة في نفس الوقت.
5. كن حذرًا بشكل خاص عند استخدام الجهاز عندما يكون الأطفال بالقرب منك. لا ينبغي السماح للأطفال باللعب بالجهاز. لا تسمح للأطفال أو الأشخاص غير المعتادين على الجهاز باستخدامه.
5. تحذير: يمكن استخدام هذا الجهاز من قبل الأطفال الذين تزيد أعمارهم عن 8 سنوات والأشخاص ذوي القدرات البدنية أو الحسية أو العقلية المحدودة، أو الأشخاص الذين يفتقرون إلى الخبرة أو المعرفة بالمعدات، إذا تم الإشراف عليهم أو تلقوا تعليمات حول كيفية استخدامها. استخدام تعليمات الاستخدام الآمن للجهاز وعلى دراية بالمخاطر المرتبطة باستخدامه. يجب ألا يلعب الأطفال بالمعدات. يجب ألا يقوم الأطفال بتنظيف الجهاز وصيانته إلا إذا تجاوزوا سن 8 سنوات، ويتم تنفيذ هذه الأنشطة تحت إشراف.
6. عند الانتهاء من استخدامه، قم بإزالة القابس من مقبس الطاقة عن طريق الإمساك بالمقبس بيدك. لا تسحب سلك الطاقة.
7. لا تغمر الكابل أو القابس أو الجهاز بأكمله في الماء أو أي سائل آخر. لا تعرض الجهاز للظروف الجوية (المطر، الشمس، الثلج) ولا تستخدمه في ظروف الرطوبة العالية (الحمامات، بيوت التخييم الرطبة).
8. تحقق بشكل دوري من حالة سلك الطاقة. في حالة تلف سلك الطاقة، يجب استبداله بواسطة منشأة إصلاح متخصصة لتجنب المخاطر.
9. لا تستخدم الجهاز في حالة تلف سلك الطاقة، أو إذا تم سقوطه أو تلفه بأي شكل من الأشكال، أو إذا كان لا يعمل بشكل طبيعي. لا تقم بإصلاح الجهاز بنفسك، فقد يؤدي ذلك إلى حدوث صدمة كهربائية. خذ الجهاز التالف إلى مركز الخدمة المناسب للفحص أو الإصلاح. لا يجوز إجراء جميع الإصلاحات إلا من خلال نقاط الخدمة المعتمدة. قد تشكل الإصلاحات التي تم إجراؤها بشكل غير صحيح تهديدًا خطيرًا للمستخدم.
10. ضع الجهاز على سطح بارد وثابت ومستو يتحمل وزن الجهاز وجميع محتوياته، بعيداً عن أدوات المطبخ الساخنة مثل: الموقد الكهربائي، وموقد الغاز وغيرها.
11. لا تستخدم الجهاز بالقرب من المواد القابلة للاشتعال.
12. يجب ألا يتدلى سلك الطاقة على حافة الطاولة أو يلمس الأسطح الساخنة.
13. لتوفير حماية إضافية، يُنصح بتركيب جهاز تيار متبقي (RCD) في الدائرة الكهربائية بتيار متبقي مقتن لا يتجاوز 30 مللي أمبير.

- في هذا الصدد، يرجى الاتصال بفني كهربائي متخصص.
14. لا تستخدم الجهاز إذا كانت مقاييس التوصيل مبتلة.
 15. عند استخدام الجهاز في السيارة أو على متن قارب، تحقق مما إذا كان المصدر الذي يحمي نظام الطاقة قيد التشغيل.
 16. حماية الجهاز من مصادر الحرارة وأشعة الشمس.
 17. ضع المنتجات المبردة بالفعل في الجهاز.
 18. ضع الجهاز في مكان جيد التهوية. يجب أن تكون المسافة من الأشياء الأخرى 20 سم على الأقل.
 19. تحذير: لا تسد فتحات التهوية الموجودة في مبيت الجهاز.
 20. تحذير: قم بحماية الدائرة التي تحتوي على مادة التبريد من التلف.
 21. تحذير: لا تستخدم أو تخزن المعدات الكهربائية داخل حجرة تخزين الطعام.
 22. تحذير: قد يؤدي فتح الباب لفترة طويلة إلى ارتفاع كبير في درجة حرارة حجرات الجهاز.
 23. تحذير: قم بتنظيف الأسطح التي قد تتلامس مع الطعام بانتظام.
 24. تحذير: قم بتخزين الحوم والأسماك النيئة في حاويات مخصصة بحيث لا تلامس المنتجات بعضها البعض ولا تتساقط على الأطعمة الأخرى.
 25. تحذير: إذا تركت جهاز التبريد الخاص بك فارغاً لفترة طويلة، فأوقف تشغيله، وقم بإذابة الجليد عنه، وتنظيفه، وتجفيفه، واثرك الباب مفتوحاً لمنع تكون العفن في الجهاز.
 26. تحذير: لا تقم بتخزين المتفجرات مثل علب الأيروسول القابلة للاشتعال وغيرها داخل الثلاجة.
 27. تحذير: عند وضع الجهاز، تأكد من عدم ضغط سلك الطاقة بواسطة الثلاجة أو تلفه.
 28. تحذير: لا تضع أسلاك تمديد أو مصادر طاقة محمولة بالقرب من الجهاز أو خلفه.
 29. تحذير: لا تستخدم أجهزة أو عوامل ميكانيكية لتسريع عملية إزالة الجليد بخلاف تلك الموصى بها من قبل الشركة المصنعة.

قبل الاستخدام الأول: الموقع المناسب

1. قبل الاستخدام لأول مرة، قم بإزالة جميع العبوات والترك مساحنة خالية لا تقل عن 15 سم حول الجهاز (5 سم على الجانب، و10 سم على الجزء الخلفي من الجهاز).
2. ضعي الثلاجة في مكان جاف وجيد التهوية. يجب تخزين الثلاجة بعيداً عن أشعة الشمس المباشرة والمشعات والغازات المسببة للتآكل.
- ملاحظة: نظراً لأن الوحدة تعتمد على الضاغط يلزم وجود مساحة كبيرة حول الوحدة للسهاب بالتهوية المناسب.
- دائماً كلاً المفضيين لحمل الجهاز وفقاً قدر الإمكان. هذا لحماية الضاغط والنظام المحكم.
- تحذير: استخدم شخصين على الأقل لتحريك هذا الجهاز وتشغيله. قد يؤدي عدم اتباع هذا التحذير إلى حدوث إصابة في الظهر أو أي إصابة أخرى.
3. إذا أمكن، قم بتخزين المبرد المحمول الخاص بك بعيداً عن الحرارة وأشعة الشمس المباشرة.
4. المبرد المحمول مناسب للاستخدام في السيارة والتخييم، ولكن لا ينبغي أن تتعرض الوحدة للمطر أو غيرها من الظروف الجوية القاسية.
5. لا ينبغي وضع الثلاجة المحملة في مكان منجم أو في التجميد. تم تصميم الجهاز ليكون قائماً بذاته.
6. يعتمد التشغيل الطبيعي للثلاجة على الإشعاع الحراري الصادر من المكثف.
7. نظف السطح الداخلي ببعض الماء الفاتر وقطعة قماش ناعمة.
- ملحوظة: عند توصيل سلك طاقة التيار المستمر، يرجى التأكد من أن مصدر الطاقة هو 12 فولت - تيار مستمر/24 فولت.
- هام: لا تقم بإزالة أي ملصقات تحذيرية أو تعليمية أو معلومات المنتج من مبرد السيارة المحمول الخاص بك.

الوصف الثلاجة المحملة - الشكل أ

1. الأساسيات
2. قم بتوصيل المقبض
3. المقبض
4. الإطار
5. الغطاء
6. لوحة التحكم
7. سلك طاقة التيار المستمر - للاستخدام أثناء السفر، قم بتوصيله مباشرة بولاعة المجاز في سيرتك

لوحة التحكم - الشكل ب

- أ - زر تشغيل/إيقاف التشغيل
- ب - زر الضغط
- ج - مؤشر الطاقة
- د - مؤشر الخطأ
- هـ - شاشة LCD
- F - زر "F"
- ز - زر "Z"

- عند محاولة توصيل مبرد محمول بمقبض قياسي 12 فولت، لن تعمل الوحدة إذا كان جيد المقبض أقل من 9.6 فولت. سيتم إعادة تشغيل الوحدة عندما يصل الجهد إلى 12.2 فولت أو أعلى.
- عند محاولة توصيل الجهاز بمقبض قياسي 24 فولت، لن يعمل الجهاز إذا كان الجهد الكهربائي في المنفذ أقل من 21.3 فولت. سيتم إعادة تشغيل الجهاز عندما يصل الجهد الكهربائي إلى 25.2 فولت أو أعلى.
- يمكن أيضاً توصيل الجهاز بمصدر طاقة رئيسي 230 فولت - 60/50 هرتز باستخدام مصدر طاقة خارجي (غير مضمن). نموذج مصدر الطاقة AC/DC الموصى به هو CR8076.1

لوحة التحكم (7) - الشكل ب

تستخدم ثلاثتك المحملة نظام تحكم رقمي لضبط منظم الحرارة.

* زر الطاقة (A) - تشغيل / عن

1. قم بتوصيل الثلاجة بمصدر الطاقة، واضغط على زر الطاقة (A) مرة واحدة لتشغيل الجهاز.
2. اضغط على زر الطاقة (A) مرة أخرى، وسيتم إيقاف تشغيل الثلاجة.

*زر الضغط:

اضغط لفترة طويلة على زر **SET** لمدة 3 ثوانٍ وأدخل الأوضاع المتقدمة:

وضع حماية الجهد:
يحتوي الجهاز على ثلاث وظائف لحماية البطارية، والتي تحمي التشغيل العادي للثلاجة وتحمي بطارية السيارة.
هذه المستويات الثلاثة لحماية البطارية:

H3 - مستوى عالٍ من الحماية
للجهد 12 فولت: يتوقف عند 10.9 فولت ويبدأ عند 12.2 فولت.
للجهد 24 فولت: يتوقف عند 23.8 فولت ويبدأ عند 25.2 فولت.

H2 - مستوى حماية متوسط
للجهد 12 فولت: يتوقف عند 9.7 فولت ويبدأ عند 11.0 فولت.
للجهد 24 فولت: يتوقف عند 21.5 فولت ويبدأ عند 22.9 فولت.

H1 - مستوى حماية منخفض:
للجهد 12 فولت: يتوقف عند 9.6 فولت ويبدأ عند 10.9 فولت.
للجهد 24 فولت: يتوقف عند 21.3 فولت ويبدأ عند 22.7 فولت.

اضغط لفترة قصيرة على الزر "+" أو "-" لتحديد وظيفة. يتم ضبط الوظيفة على مستوى الحماية المتوسط "**H2**" عندما تكون الثلاجة جاهزة للاستخدام الأول.
انتباه:

يوصى بضغط حماية البطارية على **H2** (المستوى المتوسط) عند استخدام الجهاز في السيارة.

يوصى بضغط حماية البطارية على **H2** (مستوى متوسط) أو **H1** (مستوى منخفض) إذا كانت بطارية خارجية أو بطارية احتياطية.

نظرًا للاختلاف في جهد الخرج من مخرج إمداد طاقة السيارة المختلفة، إذا كانت هناك حماية للجهد (تظهر شاشة **LCD F1**)، فقد تنخفض وظيفة البطارية إلى وظيفة أقل (يتم تحويل **H3** إلى **H2** أو **H1**).

* يُستخدم الزر "+" (**F**) لزيادة درجة الحرارة أو الإعدادات الأخرى الموضحة أعلاه.

* يُستخدم الزر "-" (**G**) لخفض درجة الحرارة أو الإعدادات الأخرى الموضحة أعلاه.

* مؤشر الطاقة (ج):

- عند تشغيل الثلاجة، يكون ضوء المؤشر باللون الأحمر.
- عند إيقاف تشغيل الثلاجة، يطفئ ضوء المؤشر.

* مؤشر الخطأ (د):

- في حالة الفشل، سوف يرن الجرس بشكل مستمر.

- سوف تظهر رموز الخطأ على الشاشة.

- يضيء مؤشر الخطأ (**D**) باللون الأزرق.

* شاشة (**E**) **LCD**: العروض

- يعرض درجة الحرارة والإعدادات الأخرى.

- قد تظهر رموز الأخطاء على الشاشة كما يلي:

F1: فشل الجهد

F2: فشل تيار المروحة

F3: خطأ في بدء تشغيل الضاغط

F4: عطل في الحد الأدنى لسرعة الضاغط

F5: خطأ في درجة حرارة وحدة التحكم

E0: تمت مقاطعة دائرة المستشعر

E1: ماس كهربائى لجهاز الاستشعار

تتيح لك شاشة **LCD** ضبط درجة الحرارة من -20 درجة مئوية إلى +20 درجة مئوية. تعتمد درجة الحرارة الفعلية التي يتم تحقيقها داخل الجهاز على الظروف الخارجية. على سبيل المثال، عند درجة حرارة محيطية تبلغ +25 درجة مئوية، تكون أدنى درجة حرارة يتم تحقيقها داخل الجهاز هي -20 درجة مئوية. الجهاز لا يحتوي على وظيفة التفتيش.

ملاحظة: في حالة حدوث عطل في النظام، تحقق أولاً مما إذا كان جهد البطارية صحيحاً. إذا كان جهد البطارية صحيحاً، فانظر 3 دقائق قبل تشغيل الثلاجة. إذا استمر تعطل النظام بعد إعادة تشغيل الجهاز، فاتصل بالخدمة للحصول على المساعدة.

إعدادات درجة الحرارة الشائعة للتخزين:

• النبيذ (من +6 درجة مئوية إلى +18 درجة مئوية)

• اللحامات والأسنولين (من +2 درجة مئوية إلى -8 درجة مئوية)

• الفواكه (من 4 درجات مئوية إلى -6 درجات مئوية)

• المشروبات (من 2 درجة مئوية إلى -5 درجة مئوية)

• اللحوم (-10 درجة مئوية)

• آيس كريم (-15 درجة مئوية)

كن حذراً إذا كنت تريد تخزين الأدوية في الثلاجة، قبل وضعها في الجهاز، يجب تعبئة الطعام في حاويات/أكياس مخصصة لهذا الغرض.

التنظيف والصيانة

افصل الجهاز دائماً قبل التنظيف.

تنظف بقطعة قماش ناعمة وجافة باستخدام منظفات خفيفة. لا تستخدم المنظفات الكيميائية لأنها قد تسبب تلفاً دائماً أو تشوهاً للجهاز.

استكشاف الأخطاء وإصلاحها

اتبع دليل استكشاف الأخطاء وإصلاحها لأنواع لحل المشكلات الشائعة.

المشكلة الأولى: الجهاز لا يعمل إطلاقاً ولا تظهر عليه أي علامات للطاقة.

السبب المحتمل 1: الجهاز لا يتلقى الطاقة.

الحل للسبب المحتمل 1: تأكد من توصيل الجهاز.

السبب المحتمل 2: عدم كفاية الطاقة.

الحل للسبب المحتمل 2: اقلل الجهد إلى منفذ مختلف. تحقق من قاطع الدائرة. (انظر الورقة الموجودة على الجزء الخلفي من الوحدة لتحديد السحب الحالي).

السبب المحتمل 3: كابل طاقة التيار المستمر

الحل للسبب المحتمل 3: اختر الجهاز باستخدام مصدر طاقة مختلف، مثل مركبة أخرى بها منفذ تيار مباشر معروف.

السبب المحتمل 4: الكابلات المنفصلة.

الحل للسبب المحتمل 4: اتصل بخدمة العملاء.

المشكلة الثانية: يصدر الجهاز أصواتاً غريبة.

السبب المحتمل 1: الجهاز ليس مستويًا.

الحل 1: اقلل الجهد إلى سطح أفقي مستو.

- المشكلة الثالثة: يصدر الجهاز صوت نقر معدني عالٍ ومستمر.
- السبب المحتمل 1: ربما تم إرسال الوحدة بشكل جانبي.
- الحل 1: تم إيقاف تشغيل جهازك. اترك الجهاز على سطح مسطح لمدة 24 ساعة على الأقل ثم أعد تشغيله.
- السبب المحتمل 2: ضاغط معيب
- الحل 2: اتصل بخدمة العملاء.
- المشكلة الرابعة: يعمل الجهاز لفترة ثم يقوم بفصل سلك الطاقة أو قاطع الدائرة.
- السبب المحتمل: قد يكون الجهاز متصلاً بمنفذ لا يوفر تياراً كافياً.
- الحل: اتصل بالكهربائي إذا كانت الوحدة تعمل في غرفة أو دائرة مختلفة.
- المشكلة الخامسة: يوضع أعضاء لوحة التحكم بشكل عشوائي.
- السبب المحتمل: قد يكون بالجهاز لوحة تحكم ثالثة.
- الحل: أعد تشغيل جهازك، وإذا استمرت المشكلة، فاتصل بدعم العملاء.
- المشكلة السادسة: واجه الجهاز خطأ **HH**
- السبب المحتمل: تجاوزت درجة الحرارة المحيطة 40 درجة مئوية.
- الحل: أعد تشغيل جهازك، وإذا استمرت المشكلة، فاتصل بدعم العملاء.
- المشكلة السابعة: يوجد خطأ في **OC** بالجهاز.
- السبب المحتمل: تم اكتشاف خطأ في الترموستات.
- الحل: أعد تشغيل جهازك، وإذا استمرت المشكلة، فاتصل بدعم العملاء.
- المشكلة الثامنة: واجه الجهاز خطأ **SC**
- السبب المحتمل: تم اكتشاف دائرة كهربائية قصيرة في منظم الحرارة.
- الحل: أعد تشغيل جهازك، وإذا استمرت المشكلة، فاتصل بدعم العملاء.
- المشكلة التاسعة: الجهاز يعمل بالطاقة ولكن الضاغط لا يعمل.
- السبب المحتمل 1: درجة الحرارة المحيطة منخفضة جداً.
- الحل 1: انتقل الجهاز إلى مكان أكثر دفئاً.
- السبب المحتمل 2: الكابل غير متصل.
- الحل 2: اتصل بخدمة العملاء.

تنبيه: خطر الحريق/المواد القابلة للاشتعال



معلومات تقنية
السعة: 40 لتر
مزود الطاقة:

- **DC 12V / 24V** - مقبين ولاعة المجازير في السيارة
- **230 فولت ~ 60/50 هرتز** - مقبين التيار الكهربائي بعد استخدام مصدر طاقة خارجي (غير متضمن)

الميز: **40 / R600a** جرام

فئة المناخ: **S/SN**

العزل: **CSH10**

استهلاك الطاقة المقدر: 45 واط

الحد الأقصى للتيار المقنن: **A3.7**

من أجل البيئة، ينبغي إلقاء أكياس التغليف المصنوعة من الورق المقوى والبولي إيثيلين (**PE**) في حاويات مناسبة مخصصة للتجميع الانتقائي للفايات البلدية وفقاً لوصفها. إذا كانت هناك بطاريات في الجهاز، فيجب إزالتها ونقلها إلى نقطة التجميع والتخزين بشكل منفصل. يجب إعادة الجهاز المستخدم إلى نقطة التجميع والتخزين المناسبة، حيث أن المواد الخطرة التي يحتوي عليها قد تشكل خطراً على الصحة والبيئة. تشير العلامة الموجودة على المنتج إلى أنه لا ينبغي التخلص من الجهاز مع النفايات البلدية. نفايات المعدات الكهربائية هي النفايات التي تحتوي على مواد ضارة بالإنسان والحيوان والبيئة. قد تؤدي هذه المواد إلى تلوث التربة أو الماء أو الهواء، وبالتالي قد تدخل إلى جسم الإنسان وتؤدي إلى أمراض صحية عديدة، مثل: اضطرابات في الرؤية والسمع والنطق، كما قد تؤدي إلى تلف الكلى والكبد والقلب. وتسبب الأمراض الجلدية. كما أن المواد الصلبة قد يكون لها تأثير سلبي على الجهازين التنفسي والإحجابي وتؤدي إلى الإصابة بالسعال. إن استهلاك البطاقات التي تنمو في التربة المذكورة والمنتجات المشتقة منها قد يشكل خطراً على الآثار الصحية المذكورة أعلاه. لا ترمي الجهاز في حاويات النفايات البلدية!! الخدمة إذا كنت ترغب في شراء قطع غيار أو الإطلاع عن أية شكاوى، فيرجى الاتصال مباشرة بالبالغ الذي أصدر الإصل.



İstifadəçi təlimatı (AZ)

ÜMUMİ TƏHLÜKƏSİZLİK ŞƏRTLƏRİ
Vacib TƏHLÜKƏSİZLİK TƏLİMATLARI

DİQQƏTLƏ OXUYUN VƏ GƏLƏCƏK İSTİFADƏ ÜÇÜN SAXLAYIN

1. Cihazı istifadə etməzdən əvvəl istifadəçi təlimatını oxuyun və orada olan təlimatlara əməl edin. İstehsalçı cihazın təyinatı üzrə istifadə edilməməsi və ya düzgün işləməməsi nəticəsində dəyən ziyanə görə məsuliyyət daşımır.
2. Cihaz yalnız qeyri-kommersiya məqsədli istifadə üçündür. Təyinatına uyğun olmayan başqa məqsədlər üçün istifadə etməyin.
3. Ehtiyacdən asılı olaraq cihaz 12V və ya 24V avtomobil alışqanının rozetkəsinə və ya 220-240 V ~ 50-60 Hz elektrik rozetkəsinə qoşulmalıdır. (cihazın növündən asılı olaraq müvafiq güc parametrlərini seçin). Əməliyyat təhlükəsizliyini artırmaq üçün eyni vaxtda bir neçə elektrik cihazını bir dövrəyə qoşmayın.
4. Uşaqlar yaxınlıqda olduqda cihazdan istifadə edərkən xüsusilə diqqətli olun. Uşaqların cihazla oynamasına icazə verilməməlidir. Uşaqların və ya cihazla tanış olmayan şəxslərin istifadəsinə icazə verməyin.
5. **XƏBƏRDARLIQ:** Bu avadanlıq 8 yaşdan yuxarı uşaqlar və fiziki, duyğu və ya əqli imkanları zəif olan şəxslər və ya avadanlıq haqqında təcrübəsi və ya biliyi olmayan şəxslər tərəfindən istifadə olunə bilər, əgər onlar nəzarət altındadırsa və ya onlara təlimat verilibsə cihazın təhlükəsiz istifadəsi üzrə təlimatlardan istifadə edin və onun istifadəsi ilə bağlı təhlükələrdən xəbərdar olun. Uşaqlar avadanlıqla oynamamalıdırlar. 8 yaşdan yuxarı olmayan və bu fəaliyyətlər nəzarət altında həyata keçirilmədikdə, cihazın təmizlənməsi və saxlanması uşaqlar tərəfindən həyata keçirilməməlidir.
6. İstifadəsini bitirdikdən sonra rozetkədən əlinizlə tutaraq fişini elektrik rozetkəsindən çıxarın. Elektrik kabelindən **ÇƏKMƏYİN**.
7. Kabeli, fişini və ya bütün cihazı suya və ya hər hansı digər mayeyə batırmayın. Cihazı hava şəraitinə (yağış, günəş və s.) məruz qoymayın və ya artan rütubət şəraitində (hamam otaqları, nəm düşərgə evləri) istifadə etməyin.
8. Elektrik kabelinin vəziyyətini vaxtaşırı yoxlayın. Elektrik kabeli zədələndisə, təhlükənin qarşısını almaq üçün onu mütəxəssis təmir müəssisəsi ilə əvəz etmək lazımdır.
9. Əgər elektrik kabeli zədələndisə, yerə düşübsə və ya hər hansı şəkildə zədələndisə və ya normal işləmirsə cihazdan istifadə etməyin. Cihazı özünü təmir etməyin, çünki bu, elektrik şoku ilə nəticələndə bilər. Zədələndisə cihazı yoxlama və ya təmir üçün müvafiq xidmət mərkəzinə aparın. Bütün təmir işləri yalnız səlahiyyətli xidmət mənəqələri tərəfindən həyata keçirilə bilər. Düzgün yerinə yetirilməmiş təmir istifadəçi üçün ciddi təhlükə yarada bilər.
10. Cihazı isti mətbəx cihazlarından, məsələn: elektrik sobasından, qaz ocağından və s. uzaqda, cihazın çəkisini və onun bütün məzmununu daşıya bilən sərin, dayanıqlı, bərabər səthə qoyun.

11. Cihazı yanan materialların yanında istifadə etməyin.
12. Elektrik kabeli masanın kənarından asılmamalı və isti səthlərə toxunmamalıdır.
13. Əlavə mühafizəni təmin etmək üçün nominal qalıq cərəyanı 30 mA-dan çox olmayan elektrik dövrəsində qalıq cərəyan qurğusunun (RCD) quraşdırılması məqsədəuyğundur. Bununla əlaqədar olaraq, bir mütəxəssis elektrikçi ilə əlaqə saxlayın.
14. Bağlantı rozetkaları yaş olduqda cihazı istifadə etməyin.
15. Cihazı avtomobildə və ya qayıqda istifadə edərkən, enerji sistemini qoruyan qoruyucunun işlək olub olmadığını yoxlayın.
16. Cihazı istilik mənbələrindən və günəş işığından qoruyun.
17. Artıq soyudulmuş məhsulları cihaza qoyun.
18. Cihazı havalandırması düzgün olan yerə qoyun. Digər obyektlərdən məsafə ən azı 20 sm olmalıdır.
19. XƏBƏRDARLIQ: Cihaz korpusunda ventilyasiya boşluqlarını bağlamayın.
20. XƏBƏRDARLIQ: Tərkibində soyuducu olan dövrəni zədələnmədən qoruyun.
21. XƏBƏRDARLIQ: Qida saxlama bölməsinin içərisində elektrik avadanlıqlarından istifadə etməyin və ya saxlamayın.
22. XƏBƏRDARLIQ: Qapının uzun müddət açılması cihazın kameralarında temperaturun əhəmiyyətli dərəcədə artmasına səbəb ola bilər.
23. XƏBƏRDARLIQ: Qida ilə təmasda ola biləcək səthləri müntəzəm olaraq təmizləyin.
24. XƏBƏRDARLIQ: Çiy ət və balıqları təyin olunmuş qablarda saxlayın ki, məhsullar bir-birinə toxunmasın və digər qidaların üzərinə damlamasın.
25. XƏBƏRDARLIQ: Əgər soyuducu cihazınız uzun müddət boş qalırsa, cihazda kif əmələ gəlməsinin qarşısını almaq üçün onu söndürün, əridin, təmizləyin, qurudun və qapını açıq qoyun.
26. XƏBƏRDARLIQ: Soyuducunun içərisində alışıan aerosol qutuları və s. kimi partlayıcı materialları saxlamayın.
27. XƏBƏRDARLIQ: Cihazı yerləşdirərkən elektrik kabelinin soyuducu tərəfindən sıxılmadığından və ya zədələnmədiyindən əmin olun.
28. XƏBƏRDARLIQ: Uzatma kabellərini və ya portativ enerji təchizatını cihazın yanında və ya arxasında qoymayın.
29. XƏBƏRDARLIQ: Dondurma prosesini sürətləndirmək üçün istehsalçı tərəfindən tövsiyə olunanlardan başqa mexaniki cihazlardan və ya vasitələrdən istifadə etməyin.

İlk istifadədən əvvəl: Müvafiq yer

1. İlk istifadə etməzdən əvvəl bütün qablaşdırmaları çıxarın və cihazın ətrafında ən azı 15 sm boş yer buraxın (cihazın yan tərəfində 5 sm, arxasında 10 sm).

2. Soyuducunu quru və yaxşı havalandırılan yerə qoyun. Soyuducu birbaşa günəş işığından, radiatorlardan və aşındırıcı qazlardan uzaqda saxlanmalıdır.

QEYD: Bölmə kompressor əsaslı olduğundan, düzgün qanaxma üçün qurğunun ətrafında geniş yer tələb olunur.

QEYD: Döşəmə hamar deyilsə cihazı yerindən tərpətmək tövsiyə edilmir. Soyuducu əyilibsə istifadə etməyin.

Soyuducu istifadə üçün yerə sürüklənsə, onu dik qoyun və istifadə etməzdən əvvəl 10 dəqiqə gözləyin. Soyuducunu daşıyarkən cihazı mümkün qədər üfüqi şəkildə daşımaq üçün həmişə hər iki tutacaqdan istifadə edin. Bu, kompressoru və möhürlənmiş sistemi qorumaq üçündür

XƏBƏRDARLIQ: Bu avadanlığı daşımaq və idarə etmək üçün ən azı iki nəfərdən istifadə edin. Bu xəbərdarlığa əməl edilməməsi bel və ya digər xəsərlərlə nəticələnə bilər.

3. Mümkünsə, portativ soyuducunuzu istilikdən və birbaşa günəş işığından uzaq saxlayın.

4. Portativ soyuducu avtomobildə və düşərgədə istifadə üçün uyğundur, lakin qurğu yağışa və ya digər sərt hava şəraitinə məruz qalmamalıdır.

5. Portativ soyuducu daxili və ya giritiyə qoyulmamalıdır. Cihaz müstəqil olaraq dizayn edilmişdir.

6. Soyuducunun normal işləməsi kondensatordan gələn istilik şüalanmasından asılıdır.

7. Daxili səthi bir az ılıq su və yumşaq parça ilə təmizləyin.

Qeyd: DC elektrik kabelini birləşdirərkən, girişin 12V~DC/24V enerji mənbəyi olduğundan əmin olun.

Vacib: Portativ avtomobil soyuducunuzdan heç bir xəbərdarlıq, xəbərdarlıq və ya məhsul haqqında məlumat etiketlərini çıxarmayın.

TƏSVİRİ Portativ soyuducu - Şəkil A

1. Əsaslar 2. Rozetkaya qoşulun

3. Tutacaq 4. Çərçivə

5. Qapaq 6. İdarəetmə paneli

7. DC elektrik kabeli - Səyahət zamanı istifadə etmək üçün birbaşa avtomobilinizin siqaret alışqanına qoşun

İDARƏ PANOSU - Şəkil B

A – Gücü ON/OFF düyməsi

B - SET düyməsi

C - Güc göstəricisi

D - Səhv göstəricisi

E - LCD displey

F - "+" düyməsi

G - "-" düyməsi

XİDMƏT

• Portativ soyuducunu standart 12V rozetkaya qoşmağa cəhd edərkən, rozetkanın gərginliyi 9,6V-dan aşağı olarsa, qurğu işləməyəcək.

• Cihazı standart 24V rozetkaya qoşmağa cəhd edərkən, çıxışdakı gərginlik 21,3V-dən az olarsa, cihaz gərginlik 25,2V və ya daha yüksək səviyyəyə çatdıqda yenidən işə düşəcək.

• Cihaz həmçinin xarici enerji təchizatı (daxil deyil) vasitəsilə 230V ~50/60Hz elektrik şəbəkəsinə qoşula bilər. Tövsiyə olunan AC/DC enerji təchizatı modeli CR8076.1-dir.

İDARƏ PANOSU (7) - Şəkil B

Portativ soyuducunuz termostati tənzimləmək üçün rəqəmsal idarəetmə sistemindən istifadə edir.

* Enerji düyməsi (A) - ON / Off

1. Soyuducunu enerji təchizatına qoşun, cihazı yandırmaq üçün güc düyməsini (A) bir dəfə basın.

2. Güc düyməsini (A) yenidən basın, soyuducu sönəcək.

*SET düyməsi:

SET düyməsini 3 saniyə uzun müddət basın və qabaqcıl rejimlərə daxil olun:

GƏRİLMƏNİN MÜDAFİƏ REJİMİ:

Cihaz soyuducunun normal işini qoruyan və avtomobilin akkumulyatorunu qoruyan üç akkumulyatordan qorunma funksiyasına malikdir.

Bu üç batareya mühafizəsi səviyyəsi:

H3 - yüksək səviyyəli qorunma

12V gərginlik üçün: 10.9V-da dayanır və 12.2V-da başlayır.

24V gərginlik üçün: 23.8V-də dayanır və 25.2V-da başlayır.

H2 - orta səviyyəli qorunma

12V gərginlik üçün: 9.7V-də dayanır və 11.0V-da başlayır.

24V gərginlik üçün: 21.5V-də dayanır və 22.9V-da başlayır.

H1 - aşağı qorunma səviyyəsi:

12V gərginlik üçün: 9.6V-də dayanır və 10.9V-da başlayır.

24V gərginlik üçün: 21.3V-də dayanır və 22.7V-də başlayır.

Funksiyanı seçmək üçün "+" və ya "-" düyməsini qısa basın. Soyuducu ilk istifadəyə hazır olduqda funksiya "H2" orta qorunma səviyyəsinə təyin edilir.

DİQQƏT:

Cihaz avtomobildə istifadə edildikdə, batareyanın qorunmasını H2 (orta səviyyə) vəziyyətinə təyin etmək tövsiyə olunur.

Xarici batareya və ya ehtiyat batareyadırsa, batareyanın qorunmasını H2 (orta səviyyə) və ya H1 (aşağı səviyyə) olaraq təyin etmək tövsiyə olunur.

Avtomobilin müxtəlif enerji təchizatı çıxışlarından çıxış gərginliyindəki fərqə görə, gərginlik mühafizəsi varsa (LCD displeydə F1 göstərilir), batareyanın funksiyası daha aşağı səviyyəyə endirilə bilər (H3 H2 və ya H1-ə keçir).

* "+" (F) düyməsi yuxarıda təsvir olunan temperaturu və ya digər parametrləri artırmaq üçün istifadə olunur.

* "-" düyməsi (G) yuxarıda təsvir olunan temperaturu və ya digər parametrləri azaltmaq üçün istifadə olunur.

* Güc göstəricisi (C):

- Soyuducu işə salındıqda göstərici işığı qırmızıdır.

- Soyuducu söndürüldükdə göstərici işığı söndür.

* Səhv göstəricisi (D):

- Arızalı halda səs signalı davamlı olaraq çalacaq.

- Ekranda xəta kodları görünəcək.

- Səhv göstəricisi (D) mavi yanır.

* LCD displey (E): göstərir

- Temperatur və digər parametrləri göstərir.

- Arıza kodları ekranda aşağıdakı kimi görünə bilər:

F1: Gərginlik nasazlığı

F2: Fan cərəyanının nasazlığı

F3: Kompresor işə salınma xətası

F4: Kompresorun minimum sürətində nasazlıq

F5: Nəzarətçinin temperatur xətası

E0: Sensor dövrəsi kəsildi

E1: Sensor qısa qapanması

LCD displey temperaturu -20°C ilə +20°C arasında təyin etməyə imkan verir. Cihazın daxilində əldə edilən faktiki temperatur xarici şəraitdən asılıdır. Məsələn, +25 °C ətraf mühit temperaturunda cihazın daxilində əldə edilən ən aşağı temperatur -20 °C-dir. Cihazın istilik funksiyası yoxdur.

QEYD: Sistem nasazdırsa, əvvəlcə batareya gərginliyinin düzgün olub olmadığını yoxlayın. Batareyanın gərginliyi düzgündürsə, soyuducunu işə salmadan əvvəl 3 dəqiqə gözləyin. Cihazı yenidən başladıldıqdan sonra sistem hələ də nasazlıq göstərsə, yardım üçün xidmətlə əlaqə saxlayın.

Saxlama üçün ümumi temperatur parametrləri:

• Şərablar (+6 °C ilə +18 °C arasında)

• Peyvəndlər, İnsulin (+ 2 °C ilə - 8 °C arasında)

• Meyvələr (4°C ilə -6°C arasında)

- İçkilər (2°C ilə - 5°C arasında)
- Ət (-10°C)
- Dondurma (-15°C)

Dərmanları soyuducuda saxlamaq istəyirsinizsə, ehtiyatlı olun.

TƏMİZLİK VƏ XİDMƏT

Təmizləmədən əvvəl həmişə cihazı ayırın.

Yumşaq yuyucu vasitələrdən istifadə edərək yumşaq, quru parça ilə təmizləyin. Kimyəvi həlledicilərdən istifadə etməyin, çünki onlar cihazın daimi zədələnməsinə və ya deformasiyasına səbəb ola bilər.

GİDERME

Ümumi problemləri həll etmək üçün aşağıdakı problemlərin aradan qaldırılması təlimatına əməl edin.

Problem I: Cihaz ümumiyyətlə işləmir və heç bir güc əlaməti göstərmir.

Mümkün səbəb 1: Cihaz enerji almır.

Mümkün səbəbin həlli 1: Cihazın qoşulduğundan əmin olun.

Mümkün səbəb 2: Qeyri-kafi güc.

Mümkün səbəbin həlli 2: Cihazı başqa bir rozetkaya köçürün. Elektrik kəsicisini yoxlayın. (Cari çəkilişi müəyyən etmək üçün bölmənin arxasındakı ad lövhəsinə baxın).

Mümkün səbəb 3: DC elektrik kabeli

Mümkün Səbəb 4 üçün Həll: Cihazı başqa bir enerji təchizatı ilə yoxlayın, məsələn, məlum işləyən DC çıxışı olan başqa bir avtomobil.

Mümkün səbəb 4: Kabellərin ayrılması.

Mümkün səbəbin həlli 5: Müştəri xidməti ilə əlaqə saxlayın.

Problem II: Cihaz qəribə səslər çıxarır.

Mümkün səbəb 1: Cihaz səviyyəli deyil.

Həll yolu 1: Cihazı düz, üfüqi bir səthə köçürün.

Problem III: Cihaz yüksək, davamlı metal klik səsi çıxarır.

Mümkün səbəb 1: Cihaz yan tərəfə göndərilmiş ola bilər.

Həll yolu 1: Cihazınızı söndürün. Cihazı ən azı 24 saat düz bir səthdə saxlayın və yenidən başladın.

Mümkün səbəb 2: Qüsurlu kompressor

Həll yolu 2: Müştəri xidməti ilə əlaqə saxlayın.

Problem IV: Cihaz bir müddət işləyir və sonra elektrik kabelini və ya elektrik açarını söndürür.

Mümkün səbəb: Cihaz adekvat cərəyanı təmin etməyən rozetkaya qoşulmuş ola bilər.

Həll yolu: Cihaz başqa otaqda və ya dövrədə işləyirsə, elektrikçi ilə əlaqə saxlayın.

Problem V: İdarəetmə panelinin işıqları təsadüfi yanıb-sönür.

Mümkün səbəb: Cihazın idarəetmə paneli zədələnmiş ola bilər.

Həll yolu: Cihazınızı yenidən başladın və problem davam edərsə, müştəri dəstəyi ilə əlaqə saxlayın.

Məsələ VI: Cihaz HH xətası ilə qarşılaşdı

Mümkün səbəb: Ətraf mühitin temperaturu 40°C-ni keçib.

Həll yolu: Cihazınızı yenidən başladın və problem davam edərsə, müştəri dəstəyi ilə əlaqə saxlayın.

Problem VII: Cihazda OC xətası var.

Mümkün səbəb: Termostat xətası aşkarlandı.

Həll yolu: Cihazınızı yenidən başladın və problem davam edərsə, müştəri dəstəyi ilə əlaqə saxlayın.

Problem VIII: Cihaz SC xətası ilə qarşılaşdı

Mümkün səbəb: Termostatda qısaqapanma aşkar edilib.

Həll yolu: Cihazınızı yenidən başladın və problem davam edərsə, müştəri dəstəyi ilə əlaqə saxlayın.

Problem IX: Cihaz enerjilidir, lakin kompressor işləmir.

Mümkün səbəb 1: Ətraf mühitin temperaturu çox aşağıdır.

Həll yolu 1: Cihazı daha isti yerə köçürün.

Mümkün səbəb 2: Kabelin ayrılması.

Həll yolu 2: Müştəri xidməti ilə əlaqə saxlayın.

DİQQƏT: YANQIN RISKİ/YANAN MATERİALLAR



TEXNİKİ MƏLUMAT

Həcmi: 40 litr

Enerji təchizatı:

• DC 12V / 24V – avtomobil üçün alışqan yuvası

• 230V ~50/60Hz – xarici enerji təchizatı istifadə edildikdən sonra elektrik rozetkəsi (daxil deyil)

Soyuducu: R600a / 40g

İqlim sinfi: S / SN

İzolyasiya: C5H10

Nominal enerji istehlakı: 45W

Maksimum nominal cərəyan: 3.7A

Ətraf mühit naminə. Karton qablaşdırma və polietilen (PE) torbalar onların təsvirinə uyğun olaraq məişət tullantılarının seçmə yığılması üçün nəzərdə tutulmuş müvafiq qablara atılmalıdır. Cihazda batareyalar varsa, onlar çıxarılmalı və ayrıca toplama və saxlama məntəqəsinə aparılmalıdır. İstifadə olunmuş cihaz müvafiq toplama və saxlama məntəqəsinə qaytarılmalıdır, çünki onun tərkibindəki təhlükəli maddələr sağlamlıq və ətraf mühit üçün təhlükə yarada bilər. Məhsulun üzərindəki işarə cihazın məişət tullantıları ilə birlikdə atılmaması lazım olduğunu göstərir. Tullantı elektrik avadanlıqları insan, heyvan və ətraf mühit üçün zərərli maddələr olan tullantılardır. Bu maddələr torpağın, suyun və ya havanın çirklənməsinə səbəb ola bilər və beləliklə də insan orqanizminə daxil olaraq çoxsaylı sağlamlıq xəstəliklərinə səbəb ola bilər, məsələn: görmə, eşitmə və nitq pozğunluqları, həmçinin böyrək, qaraciyər və ürəyin zədələnməsinə, və dəri xəstəliklərinə səbəb olur. Zərərli maddələr tənəffüs və reproduktiv sistemlərə də mənfi təsir göstərərək xərçəngə səbəb ola bilər. Şikayət olunan torpaqlarda bitən bitkilərin və onlardan alınan məhsulların istehlakı yuxarıda qeyd olunan sağlamlığa təsir riski yarada bilər. **Cihazı məişət tullantıları üçün konteynerlərə atmayın!!**

Xidmət Əgər siz ehtiyat hissələri almaq və ya hər hansı şikayət barədə məlumat vermək istəyirsinizsə, lütfən, qəbzi verən satıcı ilə birbaşa əlaqə saxlayın.



Manuali i përdorimit (SQ)

KUSHTET E PËRGJITHSHME TË SIGURISË UDHËZIME TË RËNDËSISHME TË SIGURISË

LEXONI ME KUJDES DHE MBANI PËR REFERENCA TË ARDHMEN

1. Përpara se të përdorni pajisjen, lexoni manualin e përdorimit dhe ndiqni udhëzimet që përmbahen aty. Prodhuesi nuk është përgjegjës për dëmtimin e shaktuar nga përdorimi i pajisjes në kundërshtim me përdorimin e synuar ose funksionimit e pahijshëm.
2. Pajisja është vetëm për përdorim jo komercial. Mos e përdorni për qëllime të tjera që nuk janë në përputhje me qëllimin e synuar.
3. Në varësi të nevojës, pajisja duhet të lidhet me prizën e çakmakut në një

makinë me tension 12 V ose 24 V, ose në një prizë 220-240 V ~ 50-60 Hz. (në varësi të llojit të pajisjes, zgjidhni parametrin e duhur të fuqisë).

Për të rritur sigurinë operacionale, mos lidhni disa pajisje elektrike në një qark në të njëjtën kohë.

4. Jini veçanërisht të kujdesshëm kur përdorni pajisjen kur fëmijët janë afër. Fëmijët nuk duhet të lejohen të luajnë me pajisjen Mos lejoni që fëmijët ose personat që nuk e njohin pajisjen ta përdorin atë.

5. PARALAJMËRIM: Kjo pajisje mund të përdoret nga fëmijë mbi 8 vjeç dhe persona me aftësi të reduktuara fizike, shqisore ose mendore, ose njerëz që nuk kanë përvojë ose njohuri për pajisjen, nëse mbikëqyren ose u janë dhënë udhëzime se si të përdorni udhëzimet për përdorimin e sigurt të pajisjes dhe janë të vetëdijshëm për rreziqet që lidhen me përdorimin e saj. Fëmijët nuk duhet të luajnë me pajisjet. Pastrimi dhe mirëmbajtja e pajisjes nuk duhet të kryhen nga fëmijët përveç nëse janë mbi 8 vjeç dhe këto aktivitete kryhen nën mbikëqyrje.

6. Sa herë që të keni mbaruar përdorimin e tij, hiqni spinën nga priza duke e mbajtur prizën me dorën tuaj. MOS e tërhiqni kordonin e rrymës.

7. Mos e zhytni kabllon, spinën ose të gjithë pajisjen në ujë ose ndonjë lëng tjetër. Mos e ekspozoni pajisjen ndaj kushteve të motit (shiu, dielli, etj.) ose mos e përdorni në kushte lagështie të shtuar (banjo, shtëpi me lagështirë kampingu).

8. Kontrolloni periodikisht gjendjen e kordonit të rrymës. Nëse kordoni i rrymës është i dëmtuar, ai duhet të zëvendësohet nga një pajisje e specializuar riparimi për të shmangur një rrezik.

9. Mos e përdorni pajisjen nëse kordoni i rrymës është i dëmtuar, nëse ka rënë ose është dëmtuar në ndonjë mënyrë ose nëse nuk funksionon normalisht. Mos e riparoni vetë pajisjen, pasi kjo mund të rezultojë në goditje elektrike. Merrni pajisjen e dëmtuar në qendrën e duhur të shërbimit për inspektim ose riparim. Të gjitha riparimet mund të kryhen vetëm nga pikat e autorizuar të shërbimit. Riparimet e kryera në mënyrë jo të duhur mund të përbëjnë një kërcënim serioz për përdoruesin.

10. Vendoseni pajisjen në një sipërfaqe të ftohtë, të qëndrueshme, të njëtrajtshme që mund të mbajë peshën e pajisjes dhe të gjithë përmbajtjen e saj, larg pajisjeve të nxehta të kuzhinës si: sobë elektrike, djegës me gaz etj.

11. Mos e përdorni pajisjen pranë materialeve të ndezshme.

12. Kordoni i rrymës nuk duhet të varet mbi skajin e tavolinës ose të prekë sipërfaqe të nxehta.

13. Për të siguruar mbrojtje shtesë, këshillohet të instaloni një pajisje të rrymës

së mbetur (RCD) në qarkun elektrik me një rrymë të mbetur nominale jo më të madhe se 30 mA. Në këtë drejtim, ju lutemi kontaktoni një elektrikist specialist.

14. Mos e përdorni pajisjen nëse prizat e lidhjes janë të lagura.

15. Kur përdorni pajisjen në një makinë ose në një varkë, kontrolloni nëse siguresa që mbron sistemin e furnizimit me energji është funksionale.

16. Mbroni pajisjen nga burimet e nxehtësisë dhe rrezet e diellit.

17. Vendosni produkte tashmë të ftohur në pajisje.

18. Vendoseni pajisjen në një vend me ajrim të duhur. Distanca nga objektet e tjera duhet të jetë së paku 20 cm.

19. PARALAJMËRIM: Mos i bllokoni hapjet e ventilimit në kabinën e pajisjes.

20. PARALAJMËRIM: Mbroni qarkun që përmban ftohësin nga dëmtimi.

21. PARALAJMËRIM: Mos përdorni ose ruani pajisje elektrike brenda ndarjes së ushqimit.

22. PARALAJMËRIM: Hapja e derës për një kohë të gjatë mund të shkaktojë një rritje të ndjeshme të temperaturës në dhomat e pajisjes.

23. PARALAJMËRIM: Pastroni rregullisht sipërfaqet që mund të vijnë në kontakt me ushqimin.

24. PARALAJMËRIM: Ruani mishin dhe peshkun e papërpunuar në kontejnerë të caktuar në mënyrë që produktet të mos prekin njëri-tjetrin dhe të mos pikojnë mbi ushqime të tjera.

25. PARALAJMËRIM: Nëse pajisja juaj frigoriferike ka mbetur bosh për një kohë të gjatë, fikeni, shkrini, pastroni, thajeni dhe lëreni derën hapur për të parandaluar formimin e mykut në pajisje.

26. PARALAJMËRIM: Mos ruani materiale shpërthyes si kanaçe me aerosol të ndezshëm, etj. brenda frigoriferit.

27. PARALAJMËRIM: Kur vendosni pajisjen, sigurohuni që kordoni i rrymës të mos jetë i mbërthyer nga frigoriferi ose i dëmtuar.

28. PARALAJMËRIM: Mos vendosni kablllo zgjatuese ose furnizime portative me energji pranë ose pas pajisjes.

29. PARALAJMËRIM: Mos përdorni pajisje ose agentë mekanikë për të përshpejtuar procesin e shkrirjes, përveç atyre të rekomanduara nga prodhuesi.

Para përdorimit të parë: Vendndodhja e duhur

1. Përpara përdorimit të parë, hiqni të gjithë paketimin dhe lini të paktën 15 cm hapësirë të lirë rreth pajisjes (5 cm në anën, 10 cm në anën e pasme të pajisjes).

2. Vendoseni frigoriferin në një vend të thatë dhe të ajrosur mirë. Frigoriferi duhet të ruhet larg rrezeve të diellit direkte, radiatorëve dhe gazeve gërryese.

SHËNIM: Meqenëse njësia është e bazuar në kompresor, kërkohet hapësirë e madhe rreth njësisë për të lejuar gjakderdhjen e duhur.

SHËNIM: Nuk rekomandohet lëvizja e pajisjes nëse dyshejma nuk është e lëmuar. Mos e përdorni nëse frigoriferi është i anuar. Nëse frigoriferi tërhiqet zvarrë në një vend për përdorim, vendoseni drejt dhe prisni 10 minuta përpara se ta përdorni. Kur lëvizni frigoriferin, përdorni gjithmonë të dyja dorezat për ta mbajtur pajisjen sa më horizontalisht të jetë e mundur. Kjo është për të mbrojtur kompresorin dhe sistemin e mbyllur

PARALAJMËRIM: Përdorni të paktën dy persona për të lëvizur dhe përdorur këtë pajisje. Mosrespektimi i këtij paralajmërimi mund të rezultojë në shpinë ose lëndime të tjera.

3. Nëse është e mundur, ruajeni ftohësin tuaj portativ larg nxehtësisë dhe rrezet e diellit direkte.

4. Ftohësi portativ është i përshtatshëm për përdorim në makinë dhe kamping, por njësia nuk duhet të ekspozohet ndaj shiut ose kushteve të tjera të vështira të motit.

5. Frigoriferi i lëvizshëm nuk duhet të vendoset në një vend të integruar ose prerje. Pajisja është projektuar si e lirë.

6. Funksionimi normal i frigoriferit varet nga rrezatimi termik i kondensatorit.

7. Pastroni sipërfaqen e brendshme me pak ujë të vakët dhe një leckë të butë.

Shënim: Kur lidhni kordonin e rrymës DC, sigurohuni që hyrja të jetë burim energjie 12V~DC/24V.

E RËNDËSISHME: Mos hiqni asnjë etiketë paralajmërimi, paralajmërimi ose informacioni të produktit nga ftohësi portativ i makinës suaj.

PËRSHKRIMI Frigoriferi portativ - Figura A

1. Bazat 2. Priza e prizës

3. Doreza 4. Kornizë

5. Mbulesa 6. Paneli i kontrollit

7. Kordoni i rrymës DC - Për përdorim gjatë udhëtimit, futeni direkt në çakmakun e makinës suaj

PANELI KONTROLL - Figura B

A – Butoni i ndezjes/fikjes së energjisë

B - butoni SET

C - Treguesi i fuqisë

D - Treguesi i gabimit

E - Ekran LCD

F - butoni "+".

G – butoni "-".

SHËRBIMI

- Kur përpiqeni të lidhni një ftohës portativ në një prizë standarde 12 V, njësia nuk do të funksionojë nëse voltazhi i prizës është nën 9,6 V. Njësia do të rindizet kur voltazhi të arrijë 12,2 V ose më shumë.
- Kur përpiqeni të lidhni pajisjen në një prizë standarde 24 V, pajisja nuk do të funksionojë nëse voltazhi në prizë është më i vogël se 21,3 V Pajisja do të rindizet kur voltazhi të arrijë 25,2 V ose më shumë.
- Pajisja mund të lidhet gjithashtu me një rret 230V ~50/60Hz duke përdorur një furnizim të jashtëm me energji (nuk përfshihet). Modeli i rekomanduar i furnizimit me energji AC/DC është CR8076.1.

PANELI KONTROLL (7) - Figura B

Frigoriferi juaj portativ përdor një sistem kontrolli dixhital për të rregulluar termostatit.

* Butoni i energjisë (A) - ON / Fikur

1. Lidhni frigoriferin me furnizimin me energji elektrike, shtypni butonin e ndezjes (A) një herë për të ndezur pajisjen.

2. Shtypni sërish butonin e ndezjes (A), frigoriferi do të fiket.

* Butoni SET:

Shtypni gjatë butonin SET për 3 sekonda dhe futni modalitetet e avancuara:

MËNYRA E MBROJTJES SË IV-voltazhit:

Pajisja ka tre funksione të mbrojtjes së baterisë, të cilat mbrojnë funksionimin normal të frigoriferit dhe mbrojnë baterinë e automjetit.

Këto tre nivele të mbrojtjes së baterisë:

H3 – niveli i lartë i mbrojtjes

për tensionin 12V: ndalon në 10.9V dhe fillon në 12.2V.

për tensionin 24V: ndalon në 23.8V dhe fillon në 25.2V.

H2 – niveli mesatar i mbrojtjes

për tensionin 12V: ndalon në 9.7V dhe fillon në 11.0V.

për tensionin 24V: ndalon në 21.5V dhe fillon në 22.9V.

H1 - niveli i ulët i mbrojtjes:

për tensionin 12V: ndalon në 9.6V dhe fillon në 10.9V.

për tensionin 24V: ndalon në 21.3V dhe fillon në 22.7V.

Shtypni shkurt butonin "+" ose "-" për të zgjedhur një funksion. Funksioni vendoset në nivelin mesatar të mbrojtjes "H2" kur frigoriferi të jetë gati për përdorim të parë.

KUJDES:

Rekomandohet të vendosni mbrojtjen e baterisë në H2 (niveli mesatar) kur pajisja përdoret në makinë.

Rekomandohet të vendosni mbrojtjen e baterisë në H2 (niveli mesatar) ose H1 (niveli i ulët) nëse është një bateri e jashtme ose bateri rezervë.

Për shkak të ndryshimit në tensionin e daljes nga daljet e ndryshme të furnizimit me energji të automjetit, nëse ka mbrojtje ndaj tensionit (ekrani LCD tregon F1), funksioni i baterisë mund të reduktohet në një më të ulët (H3 kalohet në H2 ose H1).

* Butoni "+" (F) përdoret për të rritur temperaturën ose cilësimet e tjera të përshkruara më sipër.

* Butoni "-" (G) përdoret për të ulur temperaturën ose cilësimet e tjera të përshkruara më sipër.

* Treguesi i fuqisë (C):

- Kur frigoriferi është i ndezur, drita treguese është e kuqe.

- Kur frigoriferi fiket, drita treguese fiket.

* Treguesi i gabimit (D):

- Në rast dështimi, zilja do të bjerë vazhdimisht.

- Kodet e defektit do të shfaqen në ekran.

- Treguesi i gabimit (D) ndizet blu.

* Ekрани LCD (E): tregon

- Shfaq temperaturën dhe cilësimet e tjera.

- Kodet e defektit mund të shfaqen në ekran si më poshtë:

F1: Dështimi i tensionit

F2: Dështimi i rrymës së ventilatorit

F3: Gabim në fillimin e kompresorit

F4: Dështimi i shpejtësisë minimale të kompresorit

F5: Gabim i temperaturës së kontrolluesit

E0: Qarku i sensorit është ndërprerë

E1: Qark i shkurtër i sensorit

Ekрани LCD ju lejon të vendosni temperaturën nga -20°C në +20°C. Temperatura aktuale e arritur brenda pajisjes varet nga kushtet e jashtme. Për shembull, në një temperaturë ambiente prej +25°C, temperatura më e ulët e arritur brenda pajisjes është -20°C. Pajisja nuk ka funksion ngrohjeje.

SHËNIM: Nëse sistemi nuk funksionon, fillimisht kontrolloni nëse tensioni i baterisë është i saktë. Nëse voltazhi i baterisë është i saktë, prisni 3 minuta përpara se të ndizni frigoriferin. Nëse sistemi ende nuk funksionon pas rindezjes së pajisjes, kontaktoni shërbimin për ndihmë.

Cilësimet e zakonshme të temperaturës për ruajtje:

• Verërat (nga +6 °C në +18 °C)

• Vaksinat, Insulinë (nga + 2 °C në - 8 °C)

• Frutat (nga 4°C në -6°C)

• Pije (nga 2°C në - 5°C)

• Mish (-10 °C)

• Akulllore (-15°C)

Kini kujdes nëse dëshironi t'i ruani ilaçet në frigorifer. Para se t'i vendosni ato në pajisje, ushqimi duhet të pakëtohet në enë/qese të destinuar për këtë qëllim.

PASTRIMI DHE MIRËBAJTJA

Gjithmonë hiqeni pajisjen nga priza përpara se ta pastroni.

Pastroni me një leckë të butë dhe të thatë duke përdorur detergjentë të butë. Mos përdorni tretës kimikë pasi mund të shkaktojnë dëmtim të përhershëm ose deformim të pajisjes.

ZGJIDHJA E PROBLEMEVE

Ndiqni udhëzuesin e zgjidhjes së problemeve më poshtë për të zgjidhur problemet e zakonshme.

Problemi I: Pajisja nuk funksionon fare dhe nuk tregon shenja të fuqisë.

Shkaku i mundshëm 1: Pajisja nuk po merr energji elektrike.

Zgjidhja për shkaku e mundshëm 1: Sigurohuni që pajisja të jetë e lidhur.

Shkaku i mundshëm 2: Fuqia e pamjaftueshme.

Zgjidhja për shkaku e mundshëm 2: Zhvendoseni pajisjen në një prizë tjetër. Kontrolloni ndërprerësin. (Shihni pllakën e emrit në pjesën e pasme të njësisë për të përcaktuar tërheqjen aktuale).

Shkaku i mundshëm 3: Kabloja e rrymës DC

Zgjidhja për shkaku e mundshëm 4: Provoni pajisjen me një furnizim tjetër me energji elektrike, si p.sh. një automjet tjetër me një prizë të njohur DC që funksionon.

Shkaku i mundshëm 4: Kabllot e shkëputura.

Zgjidhja për shkaku e mundshëm 5: Kontaktoni shërbimin ndaj klientit.

Problemi II: Pajisja bën zhurma të çuditshme.

Shkaku i mundshëm 1: Pajisja nuk është në nivel.

Zgjidhja 1: Zhvendoseni pajisjen në një sipërfaqe të sheshtë, horizontale.

Problemi III: Pajisja prodhon një tingull të fortë, të vazhdueshëm klikimi metalik.

Shkaku i mundshëm 1: Njësia mund të jetë dërguar anash.

Zgjidhja 1: Fikni pajisjen tuaj. Lëri pajisjen në një sipërfaqe të sheshtë për të paktën 24 orë dhe rindizni atë.

Shkaku i mundshëm 2: Kompresori me defekt

Zgjidhja 2: Kontaktoni shërbimin ndaj klientit.

Problemi IV: Pajisja punon për pak kohë dhe më pas fik kordonin e rrymës ose ndërprerësin.

Shkaku i mundshëm: Pajisja mund të futet në një prizë që nuk jep rrymë adekuate.

Zgjidhja: Kontaktoni një elektrikist nëse njësia funksionon në një dhomë ose qark tjetër.

Problemi V: Dritat e panelit të kontrollit puls në mënyrë të rastësishme.

Shkaku i mundshëm: Pajisja mund të ketë një panel kontrolli të dëmtuar.

Zgjidhja: Rinisni pajisjen tuaj dhe nëse problemi vazhdon, kontaktoni mbështetjen e klientit.

Çështja VI: Pajisja ka hasur në një gabim HH

Shkaku i mundshëm: Temperatura e ambientit ka tejkaluar 40°C.

Zgjidhja: Rinisni pajisjen tuaj dhe nëse problemi vazhdon, kontaktoni mbështetjen e klientit.

Problemi VII: Pajisja ka një gabim OC.

Shkaku i mundshëm: U zbulua një gabim i termostatit.

Zgjidhja: Rinisni pajisjen tuaj dhe nëse problemi vazhdon, kontaktoni mbështetjen e klientit.

Problemi VIII: Pajisja ka hasur në një gabim SC

Shkaku i mundshëm: Është zbuluar një qark i shkurtër në termostat.

Zgjidhja: Rinisni pajisjen tuaj dhe nëse problemi vazhdon, kontaktoni mbështetjen e klientit.

Problemi IX: Pajisja furnizohet me energji, por kompresori nuk funksionon.

Shkaku i mundshëm 1: Temperatura e ambientit është shumë e ulët.

Zgjidhja 1: Zhvendoseni pajisjen në një vend më të ngrohtë.

Shkaku i mundshëm 2: Kabloja e shkëputur.

Zgjidhja 2: Kontaktoni shërbimin ndaj klientit.

KUJDES: RREZIK ZJARR/MATERIALE TË NDJEKSHME



TË DHËNAT TEKNIKE

Kapaciteti: 40 litra

Furnizimi me energji elektrike:

• DC 12V / 24V – fole çakmakja e makinës

• 230V ~50/60Hz – prizja e rrjetit pas përdorimit të një furnizimi të jashtëm me energji (nuk përfshihet)

Ftohësi: R600a / 40 g

Klasa klimatike: S / SN

Izolimi: C5H10

Konsumi i vlerësuar i energjisë: 45 W

Rryma maksimale e vlerësuar: 3.7A

Për hir të mjedisit. Ambalazhet prej kartoni dhe qeset e polietilenit (PE) duhet të hidhen në kontejnerë të përshtatshëm të destinuar për grumbullimin selektiv të mbeturinave komunale në përputhje me përshkrimin e tyre. Nëse ka bateri në pajisje, ato duhet të hiqen dhe të hidhen veçmas në një pikë grumbullimi dhe magazinimi. Pajisja e përdorur duhet të kthehet në një pikë të përshtatshme grumbullimi dhe magazinimi, pasi substancat e rrezikshme që përmban mund të përbëjnë një kërcënim për shëndetin dhe mjedisin. Shënimi në produkt tregon se pajisja nuk duhet të hidhet me mbeturinat komunale. Mbetjet e pajisjeve elektrike janë mbetje që përmbajnë substanca të dëmshme për njerëzit, kafshët dhe mjedisin. Këto substanca mund të çojnë në ndotjen e tokës, ujit ose ajrit, dhe kështu mund të hyjnë në trupin e njeriut dhe të çojnë në sëmundje të shumta shëndetësore, si: çrregullime të shikimit, dëgjimit dhe të folurit, si dhe mund të çojnë në dëmtime të veshkave, mëlçisë dhe zembrës. dhe shkaktojnë sëmundje të lëkurës. Substancat e dëmshme gjithashtu mund të kenë një efekt negativ në sistemin e frymëmarrjes dhe riprodhimit dhe të çojnë në kancer. Konsumimi i bimëve që rriten në tokat e ankuara dhe produkteve që rrjedhin prej tyre mund të përbëjnë rrezik për efektet e mësipërme shëndetësore. **Mos e hidhni pajisjen në kontejnerët e mbeturinave komunale!!**
Shërbimi Nëse dëshironi të blini pjesë këmbimi ose të raportoni ndonjë ankesë, ju lutemi kontaktoni drejtpërdrejt shitësin që ka lëshuar faturën.



ინსტრუქცია (KA)

უსაფრთხოების ზოგადი პირობები

უსაფრთხოების მნიშვნელოვანი ინსტრუქციები

წაკითხეთ ყურადღებით და შეინახეთ მომავალი მითითებისთვის

1. მოწყობილობის გამოყენებამდე წაკითხეთ მომხმარებლის სახელმძღვანელო და მიჰყევით მასში მოცემულ ინსტრუქციას. მწარმოებელი არ არის პასუხისმგებელი მოწყობილობის დანიშნულებისამებრ გამოყენების ან არასათანადო მუშაობის შედეგად გამოწვეული ზიანისთვის.
2. მოწყობილობა განკუთვნილია მხოლოდ არაკომერციული გამოყენებისთვის. არ გამოიყენოთ სხვა მიზნებისთვის, რომელიც არ შეესაბამება მის დანიშნულებას.
3. საჭიროებიდან გამომდინარე, მოწყობილობა უნდა იყოს მიერთებული 12V ან 24V ძაბვის მქონე ავტომობილის სანთებელას ან 220-240 V ~ 50-60 Hz ქსელში. (დამოკიდებულია მოწყობილობის ტიპზე,

აირჩიეთ შესაბამისი სიმძლავრის პარამეტრი).

ოპერაციული უსაფრთხოების გაზრდის მიზნით, არ დააკავშიროთ რამდენიმე ელექტრო მოწყობილობა ერთდროულად ერთ წრეში.

4. განსაკუთრებით ფრთხილად იყავით მოწყობილობის გამოყენებისას, როდესაც ბავშვები ახლოს არიან. ბავშვებს არ უნდა მიეცეთ საშუალება, ითამაშონ მოწყობილობასთან.

5. გაფრთხილება: ეს მოწყობილობა შეიძლება გამოიყენონ 8 წელზე უფროსი ასაკის ბავშვებმა და შემცირებული ფიზიკური, სენსორული ან გონებრივი შესაძლებლობების მქონე პირებმა, ან ადამიანები, რომლებსაც არ გააჩნიათ გამოცდილება ან ცოდნა აღჭურვილობის შესახებ, თუ მათ მეთვალყურეობენ ან მიეცათ ინსტრუქციები.

გამოიყენეთ ინსტრუქციები მოწყობილობის უსაფრთხო გამოყენების შესახებ და იცოდეთ მის გამოყენებასთან დაკავშირებული საფრთხეები. ბავშვებს არ უნდა ეთამაშათ აღჭურვილობა. მოწყობილობის გაწმენდა და მოვლა არ უნდა ჩატარდეს ბავშვების მიერ, თუ ისინი არ არიან 8 წელზე უფროსი ასაკის და ეს აქტივობები ხორციელდება მეთვალყურეობის ქვეშ.

6. როდესაც დაასრულებთ მის გამოყენებას, ამოიღეთ შტეფსელი დენის სოკეტიდან ხელით დაჭრით. არ გაჭიმოთ დენის კაბელი.

7. არ ჩაყაროთ კაბელი, შტეფსელი ან მთელი მოწყობილობა წყალში ან სხვა სითხეში. არ დაუშვათ მოწყობილობა ამინდის პირობებში (წვიმა, მზე და ა.

8. პერიოდულად შეამოწმეთ კვების კაბელის მდგომარეობა. თუ დენის კაბელი დაზიანებულია, ის უნდა შეიცვალოს სპეციალისტმა სარემონტო ობიექტმა, რათა თავიდან აიცილოთ საფრთხე.

9. არ გამოიყენოთ მოწყობილობა, თუ დენის კაბელი დაზიანებულია, თუ ის ჩამოვარდა ან რაიმე სახით დაზიანდა, ან თუ ის ნორმალურად არ მუშაობს. არ შეაკეთოთ მოწყობილობა საკუთარ თავს, რადგან ამან შეიძლება გამოიწვიოს ელექტროშოკი. მიიტანეთ დაზიანებული მოწყობილობა შესაბამის სერვის ცენტრში შესამოწმებლად ან შესაკეთებლად. ყველა შეკეთება შეიძლება შესრულდეს მხოლოდ ავტორიზებული სერვისცენტრების მიერ. არასწორად შესრულებულმა რემონტმა შეიძლება სერიოზული საფრთხე შეუქმნას მომხმარებელს.

10. მოათავსეთ მოწყობილობა გრილ, მდგრად, თანაბარ ზედაპირზე, რომელსაც შეუძლია გაუძლოს მოწყობილობის წონას და მის მთელ შიგთავსს, მოშორებით ცხელი სამზარეულოს ტექნიკისგან, როგორცაა:

ელექტრო დუმელი, გაზერა და ა.შ.

11. არ გამოიყენოთ მოწყობილობა აალებადი მასალების მახლობლად.
12. დენის კაბელი არ უნდა ეკიდოს მაგიდის კიდეს და არ უნდა ეხებოდეს ცხელ ზედაპირებს.
13. დამატებითი დაცვის უზრუნველსაყოფად, მიზანშეწონილია ელექტრულ წრეში დამონტაჟდეს ნარჩენი დენის მოწყობილობა (RCD), რომლის ნომინალური ნარჩენი დენი არ აღემატება 30 mA-ს. ამასთან დაკავშირებით, გთხოვთ, დაუკავშირდეთ სპეციალისტ ელექტრიკოსს.
14. არ გამოიყენოთ მოწყობილობა, თუ დამაკავშირებელი სოკეტები სველია.
15. აპარატის მანქანაში ან ნავზე გამოყენებისას შეამოწმეთ მუშაობს თუ არა ელექტრომომარაგების სისტემის დამცავი დაუკრავენ.
16. დაიცავით მოწყობილობა სითბოს წყაროებისა და მზისგან.
17. ჩადეთ უკვე გაცივებული პროდუქტები მოწყობილობაში.
18. მოათავსეთ მოწყობილობა სათანადო ვენტილაციის მქონე ადგილას. მანძილი სხვა ობიექტებისგან უნდა იყოს მინიმუმ 20 სმ.
19. გაფრთხილება: არ დაბლოკოთ სავენტილაციო ღიობები მოწყობილობის კორპუსში.
20. გაფრთხილება: დაიცავით მაცივრის შემცველი წრე დაზიანებისგან.
21. გაფრთხილება: არ გამოიყენოთ ან შეინახოთ ელექტრო მოწყობილობები საკვების შესანახ განყოფილებაში.
22. გაფრთხილება: კარის ხანგრძლივად გაღებამ შეიძლება გამოიწვიოს ტემპერატურის მნიშვნელოვანი მატება მოწყობილობის კამერებში.
23. გაფრთხილება: რეგულარულად გაასუფთავეთ ზედაპირები, რომლებიც შეიძლება მოხვდეს საკვებთან.
24. გაფრთხილება: ნედლი ხორცი და თევზი შეინახეთ დანიშნულ ჭურჭელში, რათა პროდუქტები არ შეეხოს ერთმანეთს და არ გადაწვეს სხვა საკვებზე.
25. გაფრთხილება: თუ თქვენი სამაცივრო მოწყობილობა დიდხანს დარჩა ცარიელი, გამორთეთ, გაყინეთ, გაასუფთავეთ, გააშრეთ და დატოვეთ კარი ღია, რათა მოწყობილობაში ობის არ წარმოქმნას.
26. გაფრთხილება: არ შეინახოთ მაცივარში ფეთქებადი მასალები, როგორცაა აალებადი აეროზოლის ქილა და ა.შ.
27. გაფრთხილება: მოწყობილობის განლაგებისას, დარწმუნდით, რომ დენის კაბელი არ არის მაცივართან დაჭერილი ან დაზიანებული.
28. გაფრთხილება: არ მოათავსოთ გაფართოების კაბელები ან

პორტატული დენის წყაროები მოწყობილობის მახლობლად ან მის უკან.

29. გაფრთხილება: არ გამოიყენოთ მექანიკური მოწყობილობები ან აგენტები გაღობის პროცესის დასაჩქარებლად, გარდა მწარმოებლის მიერ რეკომენდებული.

პირველ გამოყენებამდე: სათანადო ადგილმდებარეობა

1. პირველ გამოყენებამდე ამოიღეთ მთელი შეფუთვა და დატოვეთ მინიმუმ 15 სმ თავისუფალი ადგილი მოწყობილობის გარშემო (5 სმ გვერდზე, 10 სმ მოწყობილობის უკანა მხარეს).

2. მოათავსეთ მაცივარი მშრალ და კარგად ვენტილირებად ადგილას. მაცივარი უნდა ინახებოდეს მზის პირდაპირი სხივებისგან, რადიატორებისა და კოროზიული გაზებისგან მოშორებით.

შენიშვნა: ვინაიდან დანადგარი კომპრესორზეა დაფუძნებული, ბლოკის ირგვლივ დიდი სივრცეა საჭირო, რათა მოხდეს სათანადო სისხლდენა.

შენიშვნა: არ არის რეკომენდებული მოწყობილობის გადატანა, თუ იატაკი არ არის გლუვი. არ გამოიყენოთ, თუ მაცივარი დაზრდილია. თუ მაცივარი მიათრევთ გამოსაყენებლად, მოათავსეთ იგი ვერტიკალურად და დაელოდეთ 10 წუთი გამოყენებამდე. მაცივრის გადაადგილებისას ყოველთვის გამოიყენეთ ორივე სახელური, რომ მოწყობილობა მაქსიმალურად ჰორიზონტალურად გადაიტანოთ. ეს არის კომპრესორის და დალუქული სისტემის დასაცავად

გაფრთხილება: გამოიყენეთ მინიმუმ ორი ადამიანი ამ აღჭურვილობის გადასადგილებლად და მუშაობისთვის. ამ გაფრთხილების შეუსრულებლობამ შეიძლება გამოიწვიოს ზურგის ან სხვა დაზიანება.

3. თუ შესაძლებელია, შეინახეთ თქვენი პორტატული ქულერი სითბოსგან და მზის პირდაპირი სხივებისგან მოშორებით.

4. პორტატული ქულერი ვარგისია მანქანაში და კემპინგის გამოსაყენებლად, მაგრამ მოწყობილობა არ უნდა ექვემდებარებოდეს წვიმას ან სხვა მკაცრი ამინდის პირობებში.

5. გადასატანი მაცივარი არ უნდა განთავსდეს ჩამენებულ ან ჩასასვლელში. მოწყობილობა შექმნილია როგორც თავისუფლად მდგომი.

6. მაცივრის ნორმალური მუშაობა დამოკიდებულია კონდენსატორის სითბურ გამოსხივებაზე.

7. გაწმინდეთ შიდა ზედაპირი ნელთბილი წყლით და რბილი ქსოვილით.

შენიშვნა: DC დენის კაბელის შეერთებისას, დარწმუნდით, რომ შემავალი არის 12V~DC/24V დენის წყარო.

მნიშვნელოვანია: არ ამოიღოთ რაიმე გაფრთხილება, გაფრთხილება ან პროდუქტის საინფორმაციო ეტიკეტები თქვენი პორტატული მანქანის გამაგრებელიდან.

აღწერა პორტატული მაცივარი - სურათი A

1. საფუძვლები 2. შტეფსელი

3. სახელური 4. ჩარჩო

5. საფარი 6. მართვის პანელი

7. DC დენის კაბელი - მოგზაურობის დროს გამოსაყენებლად, შეაერთეთ პირდაპირ თქვენი მანქანის სანთებელკაში

საკონტროლო პანელი - სურათი B

A - ჩართვა/გამორთვის დილაკი

B - SET დილაკი

C - დენის მაჩვენებელი

D - შეცდომის მაჩვენებელი

E - LCD დისპლეი

F - დილაკი "+".

G - დილაკი "-".

სერვისი

- როდესაც ცდილობთ პორტატული გამაგრილებლის შეერთებას სტანდარტულ 12 ვოლტში, დანადგარი არ იმუშავებს, თუ სოკეტის ძაბვა 9.6 ვ-ზე დაბალია.
- როდესაც ცდილობთ მოწყობილობის შეერთებას სტანდარტულ 24 ვოლტში, მოწყობილობა არ იმუშავებს, თუ ძაბვა განყოფილებაში 21,3 ვ-ზე ნაკლებია, მოწყობილობა გადაიტვირთება, როდესაც ძაბვა მიაღწევს 25,2 ვოლტს.
- მოწყობილობა ასევე შეიძლება დაუკავშირდეს 230V ~50/60Hz ქსელს გარე კვების წყაროს გამოყენებით (არ შედის). რეკომენდირებული AC/DC კვების ბლოკის მოდელია CR8076.1.

საკონტროლო პანელი (7) - სურათი B

თქვენი პორტატული მაცივარი იყენებს ციფრული კონტროლის სისტემას თერმოსტატის დასარეგულირებლად.

* ჩართვის დილაკი (A) - ON / გამორთულია

1. შეაერთეთ მაცივარი ელექტრომომარაგებასთან, დააჭირეთ დენის დილაკს (A) ერთხელ, რომ ჩართოთ მოწყობილობა.
2. კვლავ დააჭირეთ ჩართვის დილაკს (A), მაცივარი გამოირთვება.

*SET დილაკი:

დიდხანს დააჭირეთ SET დილაკს 3 წამის განმავლობაში და შედით გაფართოებულ რეჟიმებში:

IVოლტაჟის დაცვის რეჟიმი:

მოწყობილობას აქვს ბატარეის დაცვის სამი ფუნქცია, რომელიც იცავს მაცივრის ნორმალურ მუშაობას და იცავს მანქანის ბატარეას.

ბატარეის დაცვის ეს სამი დონე:

H3 – დაცვის მაღალი დონე

12 ვ ძაბვისთვის: ჩერდება 10.9 ვ-ზე და იწყება 12.2 ვ-ზე.

24 ვ ძაბვისთვის: ჩერდება 23.8 ვ-ზე და იწყება 25.2 ვ-ზე.

H2 – დაცვის საშუალო დონე

12 ვ ძაბვისთვის: ჩერდება 9.7 ვ-ზე და იწყება 11.0 ვ-ზე.

24 ვ ძაბვისთვის: ჩერდება 21,5 ვ-ზე და იწყება 22,9 ვ-ზე.

H1 - დაბალი დაცვის დონე:

12 ვ ძაბვისთვის: ჩერდება 9.6 ვ-ზე და იწყება 10.9 ვ-ზე.

24 ვ ძაბვისთვის: ჩერდება 21.3 ვ-ზე და იწყება 22.7 ვ-ზე.

მოკლედ დააჭირეთ დილაკს "+" ან "-" ფუნქციის ასარჩევად. ფუნქცია დაყენებულია საშუალო დაცვის დონეზე "H2", როდესაც მაცივარი მზად იქნება პირველი გამოყენებისთვის.

ყურადღება:

რეკომენდირებულია ბატარეის დაცვის H2 (საშუალო დონე) დაყენება, როდესაც მოწყობილობა გამოიყენება მანქანაში.

რეკომენდებულია ბატარეის დაცვის H2 (საშუალო დონე) ან H1 (დაბალი დონე) დაყენება, თუ ეს არის გარე ბატარეა ან სათადარიგო ბატარეა.

გამომავალი ძაბვის განსხვავების გამო მანქანის სხვადასხვა კვების წყაროდან, თუ არსებობს ძაბვის დაცვა (LCD ეკრანი აჩვენებს F1), ბატარეის ფუნქცია შეიძლება შემცირდეს დაბალზე (H3 გადართულია H2 ან H1).

* დილაკი "+" (F) გამოიყენება ტემპერატურის ან ზემოთ აღწერილი სხვა პარამეტრების გასაზრდელად.

* დილაკი "-" (G) გამოიყენება ტემპერატურის ან ზემოთ აღწერილი სხვა პარამეტრების შესამცირებლად.

* დენის მაჩვენებელი (C):

- როდესაც მაცივარი ჩართულია, ინდიკატორის შუქი წითელია.

- როდესაც მაცივარი გამორთულია, ინდიკატორის შუქი ჩაქრება.

* შეცდომის მაჩვენებელი (D):

- წარუმატებლობის შემთხვევაში ზუმერი განუწყვეტლივ დარეკავს.

- შეცდომების კოდები გამოჩნდება ეკრანზე.

- შეცდომის ინდიკატორი (D) ანათებს ლურჯად.

* LCD დისპლეი (E): აჩვენებს

- აჩვენებს ტემპერატურას და სხვა პარამეტრებს.

- შეცდომების კოდები შეიძლება გამოჩნდეს ეკრანზე, როგორც ქვემოთ:

F1: ძაბვის უკმარისობა

F2: ვენტილატორის მიმდინარე უკმარისობა

F3: კომპრესორის დაწყების შეცდომა

F4: კომპრესორის მინიმალური სიჩქარის უკმარისობა

F5: კონტროლერის ტემპერატურის შეცდომა

E0: სენსორის წრე შეწყდა

E1: სენსორის მოკლე ჩართვა

LCD დისპლეი საშუალებას გაძლევთ დააყენოთ ტემპერატურა -20°C -დან $+20^{\circ}\text{C}$ -მდე. მოწყობილობის შიგნით მიღწეული რეალური ტემპერატურა დამოკიდებულია გარე პირობებზე. მაგალითად, $+25^{\circ}\text{C}$ გარემოს ტემპერატურაზე, მოწყობილობის შიგნით მიღწეული ყველაზე დაბალი ტემპერატურაა -20°C . მოწყობილობას არ აქვს გათბობის ფუნქცია.

შენიშვნა: თუ სისტემა გაუმართავია, ჯერ შეამოწმეთ არის თუ არა ბატარეის ძაბვა სწორი. თუ ბატარეის ძაბვა სწორია, დაელოდეთ 3 წუთი მაცივრის ჩართვამდე. თუ მოწყობილობა კვლავ გაუმართავს ფუნქციონირებას მოწყობილობის გადატვირთვის შემდეგ, დაუკავშირდით სერვისის დახმარებისთვის.

ტემპერატურის საერთო პარამეტრები შენახვისთვის:

- ღვინოები ($+6^{\circ}\text{C}$ -დან $+18^{\circ}\text{C}$ -მდე)
- ვაჭინები, ინსულინი ($+2^{\circ}\text{C}$ -დან -8°C -მდე)
- ხილი (4°C -დან -6°C -მდე)
- სასმელები (2°C -დან -5°C -მდე)
- ხორცი (-10°C)
- ნაყინი (-15°C)

ფრთხილად იყავით, თუ გსურთ წამლების შენახვა მაცივარში, სანამ მოწყობილობაში შედგებით, საკვები უნდა იყოს შეფუთული ამ მიზნით განკუთვნილ კონტეინერებში/ჩანთებში.

დასუფთავება და მოვლა

ყოველთვის გამორთეთ მოწყობილობა გაწმენდის წინ.

გაწმინდეთ რბილი, მშრალი ქსოვილით რბილი სარეცხი საშუალებების გამოყენებით. არ გამოიყენოთ ქიმიური გამშენებლები, რადგან მათ შეუძლიათ გამოიწვიონ მოწყობილობის მუდმივი დაზიანება ან დეფორმაცია.

დიაგნოსტიკა

მიჰყევით ქვემოთ მოცემულ პრობლემების მოგვარების სახელმძღვანელოს, რომ მოაგვაროთ საერთო პრობლემები.

პრობლემა I: მოწყობილობა საერთოდ არ მუშაობს და არ აჩვენებს დენის ნიშანს.

შესაძლო მიზეზი 1: მოწყობილობა არ იღებს ენერჯიას.

შესაძლო მიზეზი 1: დარწმუნდით, რომ მოწყობილობა დაკავშირებულია.

შესაძლო მიზეზი 2: არასაკმარისი სიმძლავრე.

გამოსავალი შესაძლო მიზეზი 2: გადაიტანეთ მოწყობილობა სხვა განყოფილებაში. შეამოწმეთ ამომრთველი. (მიმდინარე გათავაშების დასადგენად იხილეთ დანაყოფის უკანა მხარეს).

შესაძლო მიზეზი 3: DC დენის კაბელი

გამოსავალი შესაძლო მიზეზისთვის 4: შეამოწმეთ მოწყობილობა სხვა ელექტრომომარაგებით, როგორცაა სხვა ავტომობილი ცნობილი მოქმედი DC განყოფილებით.

შესაძლო მიზეზი 4: გათიშული კაბელები.

შესაძლო მიზეზის გამოსავალი 5: დაუკავშირდით მომხმარებელთა მომსახურებას.

პრობლემა II: მოწყობილობა გამოსცემს უცნაურ ხმებს.

შესაძლო მიზეზი 1: მოწყობილობა არ არის დონზე.

გამოსავალი 1: გადაიტანეთ მოწყობილობა ბრტყელ, ჰორიზონტალურ ზედაპირზე.

პრობლემა III: მოწყობილობა გამოსცემს ხმამაღალ, უწყვეტ მეტალის დაწკაპუნებას.

შესაძლო მიზეზი 1: მოწყობილობა შეიძლება გვერდით იყო გაგზავნილი.

გამოსავალი 1: გამორთეთ მოწყობილობა. დატოვეთ მოწყობილობა ბრტყელ ზედაპირზე მინიმუმ 24 საათის განმავლობაში და გადატვირთეთ იგი.

შესაძლო მიზეზი 2: კომპრესორის დეფექტი

გამოსავალი 2: დაუკავშირდით მომხმარებელთა მომსახურებას.

პრობლემა IV: მოწყობილობა მუშაობს გარკვეული ხნით და შემდეგ აკავშირებს დენის კაბელს ან ამოშრთავს.

შესაძლო მიზეზი: მოწყობილობა შეიძლება იყოს ჩართული გამოსასვლელში, რომელიც არ აწვდის ადეკვატურ დენს.

გამოსავალი: დაუკავშირდით ელექტრიკოსს, თუ მოწყობილობა მუშაობს სხვა ოთახში ან წრეში.

პრობლემა V: მართვის პანელის განათება შემთხვევით ციმციმებს.

შესაძლო მიზეზი: მოწყობილობას შეიძლება ჰქონდეს დაზიანებული მართვის პანელი.

გამოსავალი: გადატვირთეთ თქვენი მოწყობილობა და თუ პრობლემა შენარჩუნებულია, დაუკავშირდით მომხმარებელთა მხარდაჭერას.

საკითხი VI: მოწყობილობას შეექმნა HH შეცდომა

შესაძლო მიზეზი: გარემოს ტემპერატურა გადააჭარბა 40°C-ს.

გამოსავალი: გადატვირთეთ თქვენი მოწყობილობა და თუ პრობლემა შენარჩუნებულია, დაუკავშირდით მომხმარებელთა მხარდაჭერას.

პრობლემა VII: მოწყობილობას აქვს OC შეცდომა.

შესაძლო მიზეზი: აღმოჩენილია თერმოსტატის შეცდომა.

გამოსავალი: გადატვირთეთ თქვენი მოწყობილობა და თუ პრობლემა შენარჩუნებულია, დაუკავშირდით მომხმარებელთა მხარდაჭერას.

პრობლემა VIII: მოწყობილობას შეექმნა SC შეცდომა

შესაძლო მიზეზი: გამოვლინდა მოკლე ჩართვა თერმოსტატში.

გამოსავალი: გადატვირთეთ თქვენი მოწყობილობა და თუ პრობლემა შენარჩუნებულია, დაუკავშირდით მომხმარებელთა მხარდაჭერას.

პრობლემა IX: მოწყობილობა იკვებება, მაგრამ კომპრესორი არ მუშაობს.

შესაძლო მიზეზი 1: გარემოს ტემპერატურა ძალიან დაბალია.

გამოსავალი 1: გადაიტანეთ მოწყობილობა თბილ ადგილას.

შესაძლო მიზეზი 2: გათიშული კაბელი.

გამოსავალი 2: დაუკავშირდით მომხმარებელთა მომსახურებას.

სიფრთხილე: ხანძრის რისკი/აღლებადი მასალები



ტექნიკური მონაცემები

მოცულობა: 40 ლიტრი

ენერჯის წყარო:

- DC 12V / 24V – მანქანის სიგარეტის სანთებელა ბუდე
- 230V ~50/60Hz – ქსელის ჩართვა გარე კვების წყაროს გამოყენების შემდეგ (არ შედის)

მაცივარი: R600a / 40 გ

კლიმატის კლასი: S/SN

იზოლაცია: C5H10

ნომინალური ენერჯის მოხმარება: 45 W

მაქსიმალური ნომინალური დენი: 3.7A



გარემოს გულისთვის. მუყაოს შეფუთვა და პოლიეთილენის (PE) პარკები უნდა ჩაყარონ შესაბამის კონტეინერებში, რომლებიც განკუთვნილია მუნიციპალური ნარჩენების შერჩევითი შეგროვებისთვის მათი აღწერილობის შესაბამისად. თუ მოწყობილობაში არის ბატარეები, ისინი უნდა მოიხსნას და ცალკე გადაიტანონ შეგროვებისა და შენახვის პუნქტში. გამოყენებული მოწყობილობა უნდა დაბრუნდეს შესაბამის შეგროვებისა და შენახვის ადგილას, რადგან მასში შემავალმა სახიფათო ნივთიერებებმა შეიძლება საფრთხე შეუქმნას ჯანმრთელობას და გარემოს. პროდუქტზე მარკირება მიუთითებს, რომ მოწყობილობა არ უნდა გადაყაროს მუნიციპალურ ნარჩენებთან ერთად. ელექტრო მოწყობილობების ნარჩენები არის ნარჩენები, რომლებიც შეიცავს ადამიანის, ცხოველებისა და გარემოსთვის საზიანო ნივთიერებებს. ამ ნივთიერებებმა შეიძლება გამოიწვიოს ნიადაგის, წყლის ან ჰაერის დაზიანება და, ამრიგად, შეიძლება შევიდეს ადამიანის ორგანიზმში და გამოიწვიოს ჯანმრთელობის მრავალი დაავადება, როგორცაა: მხედველობის, სმენის და მეტყველების დარღვევა. ასევე შეიძლება გამოიწვიოს თირკმელების, ღვიძლისა და გულის დაზიანება. და იწვევს კანის დაავადებებს. მაგნე ნივთიერებებმა შესაძლოა უარყოფითი გავლენა მოახდინოს რესპირატორულ და რეპროდუქციულ სისტემებზე და გამოიწვიოს კიბო. საჩივარ ნიადაგებზე მზარდი მცენარეების და მათგან მიღებული პროდუქტების მოხმარებამ შეიძლება გამოიწვიოს ზემოაღნიშნული ჯანმრთელობის ზემოქმედების რისკი. **არ ჩააგდოთ მოწყობილობა მუნიციპალური ნარჩენების კონტეინერებში!!**

სერვისი თუ გსურთ შეიძინოთ სათადარიგო ნაწილები ან შეატკობინოთ რაიმე საჩივრებს, გთხოვთ, დაუკავშირდეთ უშუალოდ გამყიდველს, რომელმაც გასცა ქვითარი.

ADLER

EUROPE



COFFEE GRINDER
AD 4446



TOASTER 2 SLICE
AD 3214



HAND BLENDER
Ad4625



MIXER WITH BOWL
AD 4222



AIR FRYER OVEN
AD 6309



MICROWAVE OVEN
AD 6205



WAFFLE MAKER
AD 3049



KITCHEN SCALE
AD 3170



ELECTRIC KETTLE
AD 1286



SANDWICH MAKER
AD 3043



PORTABLE FRIDGE
AD 8077



Electric Oven With HOB
AD 6020



FAN HEATER
AD 7728



MOSQUITO LAMP
AD 7938



HEATED PAD
AD 7433



ORAL IRRIGATOR
AD 2176



AFTER SALE SERVICE NOTICE

GB	If you want to buy spare parts or make any complaints, please contact the seller who issued the receipt directly.
DE	Wenn Sie Ersatzteile kaufen oder reklamieren möchten, wenden Sie sich bitte direkt an den Verkäufer, der die Quittung ausgestellt hat.
FR	Si vous souhaitez acheter des pièces de rechange ou faire des réclamations, veuillez contacter directement le vendeur qui a émis le reçu.
ES	Si desea comprar repuestos o presentar alguna queja, comuníquese directamente con el vendedor que emitió el recibo.
PT	Se você quiser comprar peças de reposição ou fazer alguma reclamação, entre em contato diretamente com o vendedor que emitiu o recibo.
LT	Jei norite įsigyti atsarginių dalių ar pateikti nusiskundimą, susisiekiite tiesiogiai su kvitą išdavusiu pardavėju.
LV	Ja vēlaties iegādāties rezerves daļas vai izteikt pretenzijas, lūdzu, sazinieties tieši ar pārdevēju, kurš izsniedza čeku.
EST	Kui soovite osta varuosi või esitada pretensioone, võtke otse ühendust kvitungi väljastanud müüjaga.
HU	Ha pótalkatrészeket szeretne vásárolni, vagy panaszt szeretne tenni, forduljon közvetlenül a bizonylatot kiállító eladóhoz.
BS	Ako želite kupiti rezervne dijelove ili napraviti reklamaciju, obratite se direktno prodavaču koji je izdao račun.
RO	Если вы хотите купить запчасти или предъявить какие-либо претензии, пожалуйста, свяжитесь напрямую с продавцом, выдавшим чек.
CZ	Chcete-li zakoupit náhradní díly nebo uplatnit jakoukoli reklamaci, kontaktujte přímo prodejce, který účtenku vystavil.
RU	Если вы хотите приобрести запасные части или подать претензии, пожалуйста, свяжитесь напрямую с продавцом, выдавшим чек.
GR	Εάν θέλετε να αγοράσετε ανταλλακτικά ή να κάνετε οποιαδήποτε παράπονα, επικοινωνήστε απευθείας με τον πωλητή που εξέδωσε την απόδειξη.
MK	Ako sakate da kupite rezervni delovi ili da podnesete kakvi bilo poplaki, kontaktirajte direktno sa prodavacem koji je izdao smetku.
NL	Als u reserveonderdelen wilt kopen of een klacht wilt indienen, neem dan rechtstreeks contact op met de verkoper die de bon heeft afgegeven.
SL	Če želite kupiti nadomestne dele ali vložiti reklamacije, se obrnite neposredno na prodajalca, ki je izdal račun.
FI	Jos haluat ostaa varaosia tai tehdä valituksia, ota yhteyttä suoraan kuitin antaneeseen myyjään.
PL	W przypadku chęci zakupu części zamiennych lub zgłoszenia ewentualnych reklamacji należy kontaktować się bezpośrednio ze sprzedawcą, który wystawił paragon.
IT	Se desideri acquistare pezzi di ricambio o presentare reclami, contatta direttamente il venditore che ha emesso la ricevuta.
HR	Se desiđeri acqđistare peziđi di ricambio o presentare reclami, contatta direttamente il venditore che ha emesso la ricevuta.
SV	Om du vill k�pa reservdelar eller g�ra n�gra reklamationer, v�nligen kontakta s�ljaren som utf�rdat kvittot direkt.
DK	Hvis du �nsker at k�be reservedele eller reklamere, bedes du kontakte s�lgeren, som har udstedt kvitteringen, direkte.
UA	Якщо ви хочете придбати запасчастини або подати будь-які претензії, зверніться безпосередньо до продавця, який видав чек.
SR	Ako želite da kupite rezervne delove ili da uložite reklamaciju, obratite se direktno prodavcu koji je izdao račun.
SK	Ak si chcete kúpiť náhradné diely alebo uplatniť akúkoľvek reklamáciu, kontaktujte priamo predajcu, ktorý účtenku vystavil.
AR	أو غيار قطع اءرش في ترغب كنتاذل شكوى أي تقديم، لاصتنا فيرجى مباشرتاً لاصنا ردمصاً يذلا بالباىء
BG	Ako iscate da zakupite rezervni chasti ili da napravite oplakvanija, moļa, svържете se direktno s prodavach, който e izdal kasovata belejka.
AZ	Ehtiyat hiss�l�ri almaq v� ya h�r hansı şıkay�t etm�k ist�yirsinizs�, q�bzı ver�n satıcı ilə birbaşa �laq� saxlayın.
ALB	N�s� deshironi t� blihi pjese kembimi ose te beni ndonj� ankese, j I temi kontaktoni drejtperdrejt shitesin q� ka lesh ar lat ren.

KARTA GWARANCYJNA

WARUNKI GWARANCJI obowiązują na terenie Rzeczypospolitej Polskiej

Adler Sp. z o.o. ul. Orłowa 2a 01-237 Warszawa zapewnia Użytkownika o dobrej jakości sprzętu, na który wydana jest niniejsza karta gwarancyjna i udziela 24 miesięcznej gwarancji, która liczy się od daty zakupu sprzętu. Usługi gwarancyjne świadczone są po okazaniu prawidłowo wypełnionej karty gwarancyjnej. Wady lub uszkodzenia sprzętu ujawnione w okresie gwarancji usuwane będą bezpłatnie przez Serwis Centralny. W przypadku zakupu sprzętu przez przedsiębiorcę (faktura VAT) okres gwarancji wynosi 12 miesięcy.

Powyższy zapis nie dotyczy jednoosobowych działalności gospodarczych, o ile rodzaj zakupionego sprzętu, nie jest związany z profilem prowadzonej działalności gospodarczej – weryfikacja w CEIDG.

W przypadku wymiany rzeczy na nową, albo po dokonaniu istotnej naprawy, okres gwarancji biegnie na nowo od chwili dostarczenia klientowi rzeczy wolnej od wad, lub zwrócenia rzeczy naprawionej. Jeżeli gwarant wymienił część rzeczy, przepis powyższy stosuje się odpowiednio do części wymienionej. Gwarant zobowiązuje się pokryć koszty dostarczenia rzeczy do serwisu na adres wskazany w karcie gwarancyjnej. Jednakże uprawniony z gwarancji powinien zachować rozsądek, wybierając środek transportu. Uprawnionemu z gwarancji nie przysługuje od gwaranta zwrot kosztów dostarczenia towaru – rzeczy do naprawy gwarancyjnej, przekraczający ekonomicznie uzasadnione koszty przewozu.

UWAGA: Sprzęt przeznaczony jest wyłącznie do użytku domowego. Naprawami gwarancyjnymi nie są objęte czynności związane z odkamienianiem, konserwacją, czyszczeniem urządzenia oraz części i akcesoria ulegające zużyciu przy normalnym użytkowaniu. Gwarancja nie obejmuje mechanicznych uszkodzeń sprzętu oraz wad i uszkodzeń wynikłych wskutek:

- nie właściwego lub niezgodnego z instrukcją użytkowania, przechowywania i konserwacji;
- ingerencji nieautoryzowanego serwisu, samowolnych napraw, przeróbek i zmian konstrukcyjnych;
- użycia niewłaściwych materiałów eksploatacyjnych.
- uszkodzeń mechanicznych, termicznych, chemicznych i powstałych na skutek przepięcia w sieci.
- karta gwarancyjna jest nieważna bez daty zakupu, pieczęci sprzedającego i kopii dokumentu zakupu.
- gwarancją nie są objęte elementy eksploatacyjne i akcesoria w tym: elementy szklane (np. dzbanki, talerze), sznury przyłączeniowe, sieciowe, żarówki, baterie, nożyki i folie do urządzeń tnących, nasadki miksujące, trzepaki, mieszaki, ssawkoszczotki, rury, węże, kubki miksujące, głowice tnące i sita.

Reklamowany sprzęt jest dostarczany do Serwisu Centralnego przez Klienta w stanie kompletnym i odpowiednio zabezpieczony na czas transportu. Po dokonanej naprawie reklamowany sprzęt odbierany jest z Serwisu Centralnego przez Klienta.



adnotacje serwisu:

SERWIS CENTRALNY
01-237 Warszawa ul.Orłowa 2A
tel. 728 - 595 - 006
serwis@adler.com.pl www.adler.com.pl

.....
(data sprzedaży)
.....
(pieczęć sklepu i podpis sprzedawcy)

Termin usunięcia wady może zostać wydłużony o czas potrzebny do importu niezbędnych części, nie dłuższy niż 30 dni roboczych. W każdym takim przypadku warsztat serwisowy powiadomi klienta o wydłużeniu terminu naprawy gwarancyjnej. W związku z koniecznością sprowadzenia części zamiennych i poinformuje o nowym terminie usunięcia wady.

W przypadku stwierdzenia usterki należy ją zgłosić w punkcie sprzedaży lub w Serwisie Centralnym, ul. Orłowa 2A, 01-237 Warszawa, tel. 728-595-006 lub e-mail: serwis@adler.com.pl.

W zgłoszeniu proszę podać swój adres, nr telefonu i opis usterki. Do reklamacji konieczne jest dołączenie kopii dokumentu zakupu. Gwarancja nie wyłącza ani nie ogranicza oraz nie zawieszka uprawnień kupującego wynikających z przepisów o rękojmi za wady rzeczy sprzedanej.

W trosce o środowisko..

Opakowania kartonowe oraz worki polietylenowe (PE) należy wrzucać do odpowiednich pojemników przeznaczonych do selektywnej zbiórki odpadów komunalnych zgodnie z ich opisem. Jeżeli w urządzeniu znajdują się baterie, należy je wyjąć i osobno oddać do punktu zbierania i składowania. Zużyte urządzenia należy oddać do odpowiedniego punktu zbierania i składowania, gdyż znajdujące się w nim niebezpieczne substancje mogą stanowić zagrożenie dla zdrowia i środowiska. Oznaczenie umieszczone na produkcie wskazuje, że urządzenia nie należy wyrzucać do pojemnika z odpadami komunalnymi.

Zużyty sprzęt elektryczny, to odpady, które zawierają substancje szkodliwe dla ludzi, zwierząt i środowiska. Substancje te mogą doprowadzić do zanieczyszczenia gleby, wody lub powietrza, a poprzez to mogą się dostać do organizmu człowieka i doprowadzić do licznych dolegliwości zdrowotnych, takich jak: zaburzenia wzroku, słuchu, mowy, mogą również doprowadzić do uszkodzenia nerek, wątroby i serca, oraz wywołać choroby skóry. Substancje szkodliwe mogą mieć również niekorzystny wpływ na układ oddechowy i rozrodczy oraz doprowadzić do zamian nowotworowych. Spożycie roślin rosnących na skażonych glebach, oraz produktów powstałych z nich może grozić w/w skutkami zdrowotnymi.